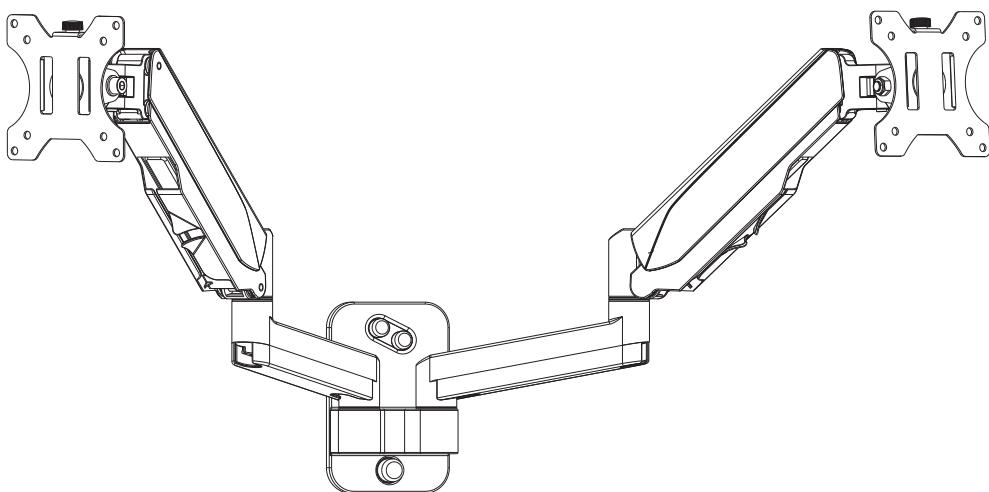

Dual Monitor Wall Mount

Instruction Manual



75x75mm
100x100mm



(2.2~17.6 lbs)×2
(1~8 kg)×2

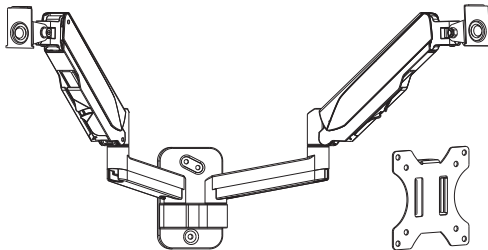
⚠ WARNING!

If you have any confusion or are not quite sure about the installation, please do not hesitate to ask for our help.

Before assembly, please check and make sure all necessary accessories are included and undamaged. Improper installation, such as use the product for monitors over its load capacity or for any purpose not explicitly specified, may cause damage or serious injury. We would not be liable for any damage or injury caused by improper mounting or inappropriate use. **DO NOT install into drywall alone.**

The kit contains small items that could be choking hazards if swallowed. Please keep them OUT OF REACH OF CHILDREN UNDER 3 YEARS OLD. ADULT SUPERVISION IS REQUIRED.

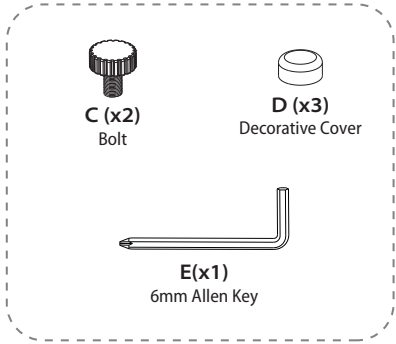
PACKAGE CONTENTS



A (x1)
Arm Assembly



B (x2)
VESA Plate



C (x2)
Bolt

D (x3)
Decorative Cover

E (x1)
6mm Allen Key



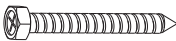
M-A (x4)
M4x12mm



M-B (x4)
M4x25mm



M-C (x4)
Spacer H10mm



W-A (x3)
Lag Bolt M6x55mm



W-B (x3)
Anchor Ø9.6x43mm



W-C (x3)
Washer

NOTE: Not all hardware included will be used.

Installation Tools (Not Included)

Wood Stud Installation



Stud Finder



Awl



Wood Drill
ø3/16" (ø4.5mm)

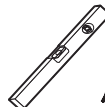
Concrete Installation



Concrete Drill
ø3/8" (ø10mm)



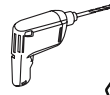
Hammer



Level



Pencil



Drill



Socket Wrench



Screwdriver

ASSEMBLY STEPS



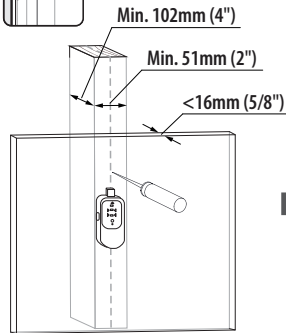
WARNING

DO NOT install into drywall alone.

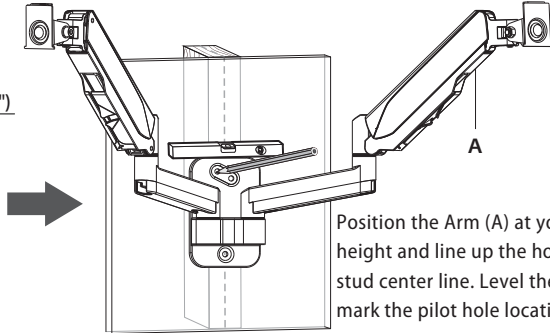
STEP 1: Attach Arm to Wall



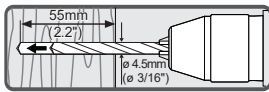
OPTION A: Wood Stud Installation



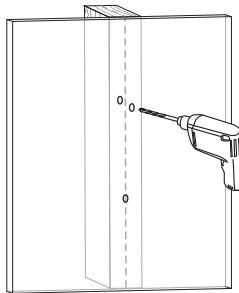
Locate your studs. Verify and mark the center of the stud by finding the stud edges using awl and stud finder.



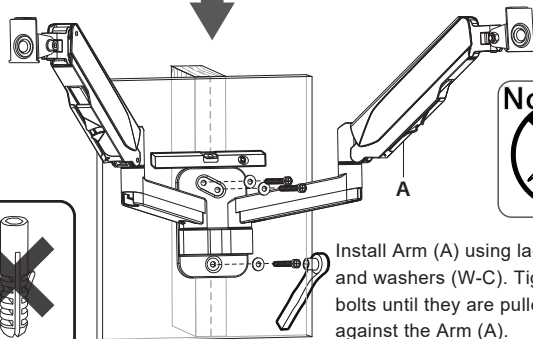
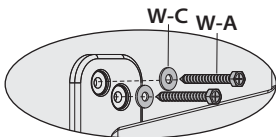
Position the Arm (A) at your desired height and line up the holes with your stud center line. Level the Arm (A) and mark the pilot hole locations.



Note: Pilot holes should be drilled into a depth of 55mm (2.2")



Drill pilot holes using a $\text{ø}3/16"$ ($\text{ø}4.5 \text{ mm}$) diameter drill bit.



Caution:

Do not use anchor in drywall or wood!

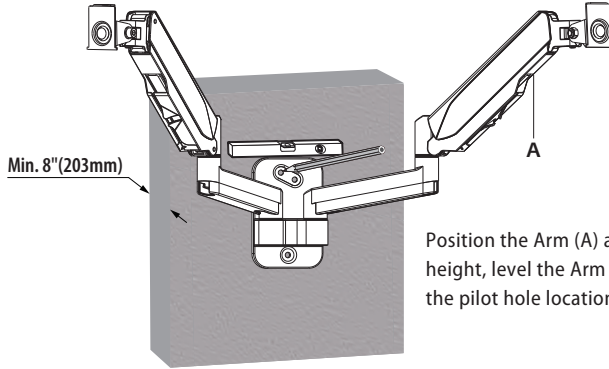


Install Arm (A) using lag bolts (W-A) and washers (W-C). Tighten the lag bolts until they are pulled firmly against the Arm (A).

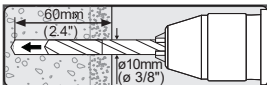
STEP 1: (Continued)



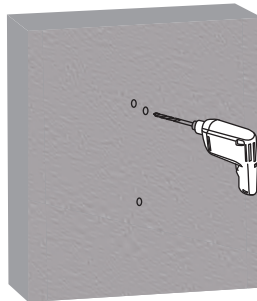
OPTION B: Solid Concrete Wall Installation



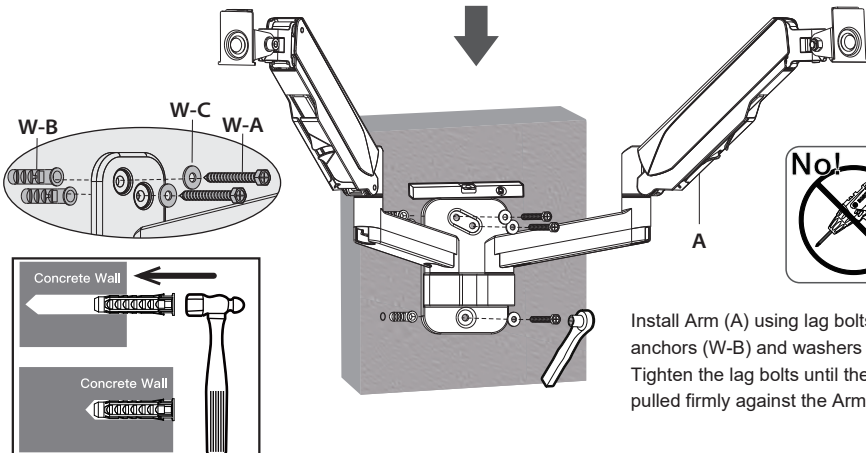
Position the Arm (A) at your desired height, level the Arm (A) and mark the pilot hole locations.



Note: Pilot holes should be drilled into a depth of 60mm (2.4")



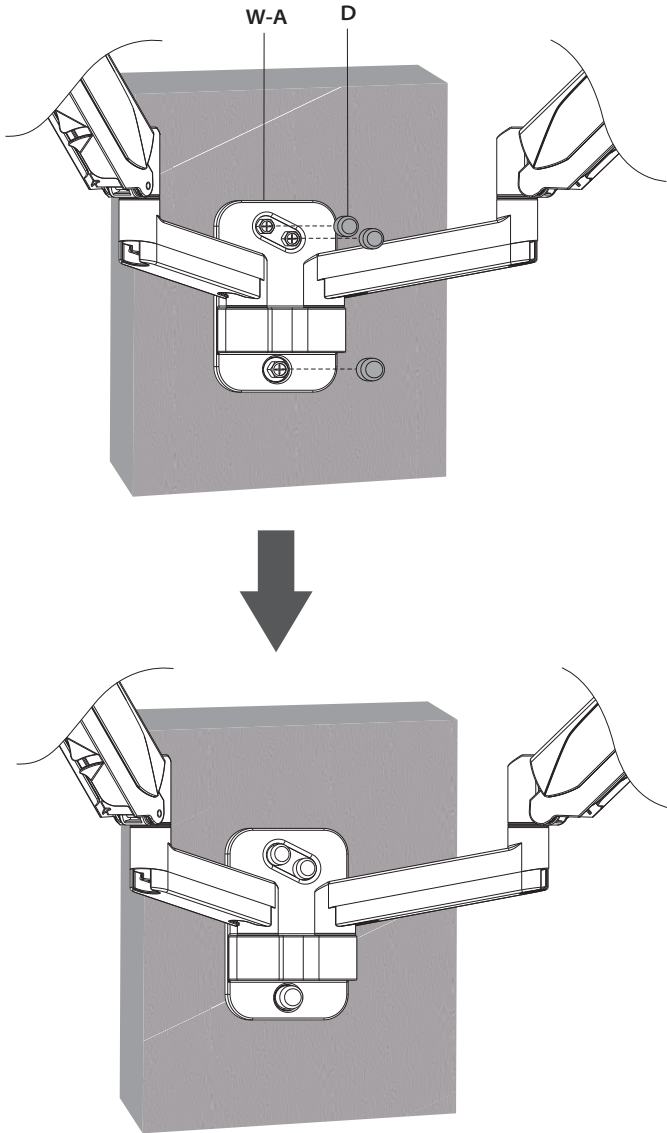
Drill pilot holes using a $\phi 3/8"$ ($\phi 10$ mm) diameter drill bit.



Install Arm (A) using lag bolts (W-A), anchors (W-B) and washers (W-C). Tighten the lag bolts until they are pulled firmly against the Arm (A).

STEP 2: Attach Decorative Cover

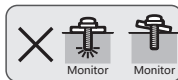
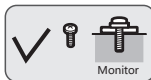
Attach Decorative Covers (D) to Lag Bolts (W-A).



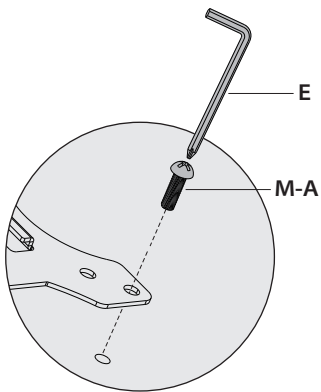
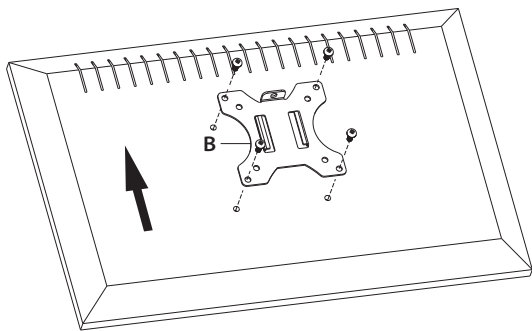
STEP 3: Attach Monitor

OPTION A: Flat Back Monitor

Attach the VESA plate (B) to the back of monitor and secure it by using a 6 mm Allen Key (E) to tighten screws (M-A).

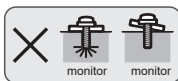


! Do not tighten the screws excessively or your monitor might be damaged.

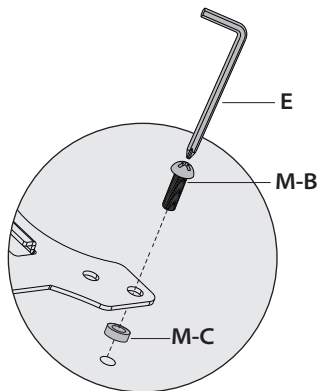
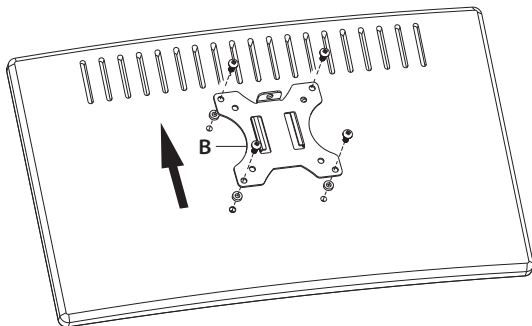


OPTION B: Curved Back Monitor

Attach the VESA plate (B) to the back of monitor and secure it by using a 6 mm Allen Key (E) to tighten screws (M-B) along with spacers (M-C).

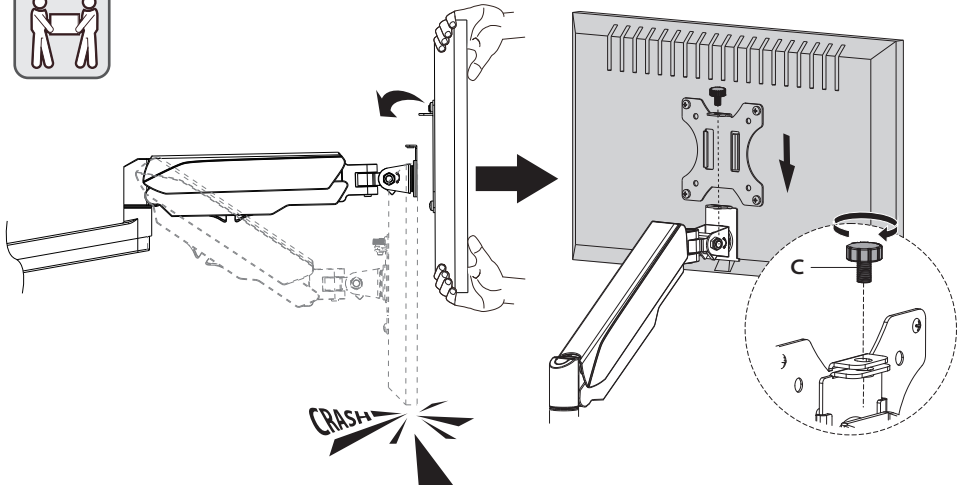


! Do not tighten the screws excessively or your monitor might be damaged.



STEP 4: Hang Monitor

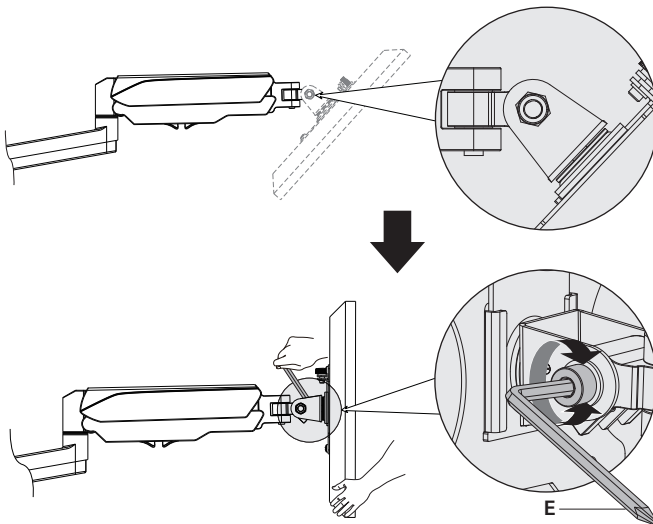
Slide the monitor onto the head of swivel arm, install the security bolt (C). Make sure the security bolt is installed before you rotate the monitor.



⚠ Important Notice:

The gas spring is pre-set to minimum tension. Once the monitor is hung on, hold the monitor with both hands and **DO NOT** let go suddenly or immediately. Instead, leave the monitor in a slow & gentle way while observing whether the arms will fall down wildly.

⚠ Guideline to adjust monitor tilting angle.



Problem:

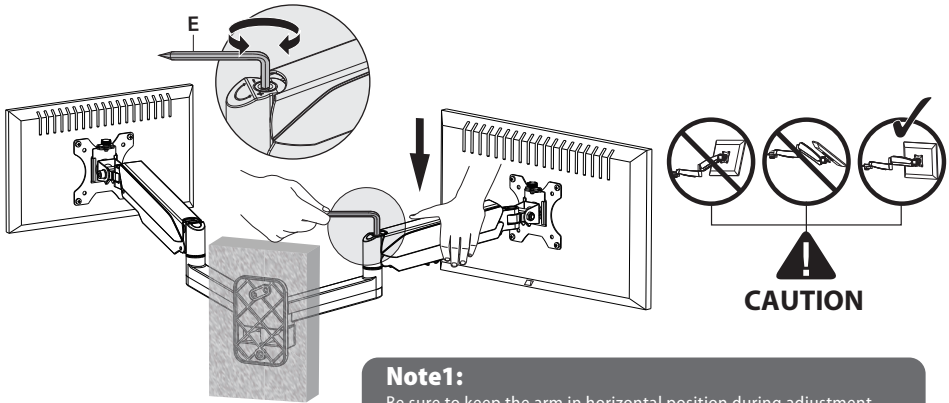
If monitor face down

Solution:

1. Loosen the tilting bolt.
2. Hold the bottom of monitor with one hand and adjust to determine your desired tilt angle.
3. Retighten the tilting bolt to fix the intended angle.

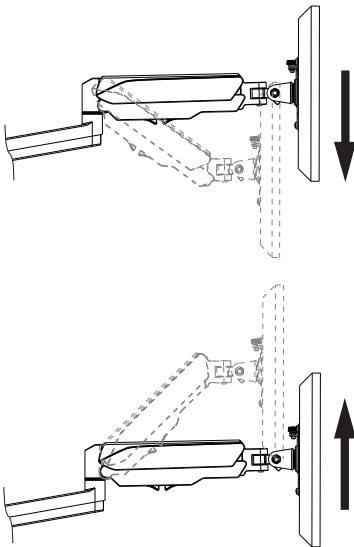
STEP 5: Adjust Tension

For intended functioning of the mount, you may need to adjust the tension of Arm (A) in accordance with your monitor weight by 6 mm Allen Key (E).



Note1:

Be sure to keep the arm in horizontal position during adjustment. Or else it would be difficult to adjust the mount or damage the mount.



Situation 1: Arm falls down

Upper Arm with monitor falls down and fails to stay where intended.

Solution:

Turn the inside screw counterclockwise(“+”direction) to increase gas spring tension until the arm can stay as intended.



Situation 2: Arm rises up

Upper Arm with monitor rises up and fails to stay where intended.

Solution:

Turn the inside screw clockwise(“-”direction) to decrease gas spring tension until the arm can stay as intended.

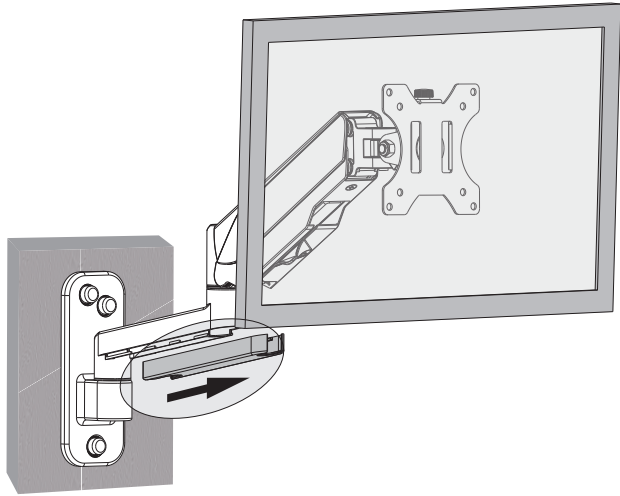
Note2:

For how many circles the screw should be turned, please refer to the table below.

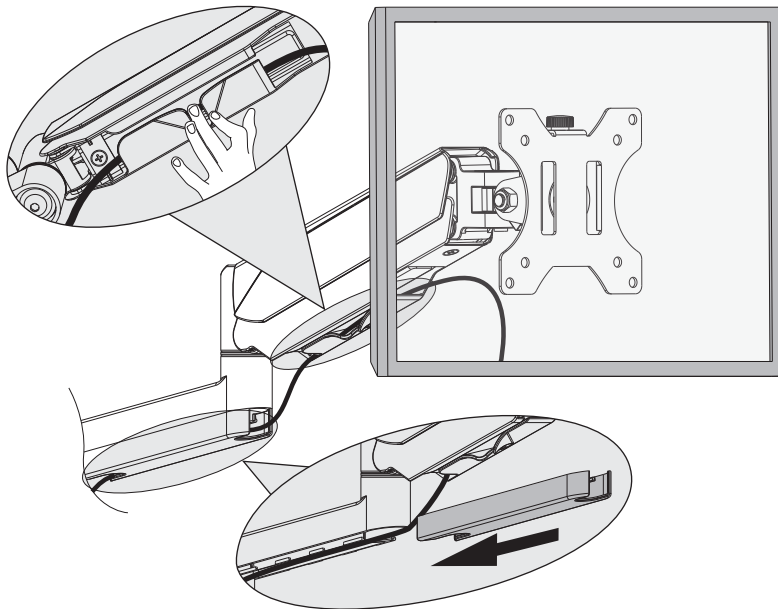
Monitor Weight	2kg	3kg	4kg	5kg	6kg	7kg	8kg
Circles (AT LEAST)	1	2	4	6	8	9	12

STEP 6: Cable Management

Remove bottom plastic covers from gas spring arm as shown in diagram.



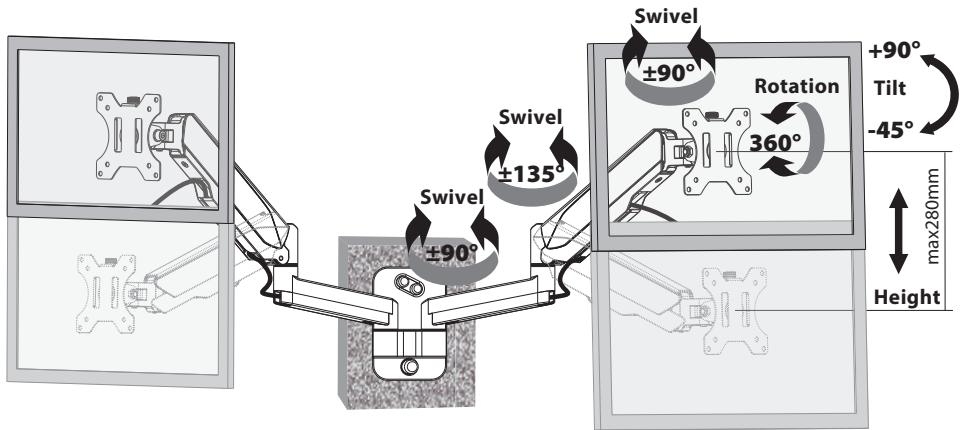
Run cables from monitor through bottom of gas spring arm.
Reattach plastic covers as shown in diagram.



Adjust as Desired

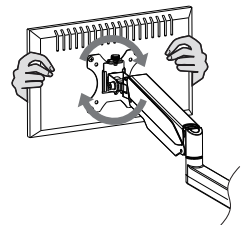
Adjust monitor position and rotation.

- Tilt
- Swivel
- Rotation
- Height

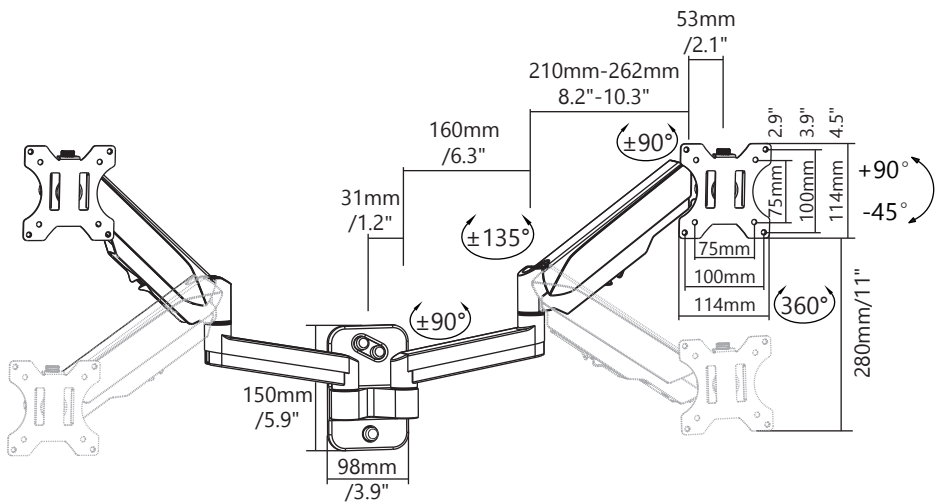


Note: To ensure stability, the tightness of the rotating axis has been preset, so it would be kind of difficult to rotate the VESA plate.

Suggestion: Please attach the monitor first, then hold the sides of it with both hands, and rotate vigorously. If that doesn't work out, please do not hesitate to ask for our help.



Product Dimensions





CAUTION AND MAINTENANCE:

- Never allow children to climb, stand, hang, or play on any part of monitor or stand.
- This product is intended for indoor use only. Using this product outdoors could lead to product failure and personal injury.
- Check that the bracket is secure and safe to use at regular intervals (at least every three months).