

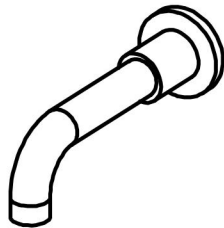
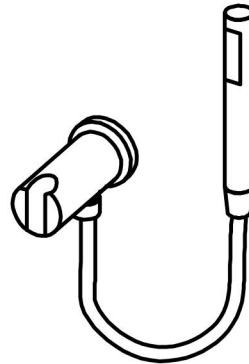
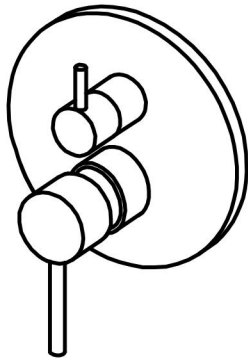
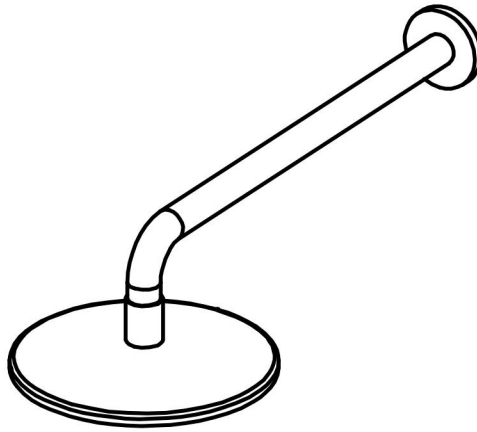


User's Manual



INSTALLATION INSTRUCTIONS

Installation Manual



RB1084

IAPMO RESEARCH AND TESTING, INC.
5001 East Philadelphia Street, Ontario, California 91761-2816 • USA • 909-472-4100 • 909-472-4244 • www.iapmort.org

CERTIFICATE OF LISTING

 **C** This certificate is not evidence of current listing. To verify listing status, visit the IAPMO RAT Product Listing Directory at pid.iapmo.org

Effective Date: December 2019 -Rev. 2/24/2020- Void After: December 2024
Product: Flexible Water Connectors File No. 5111

Issued To: Fanaki Group Inc.
Mechanical & Electrical
Industrial Zone,
Yuhuan County,
Yuhuan 317400, ZHEJIANG
China

Identification: Products shall be marked with manufacturer's name or trademark, a statement "For use with water in accessible locations only." The product shall also bear the cUPC® certification mark. Markings shall be by means of either a permanent mark on the product, a label on the product or a tag attached to the product.

Characteristics: Flexible water connectors manufactured in various sizes, lengths and metal and fittings for hot or cold water applications that consist of an inner tube, which may or may not have an outer braided cover. Connectors are to be installed for use in accessible locations only. To be installed in accordance with the manufacturer's instruction, and the latest edition of the Uniform Plumbing Code and National Plumbing Code of Canada.

Products listed on this certificate have been tested by an IAPMO RAT recognized laboratory. This recognition has been granted based upon the

Chairman, Product Certification Committee CEO, The IAPMO Group

This listing is based upon the test data of the results indicated on the Effective Date and Void After Date shown above. Any change in material, manufacturing process, marking or design without testing first obtained the approval of the Product Certification Committee, or any extension of manufacturing with applicable code and standards, shall be subject to the approval of the listing. Production of or reference to this form for advertising purposes may be made only by specific, written permission of IAPMO Research and Testing, Inc. Any alteration of this certificate could be grounds for revocation of the listing. This document shall be reproduced in its entirety.

IAPMO RESEARCH AND TESTING, INC.
5001 East Philadelphia Street, Ontario, California 91761-2816 • USA • 909-472-4100 • 909-472-4244 • www.iapmort.org

CERTIFICATE OF LISTING

 **C** This certificate is not evidence of current listing. To verify listing status, visit the IAPMO RAT Product Listing Directory at pid.iapmo.org

Effective Date: November 2019 Void After: November 2024
Product: Plumbing Fixture Fittings File No. 10613

Issued To: Aqua Gallery Co., Ltd
11th-13th A10 Block
International Dynamics
Sanitary City, 528000
Foshan,
China

Identification: Plumbing supply fittings complying with this Standard shall be marked with the manufacturer's recognized name, trademark, or other mark or, in the case of private labeling, the name, trademark or other mark of the customer for whom the fitting was manufactured. The marking shall be accomplished by use of a permanent mark or by placing a permanent label on the product. Markings on plumbing supply fittings shall be visible after installation.

Single-handle, single-control, and automatic compensating mixing bath and shower valves shall have identifiable temperature control settings in which the settings are indicated by words ("cold", "warm", "hot", etc.), by numbers, or graphically.

Packages shall be marked with the manufacturer's name, trademark, or other mark as well as the model number or, in the case of private

Chairman, Product Certification Committee CEO, The IAPMO Group

This listing is based upon the test data of the results indicated on the Effective Date and Void After Date shown above. Any change in material, manufacturing process, marking or design without testing first obtained the approval of the Product Certification Committee, or any extension of manufacturing with applicable code and standards, shall be subject to the approval of the listing. Production of or reference to this form for advertising purposes may be made only by specific, written permission of IAPMO Research and Testing, Inc. Any alteration of this certificate could be grounds for revocation of the listing. This document shall be reproduced in its entirety.

IAPMO RESEARCH AND TESTING, INC.
5001 East Philadelphia Street, Ontario, California 91761-2816 • USA • 909-472-4100 • 909-472-4244 • www.iapmort.org

CERTIFICATE OF LISTING

 **C** This certificate is not evidence of current listing. To verify listing status, visit the IAPMO RAT Product Listing Directory at pid.iapmo.org

Effective Date: March 2019 Void After: March 2024
Product: Plumbing Fixture Fittings - Components File No. MC-9703

Issued To: Ningbo Nantai Cartridge Technology Co., Ltd.
Linchou Zone, Chunhui
Fengpu, JIANGSU 215518
China

Identification: Each fitting component shall bear permanent legible markings to identify the manufacturer. This marking shall be the trade name, trademark, or other mark known to identify the manufacturer. The product shall also bear all other markings required by the standards. The marking shall be applied so as to be visible after installation. The product or packaging shall also bear the cUPC® certification mark along with the term "COMPONENT" above.

Characteristics: Plumbing fixture fitting components to be installed in accordance with the manufacturer's instructions and the requirements of the latest edition of the Uniform Plumbing Code.

Products listed on this certificate have been tested by an IAPMO RAT recognized laboratory. This recognition has been granted based upon the Laboratory's compliance to the applicable requirements of ISO/IEC 17025.

Products are in compliance with the following code(s):
Uniform Plumbing Code (UPC®)

Chairman, Product Certification Committee CEO, The IAPMO Group

This listing is based upon the test data of the results indicated on the Effective Date and Void After Date shown above. Any change in material, manufacturing process, marking or design without testing first obtained the approval of the Product Certification Committee, or any extension of manufacturing with applicable code and standards, shall be subject to the approval of the listing. Production of or reference to this form for advertising purposes may be made only by specific, written permission of IAPMO Research and Testing, Inc. Any alteration of this certificate could be grounds for revocation of the listing. This document shall be reproduced in its entirety.

BEFORE INSTALLATION

DESCRIPTION

- Solid brass construction
- Premium finish resist corrosion and tarnishing
- Feature a waterfall spout
- Hand shower with back flow protection
- 60"(1500mm)rubber hose included
- Feature a pressure balance valve
- Suitable for wall mounted rough-in installation


FLOW

- Faucet maximum 4 gpm @ 60 psi
- Hand shower maximum 2 gpm(7.6L/min)

CARTRIDGE

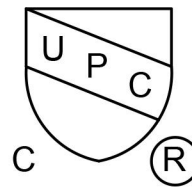
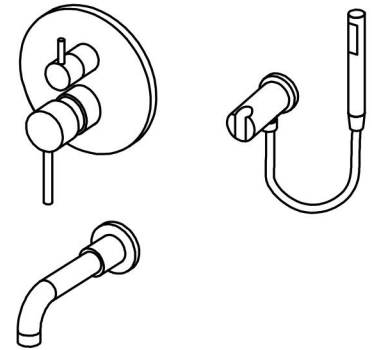
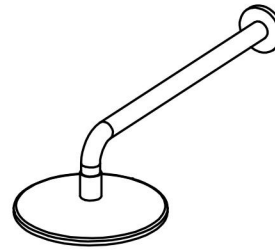
- Ceramic disk cartridge
- Pressure-balanced valve

STANDARDS

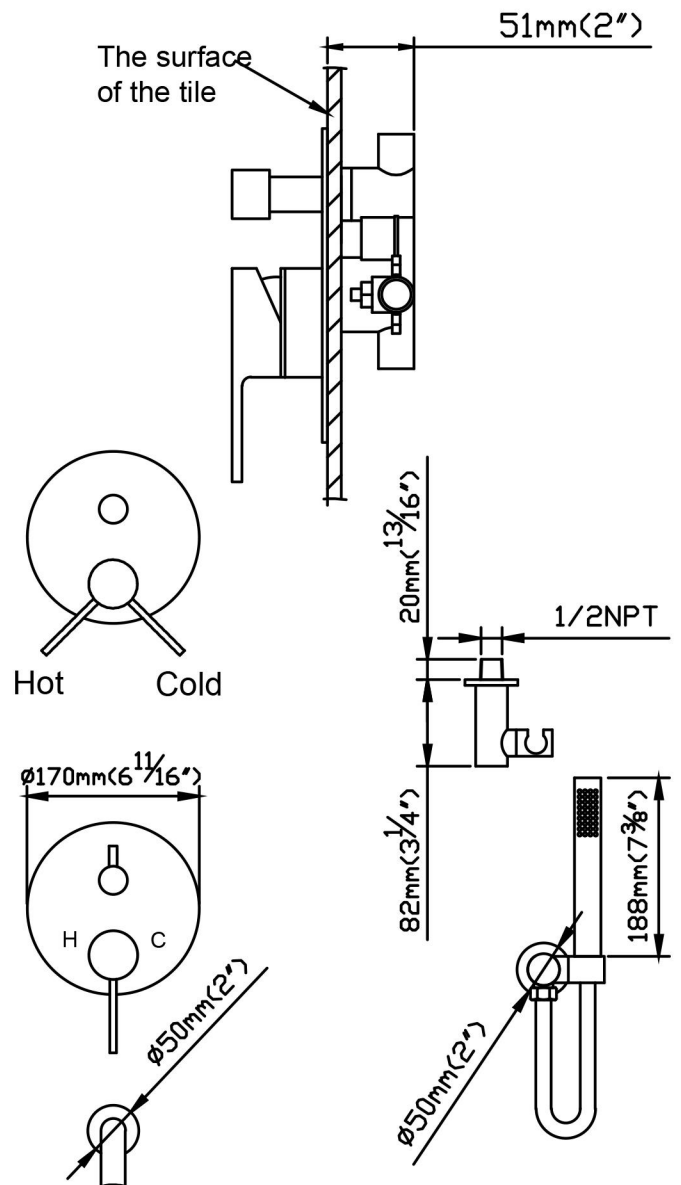
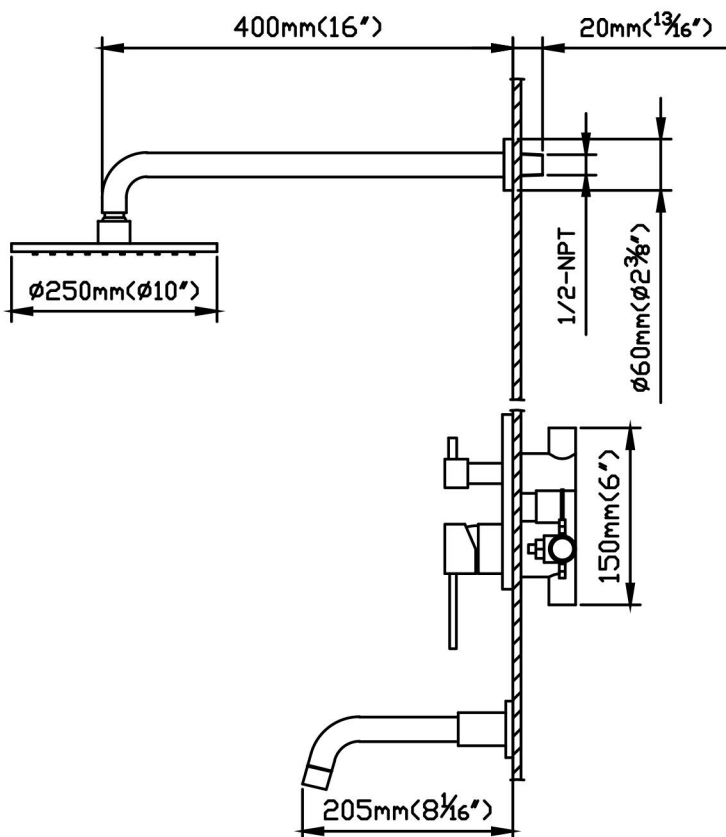
- Certified to cUPC
- Comply with ASME A112.18.1/CSA B125.1
- ADA  for lever handle

WARRANTY

- Lifetime limited warranty against leaks, drips and finish defects from the original date of purchase. (Improper care and cleaning will void the warranty)
- 5-year warranty if used in commercial installations



Wall Mounted Bathtub Faucet
NOTE: THIS FAUCET IS DESIGNED FOR WALL MOUNTED ROUGH-IN INSTALLATION

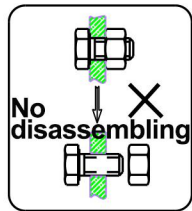


BEFORE INSTALLATION

1. Check the package and confirm all parts are included. If any part is missing or damaged, please contact us.
2. Do not disassemble the main body, as it has been installed & commissioned correctly & precisely before leaving the factory.
3. Shut off the main water supply prior to beginning installation.
4. Do flush the water supply lines to remove any dirt and debris before installation (**IMPORTANT**) .
5. Make sure to connect the hot/cold inlet pipe correctly. If standing in front, connect hot water pipe to the left and cold water pipe to the right.
6. After the installation, check for leaks and make sure every joint is safely sealed.

INSTALLATION STEPS

This product has been inspected and debugged by the factory to the best condition. Please do not disassemble and assemble it yourself.

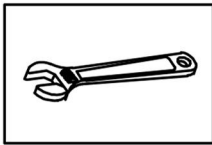


Before installing the product, please be sure to remove sundries and sludge from the water pipe to prevent sundries from blocking the product.

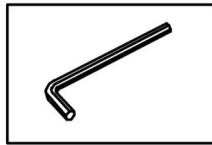


Wall Mounted Bathtub Faucet Installation

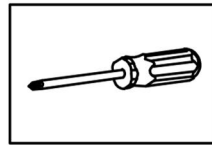
INSTALLATION MANUAL Tools You will need



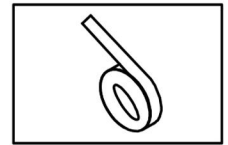
Adjustable Wrench



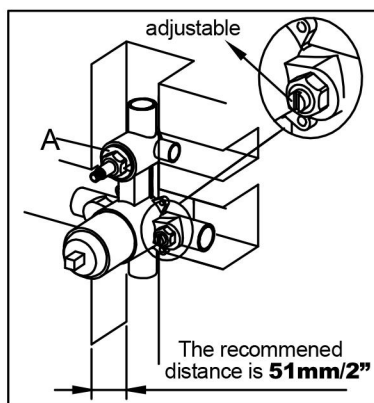
Allen key



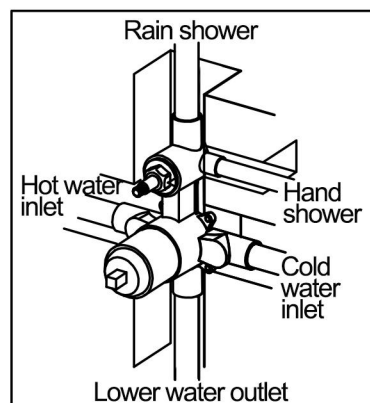
Philips Screwdriver



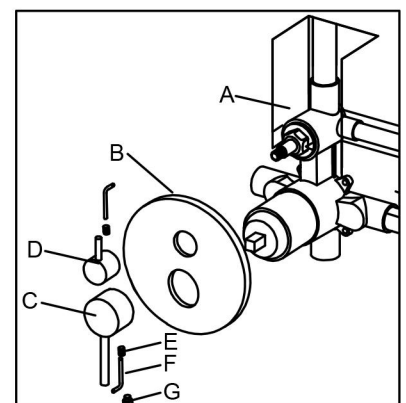
Teflon Tape



1. Fix the shower valve(A)into the wall, Use a level to ensure that the valve is straight and level.The distance between the bottom of the body and the surface of the tile is 51mm/2\"/>

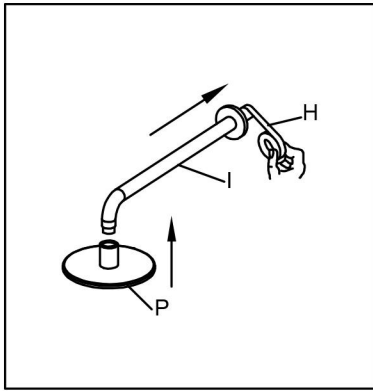


2. Wrap Teflon tape around the pipe threads and connect hot and cold water supply lines and in-wall pipes(not included) as desired to the valve.Turn on the water supply and open the cartridge to check for leakage. Then, put on the protective cover.

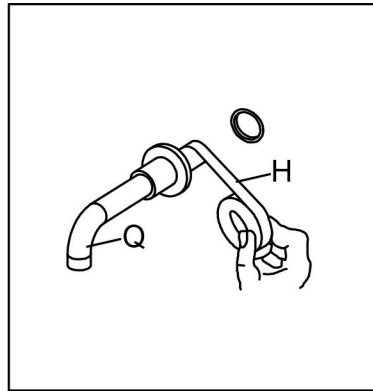


3. Remove the protective cover when the finished wall is completed and install the escutcheon (B) to the valve (A) and press it against the finished wall.Then, install the handle (C) and diverter knob(D), tighten set screws (E) with Allen key (F),and put on the indication buttons (G).

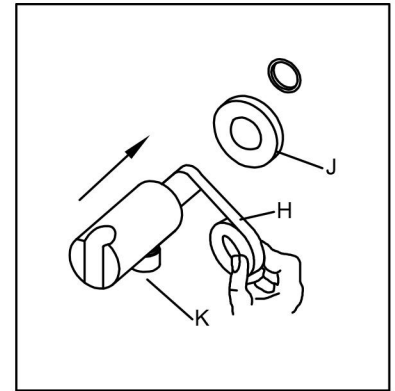
INSTALLATION STEPS



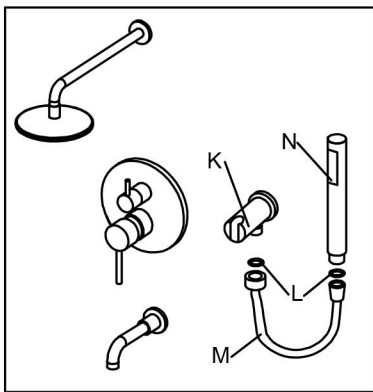
4. Turn the water on for 1 minute to flush any debris. Apply Teflon tape (H) to the threaded tail pipe and install the shower hose (I) into the outlet on the wall, Then connect the top shower (P) to the spout.



5. Apply Teflon tape (H) to the threaded tail pipe and install the tub spout (Q) into the outlet on the wall.



6. Apply Teflon tape (H) to the threaded end, then fix the cover plate (J) onto the wall supply holder (K) and screw the wall supply holder (K) into the hand shower outlet.



7. Add rubber washers (L) at both ends of the shower hose (M). Connect shower hose (M) to the wall supply holder (K) and hand shower (N). Then, place the hand shower (N) to the wall supply holder (K).

CLEANING CARE

In order to keep the appearance of product clean, bright and good performance, please take care of the product as follows;

1. Rinse with water only and dry with soft cotton cloth;
2. Use mild liquid and colorless glass cleaner to remove surface dirt and scale film, or use polish without abrasive effect;
3. Do not use abrasive detergent, polish, emery cloth, paper towel or scraper, etc;
4. Do not use acid cleaner, or cleaner and soap with insoluble gran etc;
5. In the process of use, mud may accumulate in the bubbler and make the water flow slow, The bubbler can be unscrewed, rinsed with water, and then installed back in place.



Please feel free to contact us if you have any questions. We will help to solve the issue together with you. OUR EMAIL: services@rbrohant.com



Service Contact:
+1(801) 800-9309
services@rbrohant.com

Made in China