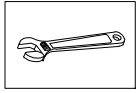
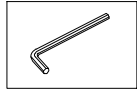


# Wall Mounted Basin Faucet Installation

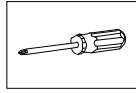
## INSTALLATION MANUAL Tools You will need



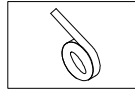
Adjustable Wrench



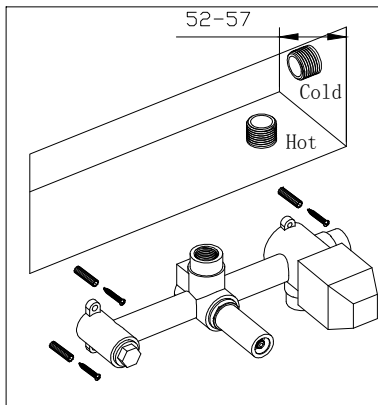
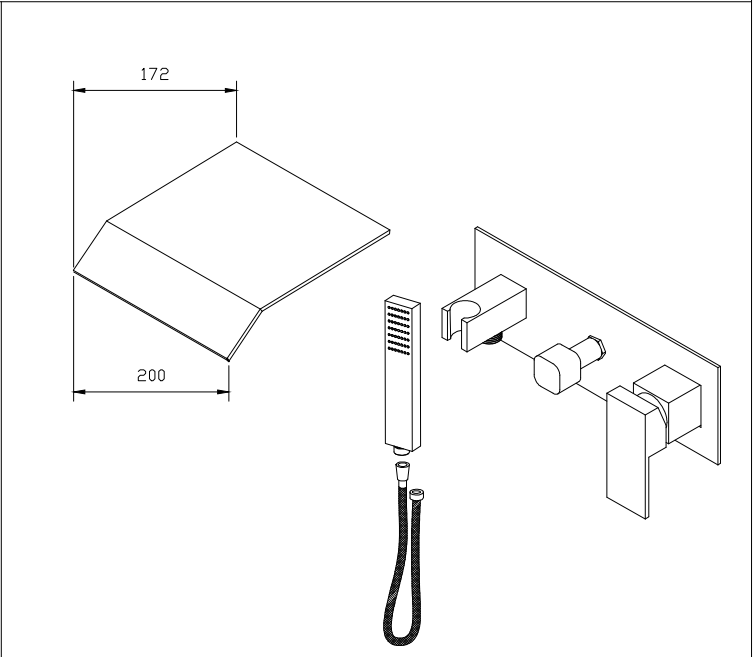
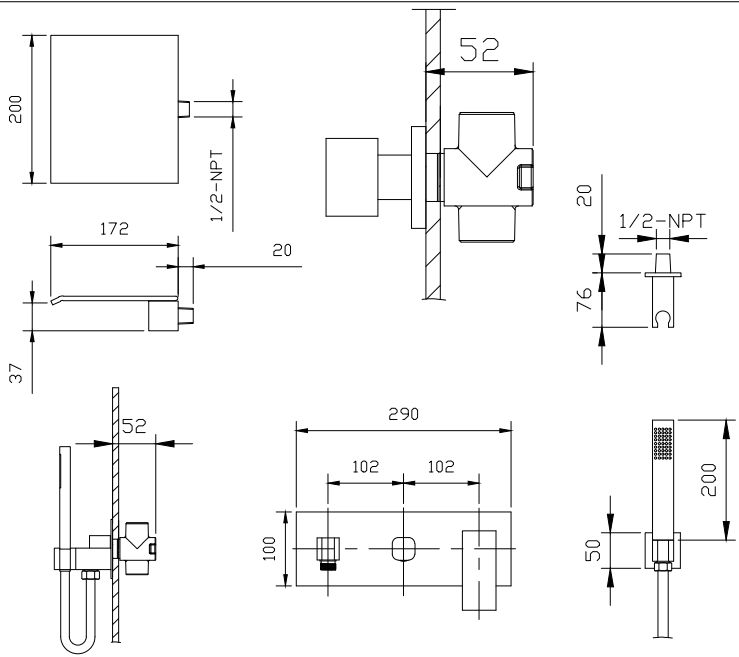
Allen key



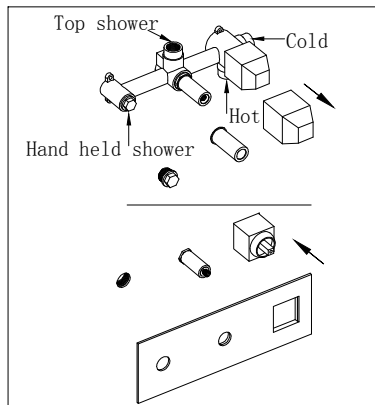
Philips Screwdriver



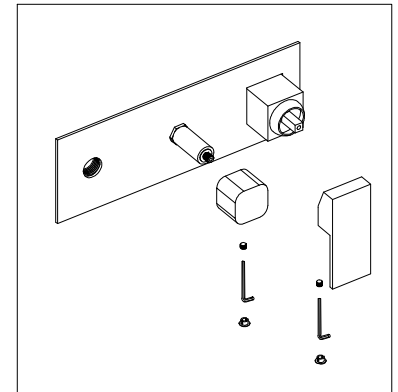
Teflon Tape



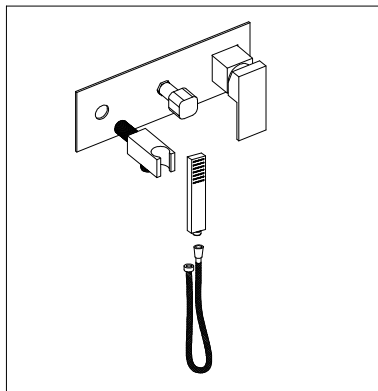
1. Open holes [size of opening is (265-272)x (92-96) x (52-57) mm (LxWxD)] and embedded water pipes (hot and cold inlet pipes, outlet pipes) as required; Install the main body in the embedded hole and connect the pipe. (10.43-10.7)x(3.62-3.77)x (2.05-2.44)inch(LxWxD)



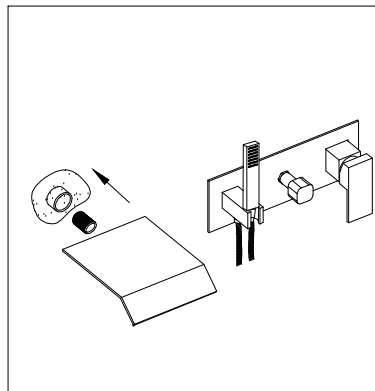
2. Fill the embedded hole after no water leakage, and press the panel to the wall after removing the protective cover.



3. Use the hexagon key to install the switch handle and water separator handle and install the color button.



4. Twist the shower stall onto the mounting hole of the main body (pay attention to keep it horizontal); Use the hose to twist the shower stall and the hand held shower stall together.



5. Install the shower hose into the outlet on the wall, Then connect the top shower to the spout.

