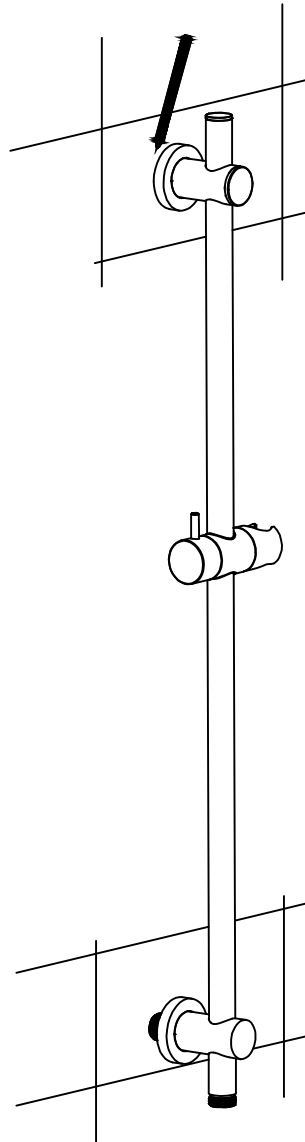
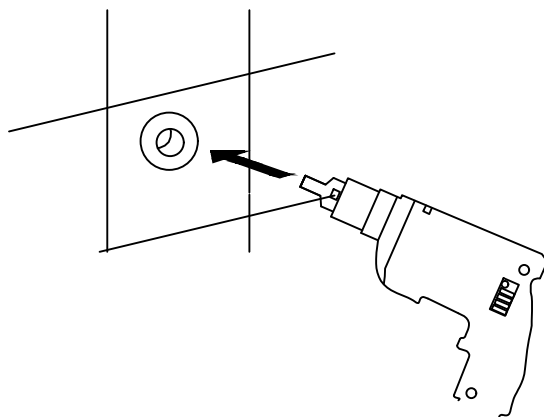
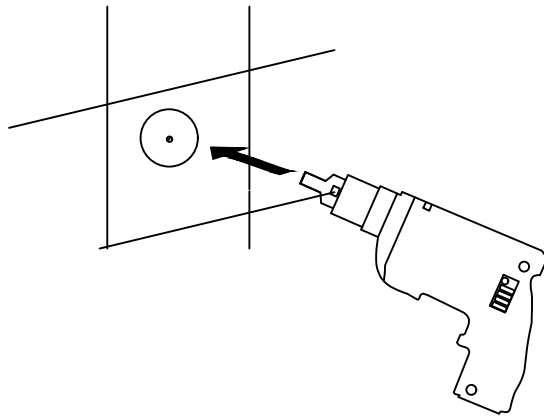


Step 1.



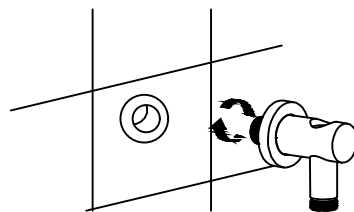
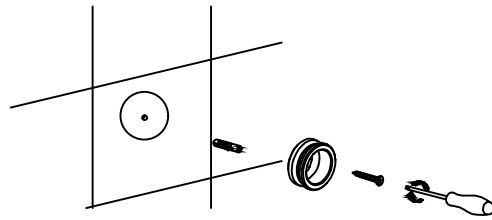
Description: Fix the
Step 1.
slide bar on the wall to be installed, use a pencil to draw
the positions of the upper fixing seat and the under water
outlet seat.

Step 2.



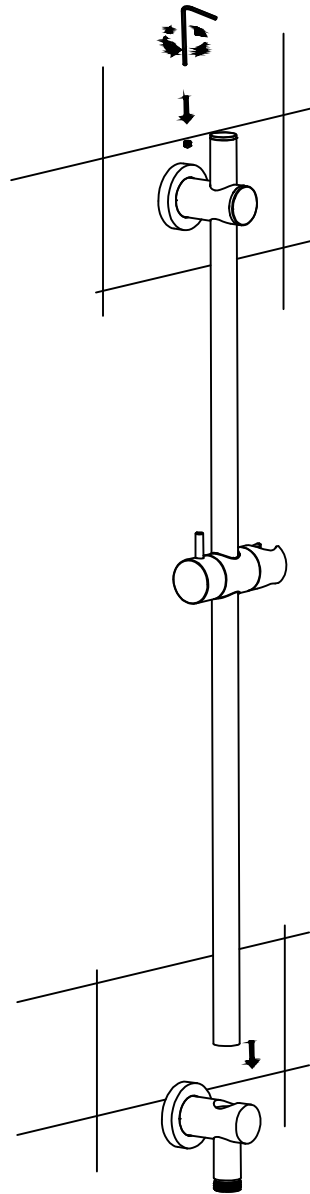
Description: Take down the slide bar, use an electric drill to drill fixed holes and water pipe outlet holes according to the position.

Step 3.



Description: Drive the screw pellets into the hole and tighten the screw with a screwdriver. Lock the fixing seat on the wall, screw the outlet seat into the outlet pipe and correct the direction.

Step 4.



Description: Install the slide bar into the fixing seat and the water outlet seat, and fix the slide bar with a hexagonal screwdriver.