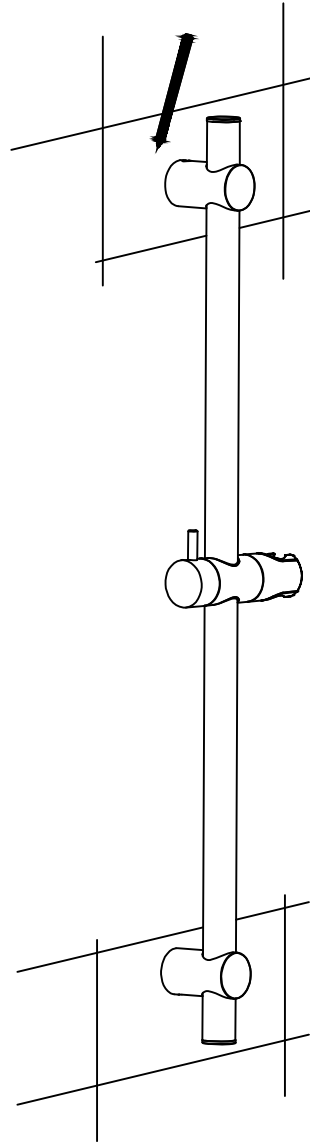
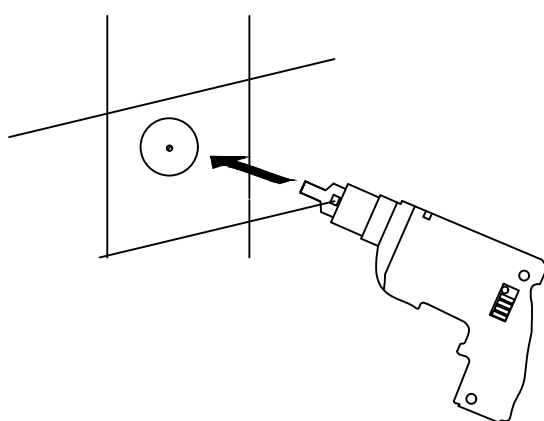
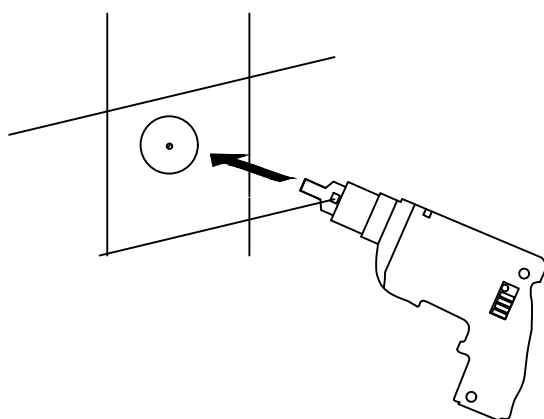


Step 1.



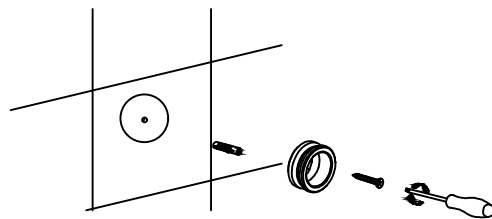
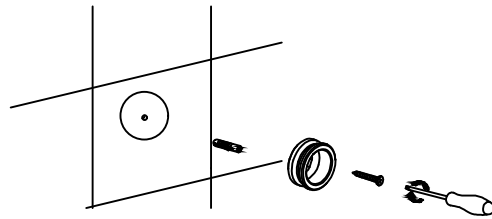
Description: Fix the slide bar on the wall to be installed, use a pencil to draw the positions of 2 fixing seats.

Step 2.



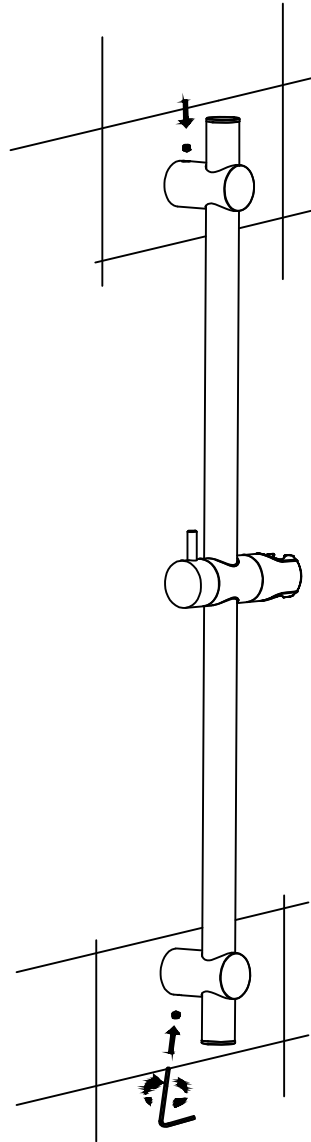
Description: Take down the slide bar, use an electric drill to drill fixed holes according to the position.

Step 3.



Description: Drive the screw pellets into the hole and tighten the screw with a screwdriver. Lock the fixing seat on the wall.

Step 4.



Description: Install the slide bar into the fixing seat on the wall, and fix the slide bar with a hexagonal screwdriver.