

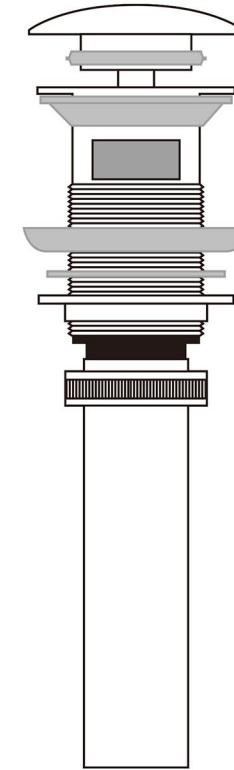


User's Manual

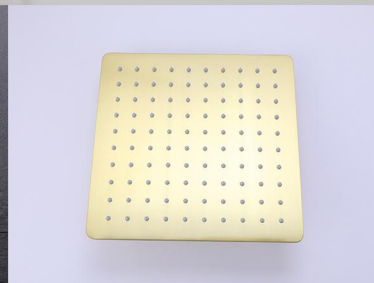
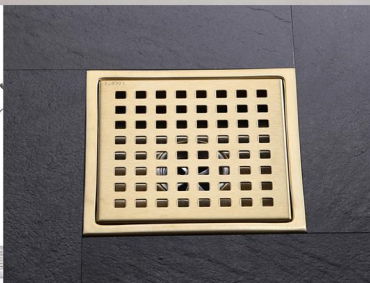


INSTALLATION INSTRUCTIONS

Installation Manual



RB0739G



IAPMO RESEARCH AND TESTING, INC.
5001 East Philadelphia Street, Ontario, California 91761-2816 - USA - 909-472-4100 - 909-472-4244 - www.iapmotesting.com

ANSI **IAPMO R&T** **UPC**

CERTIFICATE OF LISTING

UPC

This certificate is not evidence of product listing. To verify listing status, visit the IAPMO R&T Product Listing Directory at pl.iapmo.org

Effective Date: December 2019 Rev. 2/24/2020- Void After: December 2024 File No. 15111

Product: Finishable Water Connectors

Issue To: Aqua Supply Co., Ltd.
Ruehshai & Electrical
Industrial Zone,
Yuhou County,
Guangxi 530000,
China

Identification: Products shall be marked with manufacturer's name or trademark, a statement "For use with water in accessible locations only." The products shall also bear the UPC® certification mark. Markings shall be by means of etching a permanent mark on the product, a label on the product or a tag attached to the product.

Characteristics: Finishable water connectors manufactured in various sizes, lengths and metal and fittings for hot or cold water applications that consist of an inner tube, which may or may not have an outer braided cover. Connectors are to be installed for use in accessible locations only. To be installed in accordance with the manufacturer's instruction, and the latest edition of the Uniform Plumbing Code and National Plumbing Code of Canada.

Products listed on this certificate have been tested by an IAPMO R&T recognized laboratory. This recognition has been granted based upon the following:

Tom Collins *Ron Ching*

The listing process is based upon the test data of all models covered by this listing. The test data shows that the products are in compliance with the requirements of the Uniform Plumbing Code and National Plumbing Code of Canada. The listing process is based upon the test data of all models covered by this listing. The test data shows that the products are in compliance with the requirements of the Uniform Plumbing Code and National Plumbing Code of Canada. The listing process is based upon the test data of all models covered by this listing. The test data shows that the products are in compliance with the requirements of the Uniform Plumbing Code and National Plumbing Code of Canada.

IAPMO RESEARCH AND TESTING, INC.
5001 East Philadelphia Street, Ontario, California 91761-2816 - USA - 909-472-4100 - 909-472-4244 - www.iapmotesting.com

ANSI **IAPMO R&T** **UPC**

CERTIFICATE OF LISTING

UPC

This certificate is not evidence of product listing. To verify listing status, visit the IAPMO R&T Product Listing Directory at pl.iapmo.org

Effective Date: November 2019 Void After: November 2024 File No. 15433

Product: Finishing Fixture Fittings

Issue To: Aqua Supply Co., Ltd.
1300-1310 4th Street,
International District,
Baotou City, 047000
China

Identification: Finishing fixture fittings complying with this standard shall be marked with the manufacturer's complete name, trademark, or other mark or, in the case of private labeling, the name, trademark or other mark of the customer for whom the fitting was manufactured. The marking shall be accomplished by use of a permanent mark or by placing a permanent label on the product. Markings on finishing fixture fittings shall be visible after installation.

Single-handle, single-control, and automatic compensating mixing bath and shower valves shall have identifiable temperature control settings in which the settings are indicated by words "Hot", "Warm", "Hot", "Hot", "Hot", or equivalent.

Products listed on this certificate have been tested by an IAPMO R&T recognized laboratory. This recognition has been granted based upon the following:

Tom Collins *Ron Ching*

The listing process is based upon the test data of all models covered by this listing. The test data shows that the products are in compliance with the requirements of the Uniform Plumbing Code and National Plumbing Code of Canada. The listing process is based upon the test data of all models covered by this listing. The test data shows that the products are in compliance with the requirements of the Uniform Plumbing Code and National Plumbing Code of Canada. The listing process is based upon the test data of all models covered by this listing. The test data shows that the products are in compliance with the requirements of the Uniform Plumbing Code and National Plumbing Code of Canada.

IAPMO RESEARCH AND TESTING, INC.
5001 East Philadelphia Street, Ontario, California 91761-2816 - USA - 909-472-4100 - 909-472-4244 - www.iapmotesting.com

ANSI **IAPMO R&T** **UPC**

CERTIFICATE OF LISTING

UPC

This certificate is not evidence of product listing. To verify listing status, visit the IAPMO R&T Product Listing Directory at pl.iapmo.org

Effective Date: March 2019 Void After: March 2024 File No. MC-9751

Product: Finishing Fixture Fittings - Components

Issue To: Finishing Date, Ontario,
Canada - M9B 1S1A
China

Identification: Each fitting component shall bear permanent legible markings to identify the manufacturer. This marking shall be the trade name, trademark, or other mark known to identify the manufacturer. The product shall also bear all other markings required by the standard. The marking shall be applied so as to be visible after installation. The product or packaging shall also bear the UPC® certification mark along with the name "IAPMOR&T" alone.

Characteristics: Finishing fixture fitting components to be installed in accordance with the manufacturer's instructions and the requirements of the latest edition of the Uniform Plumbing Code.

Products listed on this certificate have been tested by an IAPMO R&T recognized laboratory. This recognition has been granted based upon the laboratory's compliance with the applicable requirements of ISO/IEC 17025.

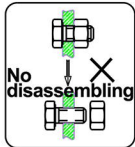
Products are in compliance with the following standard:
Uniform Plumbing Code (UPC)®

Tom Collins *Ron Ching*

The listing process is based upon the test data of all models covered by this listing. The test data shows that the products are in compliance with the requirements of the Uniform Plumbing Code and National Plumbing Code of Canada. The listing process is based upon the test data of all models covered by this listing. The test data shows that the products are in compliance with the requirements of the Uniform Plumbing Code and National Plumbing Code of Canada. The listing process is based upon the test data of all models covered by this listing. The test data shows that the products are in compliance with the requirements of the Uniform Plumbing Code and National Plumbing Code of Canada.

INSTALLATION STEPS

This product has been inspected and debugged by the factory to the best condition. Please do not disassemble and assemble it yourself.

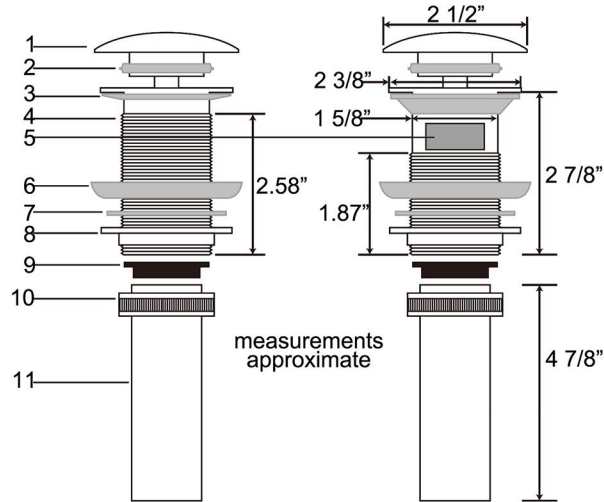


Before installing the product, please be sure to remove sundries and sludge from the water pipe to prevent sundries from blocking the product.



1 1/2" Pop up Drain

Overall Drain Height: 8" (with drain open) / 7 1/2" (with drain closed)

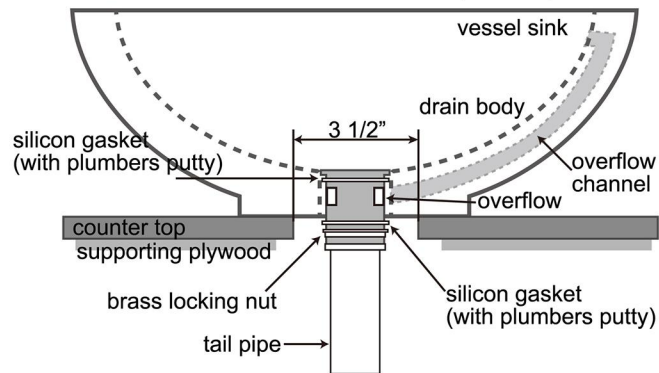


1	Drain Cap
2	Silicon Gasket
3	Silicon Gasket
4	Drain Body
5	Overflow
6	Silicon Gasket
7	Plastic Washer
8	Brass Locking Nut
9	Rubber Gasket
10	Chrome Locking Nut
11	Tail Pipe

Important Information:

- This installation guide is subject to change without notice, please contact seller to request the most updated version of this installation guide.
- Observe all local plumbing and building codes.
- This is a general installation guideline, actual installation may vary. Consult a professional if necessary.
- Product drawings in this installation guide is for illustration purpose only. Actual product may vary by models.
- Read and understand this installation guide completely.
- It is recommended that the installation of this product be performed by trained and experienced installers.
- Plumers putty is recommended when installing this product.

Vessel Sink / Drain Installation (overflow)



CLEANING CARE

In order to keep the appearance of product clean, bright and good performance, please take care of the product as follows;

1. Rinse with water only and dry with soft cotton cloth;
2. Use mild liquid and colorless glass cleaner to remove surface dirt and scale film, or use polish without abrasive effect;
3. Do not use abrasive detergent, polish, emery cloth, paper towel or scraper, etc;
4. Do not use acid cleaner, or cleaner and soap with insoluble gran etc;



Please feel free to contact us if you have any questions. We will help to solve the issue together with you. OUR EMAIL: services@rbrohant.com



Service Contact:

+1(801) 800-9309
services@rbrohant.com

Made in China