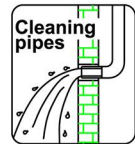


INSTALLATION STEPS

This product has been inspected and debugged by the factory to the best condition. Please do not disassemble and assemble it yourself.

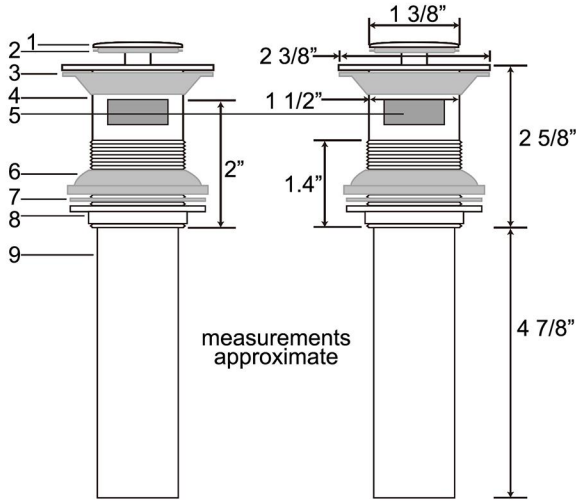


Before installing the product, please be sure to remove sundries and sludge from the water pipe to prevent sundries from blocking the product.



1 1/2" Pop up Drain

Overall Drain Height: 8" (with drain open) / 7 1/2" (with drain closed)

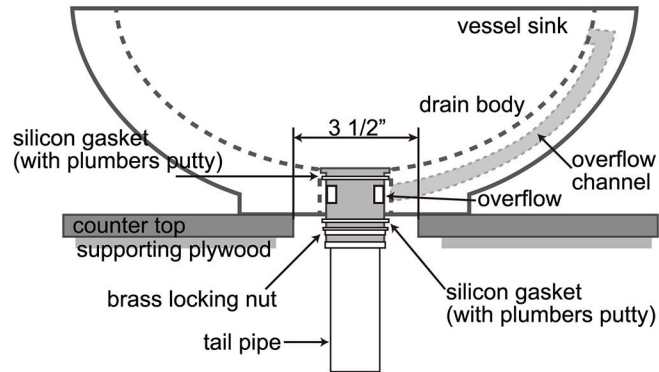


1	Drain Cap
2	Silicon Gasket
3	Rubber Gasket
4	Drain Body
5	Overflow
6	Rubber Gasket
7	Plastic Washer
8	Brass Locking Nut
9	Tail Pipe

Important Information:

- This installation guide is subject to change without notice, please contact seller to request the most updated version of this installation guide.
- Observe all local plumbing and building codes.
- This is a general installation guideline, actual installation may vary. Consult a professional if necessary.
- Product drawings in this installation guide is for illustration purpose only. Actual product may vary by models.
- Read and understand this installation guide completely.
- It is recommended that the installation of this product be performed by trained and experienced installers.
- Plumers putty is recommended when installing this product.

Vessel Sink / Drain Installation (overflow)



CLEANING CARE

In order to keep the appearance of product clean, bright and good performance, please take care of the product as follows;

1. Rinse with water only and dry with soft cotton cloth;
2. Use mild liquid and colorless glass cleaner to remove surface dirt and scale film, or use polish without abrasive effect;
3. Do not use abrasive detergent, polish, emery cloth, paper towel or scraper, etc;
4. Do not use acid cleaner, or cleaner and soap with insoluble gran etc;



Please feel free to contact us if you have any questions. We will help to solve the issue together with you. OUR EMAIL: services@rbrohant.com



Service Contact:

+1(801) 800-9309

services@rbrohant.com

Made in China