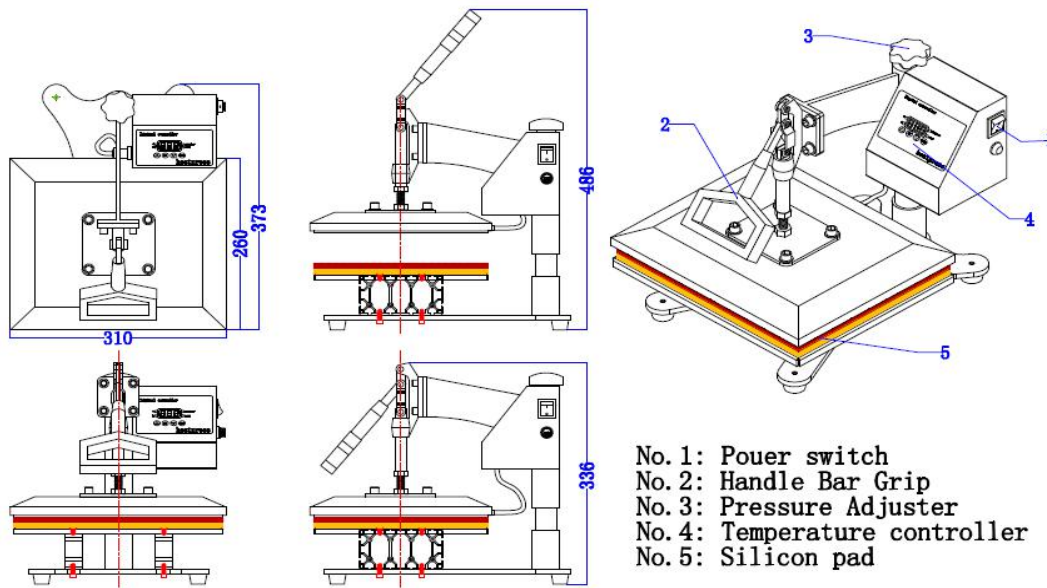


A4 SIZE SWING AWAY HEAT PRESS



- No.1: Pouer switch
- No.2: Handle Bar Grip
- No.3: Pressure Adjuster
- No.4: Temperature controller
- No.5: Silicon pad

Parameter:

Voltage: 110/220V
Power: 650W
Frequency: 50-60HZ
Temp range: 0-250°C
Time range: 0-499s
Weight: 14KG
Platen size: 250x300mm
Package size: 460*400*390mm

MADE IN CHINA

Operation process:

- 1.Plug in the power cord,and then turn on the power switch (No.1).
- 2.Rise up the handle bar Grip (No.2), spin the pressure adjuster (NO.3) and press the handle bar to try the proper pressure you required.
- 3.Setting time and temp:
Press "OK" button, the display shows "P-1". Now you can press \triangle or ∇ to adjust the temperature. After temperature setting, press OK again, the display shows "P-2", and then press \triangle or ∇ to adjust the time. After setting, press "OK" to exit setup.
- 4.Rise up the handle bar grip , swing away the upper heating platen 90°C-180°C, lay the object (i.e. T-shirt) on silicon pad, the transfer paper with image facing down the object. Turn back the upper heating platen and press down the handle bar. Then press the "Enter" button to start the counting down time. Once time is up, the buzzer sends out the sounds again. Then lift up the heating platen. Meantime the sounds stop. The transfer work finished.