

Table of Contents

Introduction	03	Attachment Bolts	07
Product Information	04	Details	08
Available Colors	05	Installation Guide	09-15
Accessories Included	06	Contact Us	16

Introduction

This manual contains important information of the proper installation and use of the frameset which affects your safety. In order to achieve maximum safe riding performance, please read and follow the steps to complete the assembly of the entire bike. This guide will help you identify and understand the steps that appear in your manual and assembly, as well as guide you through the assembly to understand the feature and functions of this frameset. Be sure to obtain and read all of them. If you have any questions, please consult a professional bike mechanic, or contact us at <https://www.yoeleo-bike.com/>

Product Information

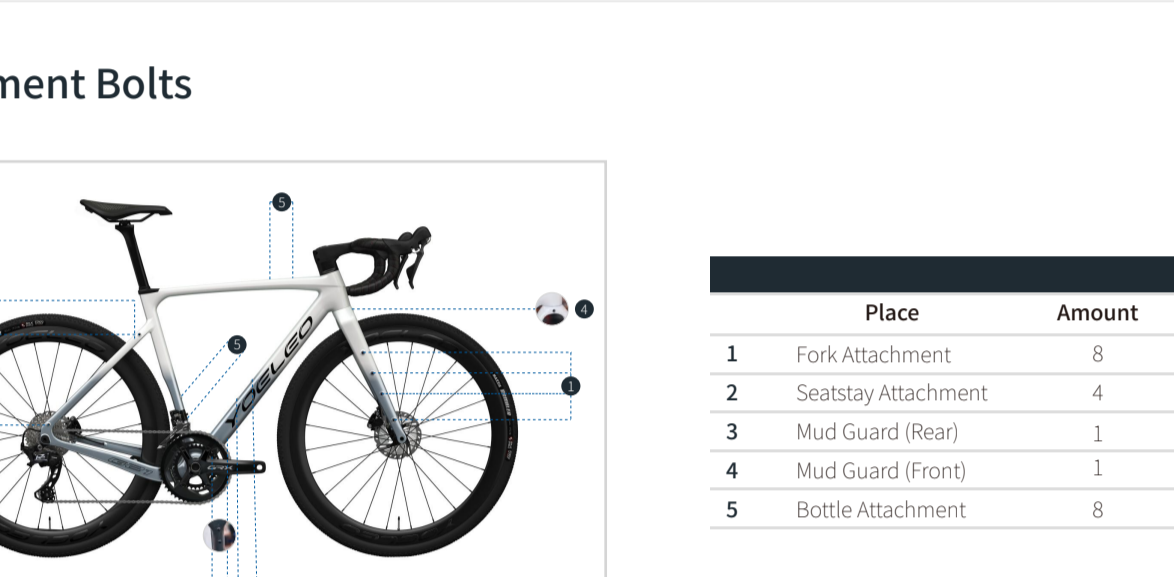
G21 Disc Brake Gravel Frameset

Type:	700C Disc Brake Gravel Frameset
Material:	Tony T800 Carbon Fiber
Frame Weight:	980g +/- 50g (49cm)
BB:	Press Fit BB386
Sizes:	49cm / 52cm / 54cm / 56cm / 58cm / 60cm
Colors:	Baltic Red / Snowfrost White / Chromatic Grey

Available Colors

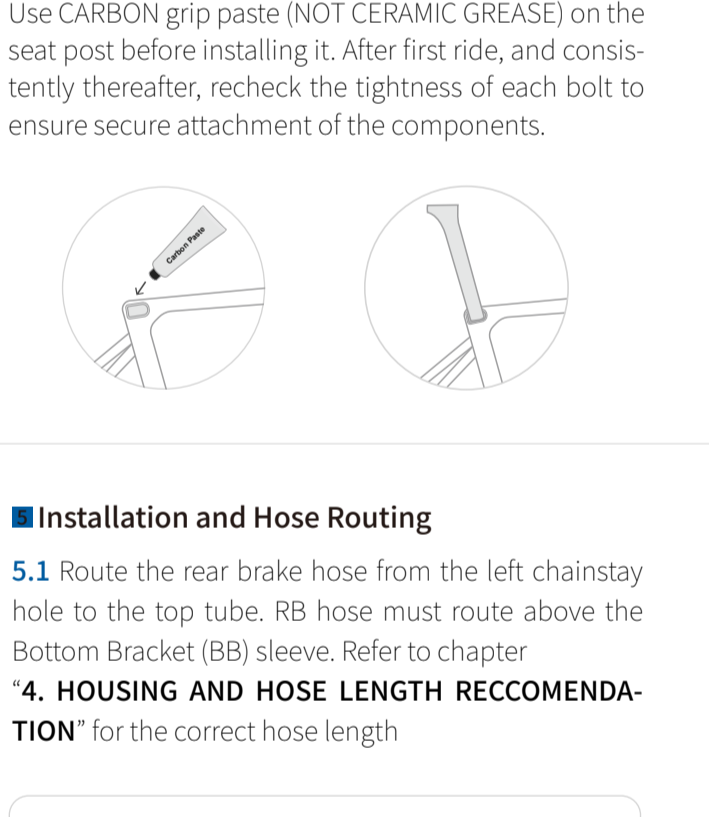


Accessories Included



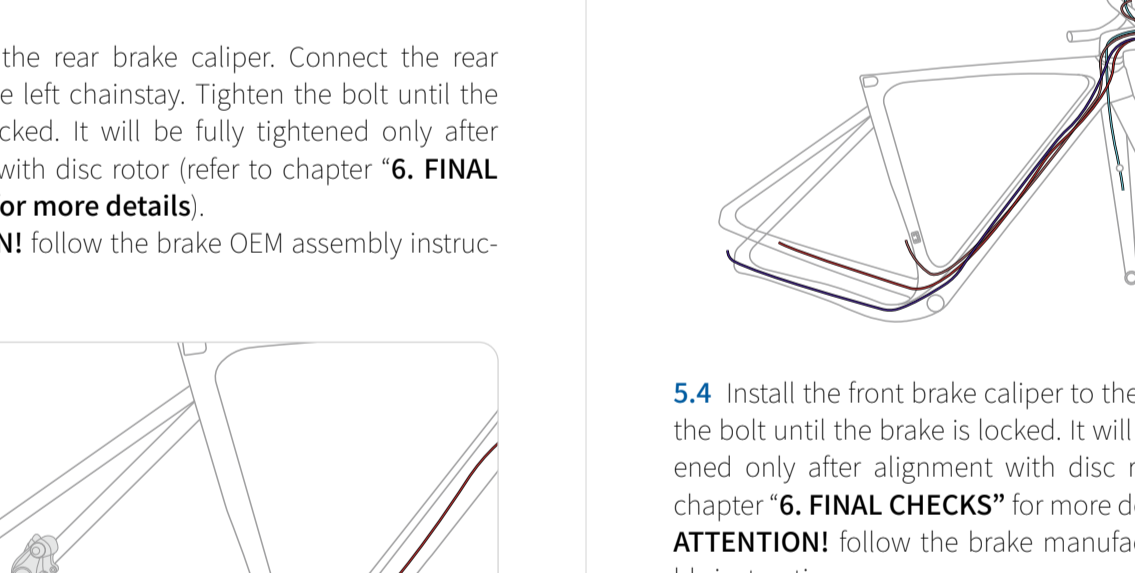
1	Qty:1	7	Qty:1	5	Qty:1
	Front Hanger		Setup Hanger Cover(Single chaining)		Rear Hanger+Bolts
2	Qty:1	8	Qty:1	6	Qty:4
	Sponge Tube		Chain-Stay Protector		Spacers
7	Qty:1	9	Qty:1	9	Qty:24
	Headset Compression Ring		Headset		M5 screw
10	Qty:1	11	Qty:2	12	Qty:1
	Seat Clamp Wedge		Saddle Clamp		Seatpost Clamp
13	Qty:1	14	Qty:1	15	Qty:2
	Seatpost Cover		Grommet		Front and Rear Axles
16	Qty:1	17	Qty:1	18	Qty:1
	Cable by Pass (for Shimano)		Cable Stopper (for Scam, old Shimano Series and Campagnolo)		Cable Hole Cover (for Single Chaining)
19	Qty:1	20	Qty:1	21	Qty:1
	Cable Hole Cover (for Wireless Groupset) 5mm		Cable Hole Cover (for Wireless Groupset) 6mm		Cable Hole Cover (for Wireless Groupset) 7.5mm

Attachment Bolts



Place	Amount	Size
1	8	12mm
2	4	12mm
3	1	12mm
4	1	18mm
5	8	18mm

Details



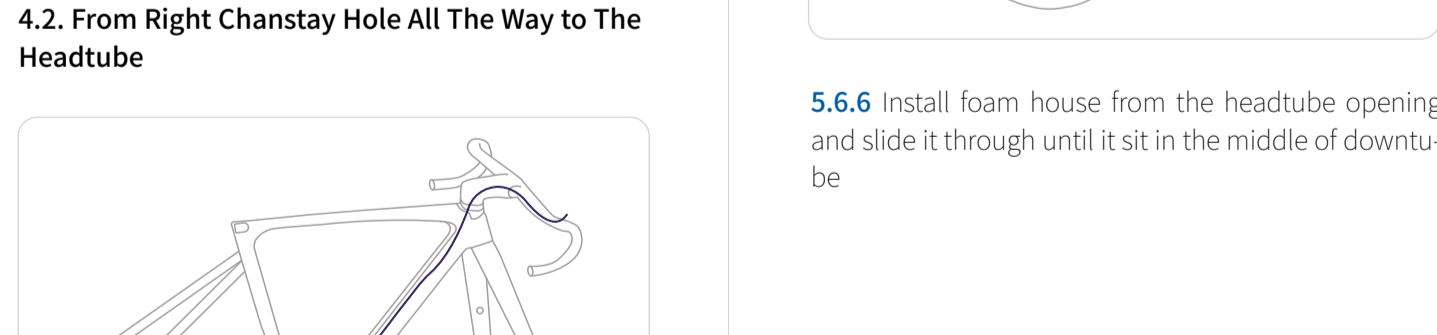
1	Qty:1	7	Qty:1	5	Qty:1
	Front Hanger		Setup Hanger Cover(Single chaining)		Rear Hanger+Bolts
4	Qty:1	8	Qty:1	6	Qty:4
	Sponge Tube(Inter)		Chain-Stay Protector(Inter)		Spacers

Installation Guide

- Scope of This Assembly Guide**
3.1 This manual is intended as a guide for the assembly of the Yoeleo G21 Disk from a frameset to a complete bike.
- 3.2 Due to the high degree of complexity of the Yoeleo R11 Disk this manual is intended for expert mechanics of Authorized Yoeleo Dealers.
- 3.3 Please utilize Authorized Yoeleo Dealers for assembly, service, repairs, or maintenance performed on the Yoeleo products or your trusted local bike shop who work frequently with internal cable routing bikes.
- 3.4 The following instructions for electronic groupsets are focused for Shimano D2 wiring, Scam eTAP or Campagnolo EPS may be different from the given instruction.
- 3.5 In the R11 frame section of <https://www.yoeleo-bike.com/> you can download Yoeleo R11 Disk assembling video as support for this manual. As well as a digital version of this document.

General Notes on Assembly

- 2.1 Before assembly inspect all components (frame, fork, seatpost, handlebar, headset top cap and spacers) to ensure that there aren't any sharp edges, burrs, or cracks.
- 2.2 In the case of any crack, DO NOT continue assembly and immediately contact the Yoeleo Customer Service or your nearest Yoeleo dealer.
- 2.3 All edges of the handlebar, stem, top cap, and spacers in contact with the steerer tube should be rounded out to eliminate stress points.
- 2.4 Do not drill, remove parts, or modify the frame components without instruction or acknowledgment from Yoeleo HQ team. Not following this warning could result in injury or death.
- 2.5 Do not install incompatible components. Use of other components may compromise the integrity of the assembly.



Tools and Torque Specification

3.1 Use the proper tightening torques; it is essential for the correct function and to avoid loosening or structural damages. In certain cases, tightening torques ensure mechanical couplings, in other cases they prevent loosening. Depending on the application, the threads should be greased or treated with thread-lockers. Refer to the chart below for the proper torque to be applied and for the treatment.

Component	Torque (Nin)	Thread	Tool
Seat Post Clamp	8Nm	Lubricated	Allen key 4mm
Stem Clamp	6-8Nm	Lubricated	Allen key 5mm
Stem Bolts	6Nm	Thread-locker	Allen key 5mm
Brake Calipers	6-8Nm	Thread-locker	Allen key 4mm
Compression Plug	6Nm	Lubricated	Allen key 6mm
Saddle Rail Clamp Bolts	12Nm	Lubricated	Allen key 5mm
Bottle Cage	2Nm	Thread-locker	Allen key 4mm

Use CARBON grip paste (NOT CERAMIC GREASE) on the seat post before installing it. After first ride, and consistently thereafter, recheck the tightness of each bolt to ensure secure attachment of the components.

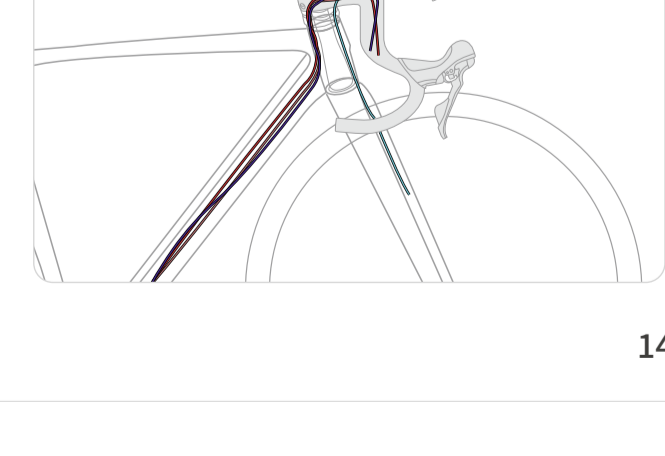


Housing and Hose Length Recommendation

- 4.1 To properly assemble the Yoeleo G21 Disk we recommend using the following housing and hose lengths, which will then be cut according to the frame and handlebar size.

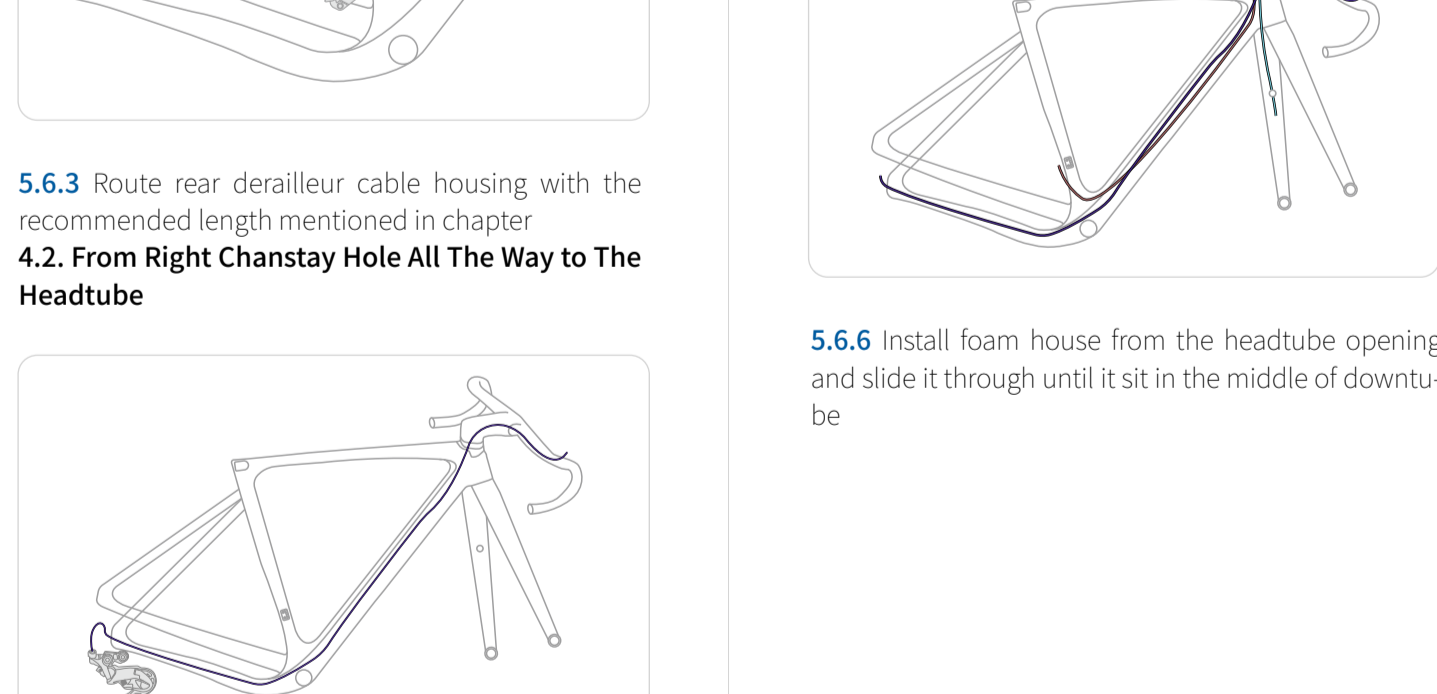
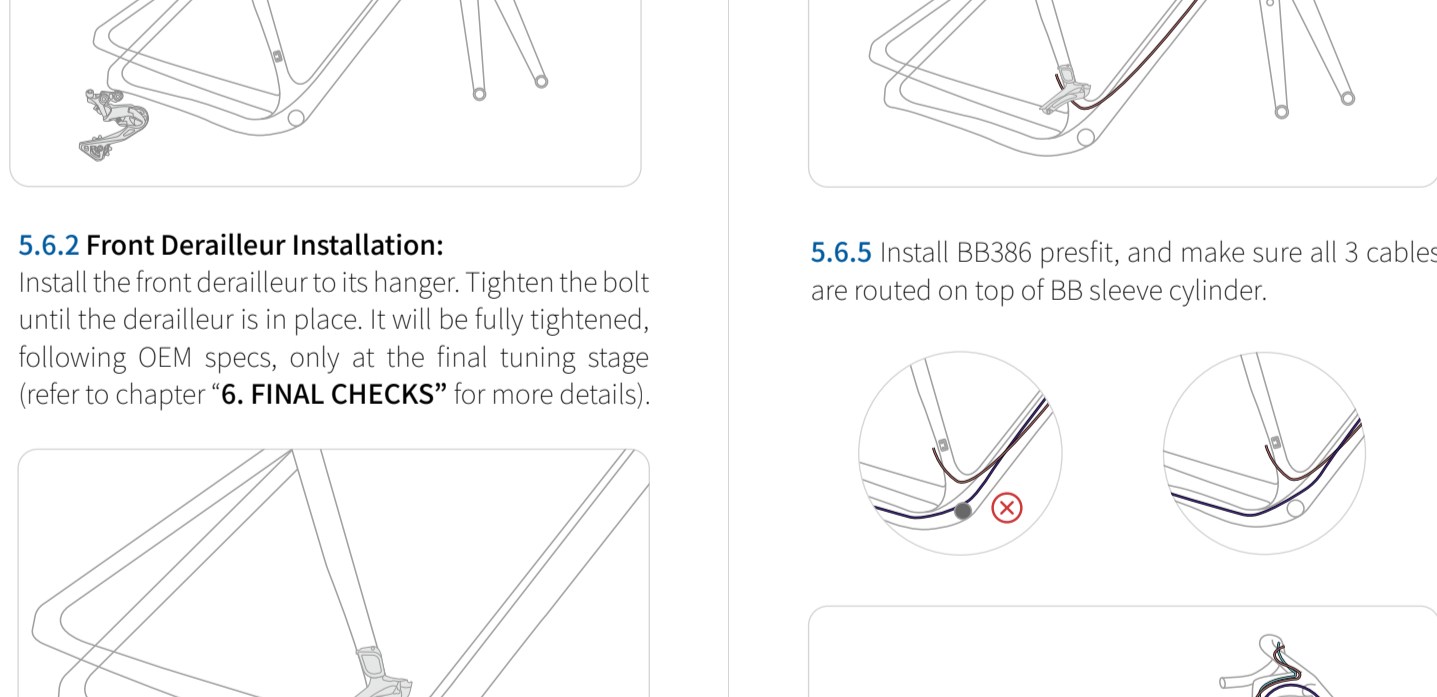
DISC BRAKE HOSE LENGTH(mm)	
Front Brake	1000
Rear Brake	1800

CABLE HOUSING LENGTH(mm)	
Front Derailleur	1000
Rear Derailleur	1800



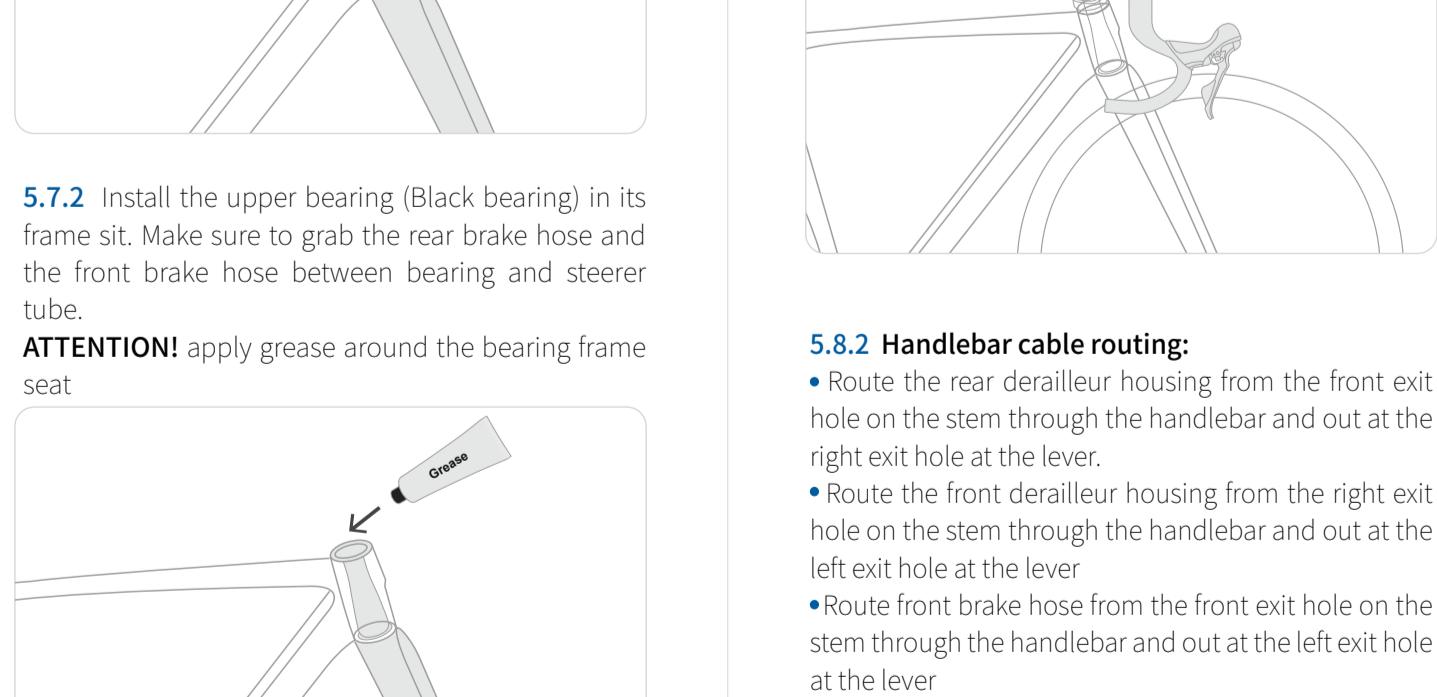
Installation and Hose Routing

- 5.1 Route the rear brake hose from the left chainstay hole to the top tube, BB hose must route above the Bottom Bracket (BB) sleeve. Refer to chapter "4. HOUSING AND HOSE LENGTH RECOMMENDATION" for the correct hose length.
- 5.2 Install the rear brake caliper. Connect the rear brake to the left chainstay. Tighten the bolt until the brake is locked. It will be fully tightened only after alignment with disc rotor (refer to chapter "6. FINAL CHECKS" for more details). **ATTENTION!** follow the brake OEM assembly instructions
- 5.3 Route the front brake hose through the fork entry hole (left fork arm) and up to the exit hole on the steerer tube. Refer to chapter "4. HOUSING AND HOSE LENGTH RECOMMENDATION" for the correct hose length.
- 5.4 Install the front brake caliper to the fork. Tighten the bolt until the brake is locked. It will be fully tightened only after alignment with disc rotor (refer to chapter "6. FINAL CHECKS" for more details). **ATTENTION!** follow the brake manufacturer assembly instructions
- 5.5 Steerer Tube Assembly Preparation: Install the crown race and lower headset bearing (Black Bearing (7mm)) into the proper frame seat. **ATTENTION!** apply grease around the bearing frame seat.



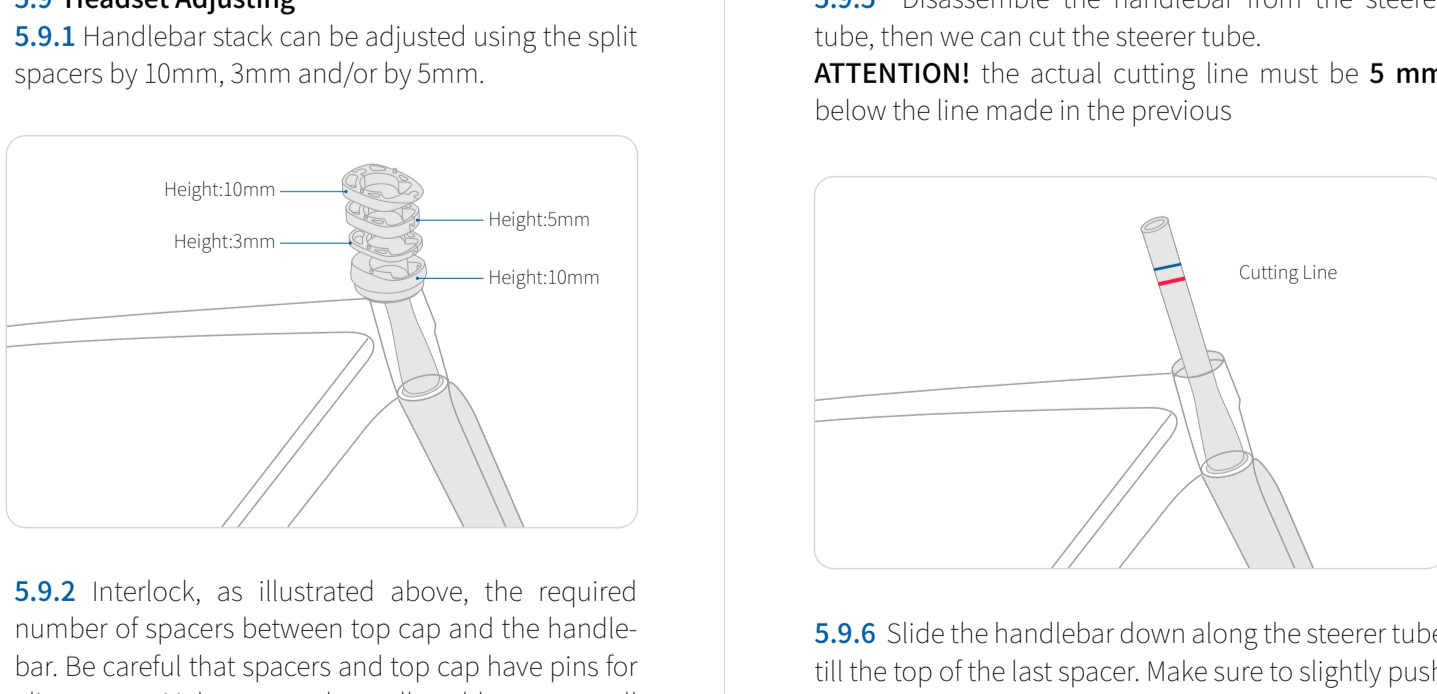
Mechanical Groupset Installation

- 5.6.1 Rear Derailleur Installation: Install the rear derailleur to its hanger. Tighten following OEM torque spec.
- 5.6.2 Front Derailleur Installation: Install the front derailleur to its hanger. Tighten the bolt until the derailleur is in place. It will be fully tightened, following OEM specs, only at the final tuning stage (refer to chapter "6. FINAL CHECKS" for more details).
- 5.6.3 Route rear derailleur cable housing with the recommended length mentioned in chapter 4.2. **From Right Chanstay Hole All The Way to The Headtube**
- 5.6.4 Route front derailleur cable housing with the recommended length mentioned in chapter 4.2. **From Front Derailleur Cable Hole Upper Bottom Bracket All The Way to The Headtube.**
- 5.6.5 Install BB386 presfit, and make sure all 3 cables are routed on top of BB sleeve/cylinder.
- 5.6.6 Install foam hose from the headtube opening and slide it through until it sit in the middle of downtube



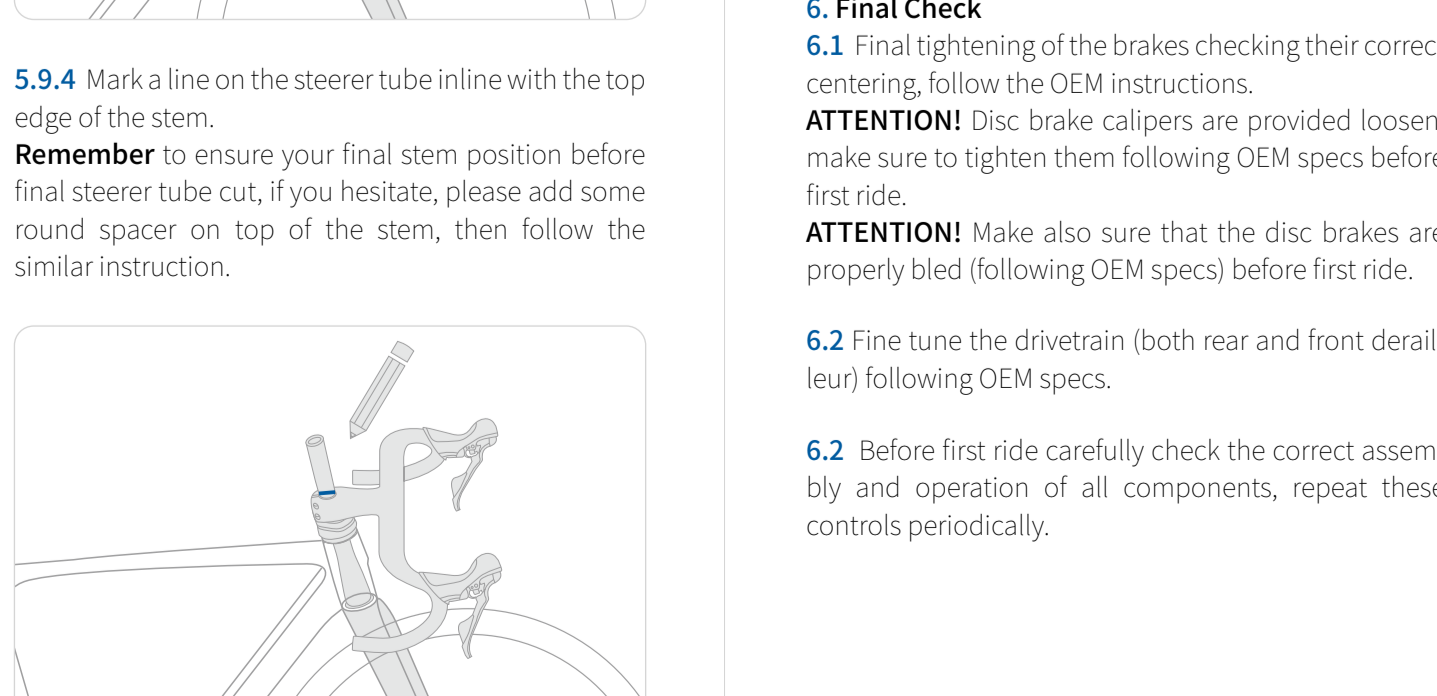
Headset Adjusting

- 5.7 Push the steerer tube up into the head tube. Grab the front brake hose inside the bearing and push up through the head tube.
- 5.7.1 Use a proper support for the fork while installing to avoid fork dropped during assembly. By now all four cables must appear on the head tube.
- 5.7.2 Interlock, as illustrated above, the required number of spacers between top cap and the handlebar. Be careful that spacers and top cap have pins for alignment. Make sure that all cables are well positioned into the proper notch, and they are not twisted around each other
- 5.7.3 Install the upper bearing (Black bearing) in its frame sit. Make sure to grab the rear brake hose and the front brake hose between bearing and steerer tube. **ATTENTION!** apply grease around the bearing frame seat
- 5.7.4 Mark a line on the steerer tube inline with the top edge of the stem. **Remember!** to ensure your final seat position before final steerer tube cut, if you hesitate, please add some round spacer on top of the stem, then follow the final instruction.
- 5.7.5 Disassemble the handlebar from the steerer tube, then we can cut the steerer tube. **ATTENTION!** the actual cutting line must be 5 mm below the line made in the previous



Final Check

- 6.1 Final tightening of the brakes checking their correct centering, follow the OEM instructions. **ATTENTION!** Disc brake callipers are provided loosened, make sure to tighten them following OEM specs before first ride. **ATTENTION!** Make also sure that the disc brakes are properly bled (following OEM specs) before first ride.
- 6.2 Fine tune the drivetrain (both rear and front derailleur) following OEM specs.
- 6.2 Before first ride carefully check the correct assembly and operation of all components, repeat these controls periodically.



Contact Us

- Website:** <https://www.yoeleobike.com/>
Email: info@yoeleobike.com
- Website:** <https://www.yoeleospain.com/>
Email: info@yoeleospain.com
- Website:** <https://www.yoeleoitaly.com/>
Email: info@yoeleoitaly.com
- Website:** <https://www.yoeleoindonesia.com/>
Email: info@yoeleoindonesia.com
- Website:** <https://www.yoeleojapan.com/>
Email: info@yoeleojapan.com
- Website:** [http://www.yoeleoindonesia.com/](https://www.yoeleoindonesia.com/)
Email: info@yoeleoindonesia.com