



MULTIFUNCTIONAL BLENDER

USER MANUAL

WWW.KOIOSSHOP.COM

CUSTOMER SERVICE

Our customer service team is always ready to assist you if you have any issues or concerns.

 www.koiosshop.com

 support@koiosshop.com

 1-855-888-2111

 m.me/KoiosShop

CONTENTS

CUSTOMER SERVICE	01
IMPORTANT SAFEGUARDS	02
PRODUCT OVERVIEW	04
USER GUIDE	05
TROUBLESHOOTING	07
CLEANING AND MAINTENANCE	08

02 IMPORTANT SAFEGUARDS

To avoid electric shock, fire, or injury, please read the user manual carefully before using the appliance and keep it for future reference.

1. This appliance can be used by children aged from 8 years and above and persons.
2. Do not operate any appliance with damaged cord or plug, or after appliance has been dropped or damaged in any way. Contact KOIOS official for replacement.
3. Never immerse the motor unit or supply cord in water nor rinse it under the tap.
4. Make sure motor has completely stopped before removing cover.
5. Make sure the cover is securely locked into position before operating.
6. Unauthorized use or the use of attachments that do not belong to this product may cause fire, electrical shock or personal injury, or damage to your appliance.
7. This appliance is intended for home use only.

IMPORTANT SAFEGUARDS 03

8. If the supply cord is damaged, it must be replaced by the manufacturer, its service agent or similarly qualified persons in order to avoid a hazard.
9. Always unplug the appliance from the outlet when it is not in use, before putting on or taking off parts, before removing food, and before cleaning.
10. Take care while handling the sharp cutting blades or emptying the bowl in order to avoid injury.
11. This product is strictly prohibited for no-load or overload operating.
12. Keep hands and utensils out of container while blending to reduce the risk of severe injury to persons or damage to the blender.
13. To reduce the risk of injury, never place cutter-assembly blades on base without jar properly attached.

04 PRODUCT OVERVIEW

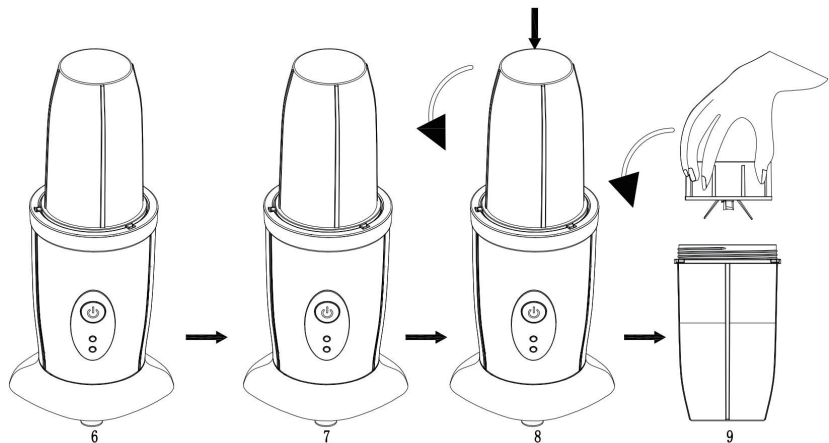
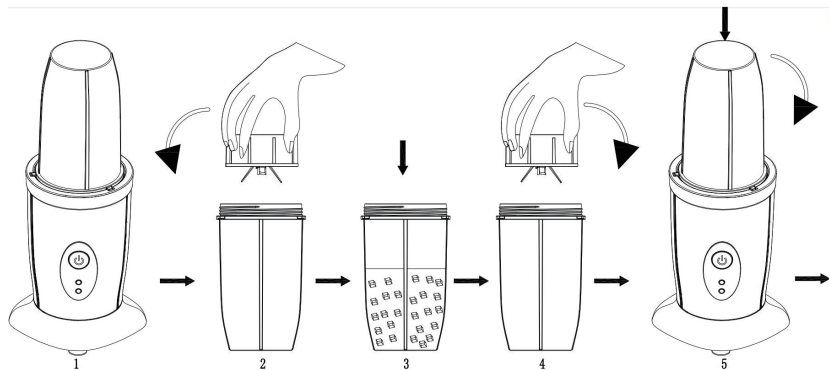


Your personal blender comes with a handy sieve lid that is used as a cooking shaker for pouring out spices such as cinnamon, nutmeg, ground coffee beans, cocoa powder, etc.

Food	Blade Type	Cup Type	Time
Fruits and Vegetable	Cross Blade	High Cup	60 seconds with the recommended max 400g loaded capacity with water
Coffee beans or nut	Flat Blade	Short Cup	30 seconds with the recommended max 100g loaded capacity

1. Take out the machine and put it on the working platform;;
2. First remove the mixing cup from the machine and remove the tool rest assembly counterclockwise from the mixing cup;
3. Put food and water into the cup, making sure that the maximum amount marked on the cup is not exceeded;
4. Put the tool rest assembly on the mouth of the cup, and tighten the tool rest assembly clockwise;
5. Place the mixing cup upside down on the machine with the three raised clips lining up with the three grooves in the machine.Press the mixing cup with your hand and tighten clockwise;
6. Insert the power cord into the power supply and press the power switch button to start the machine;
7. After the machine works for 1 minute, press the power switch button to stop working;
8. Press the mixing cup down and rotate counterclockwise to take out the mixing cup;
9. Remove the tool rest assembly from the mixing cup by turning the tool rest assembly counterclockwise.

06 USER GUIDE



1. The appliance doesn't work.

Check if the power cord is plugged into the outlet properly.

2. Can I blend hot foods?

No. NEVER blend hot foods in a blender. Cool the food to a temperature that is lower than 60°C (140°F).

3. My KOIOS blender smells when I use it.

It is normal for a new product to produce an unusual smell when it is used for the first time. It stops after you have used the appliance several times. If an unusual smell appears after the usage for a long time, turn the appliance off and let it cool down for 60 minutes.

4. Blender stops while blending.

Unplug the power cord, take out the cup and try to:

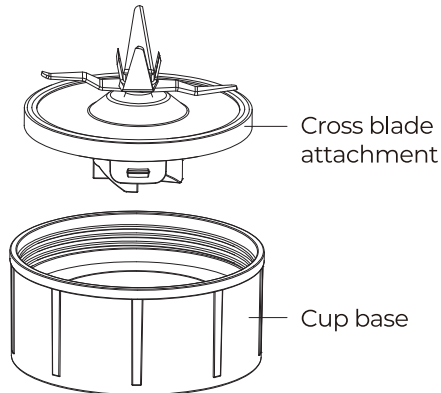
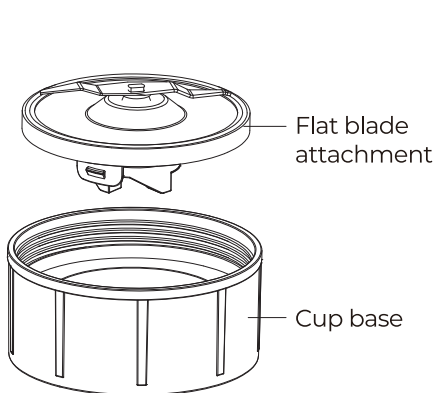
- a. Shake the cup;
- b. Reduce the loaded capacity.

5. How to blend frozen fruit or ice cubes?

1. Cut the frozen fruit into small pieces.
2. Add the frozen fruit pieces or ice cubes to the cup. Do not overfill it to avoid jamming the blade.
3. Add at least one-third of the liquid.
4. Fasten the blade assembly to the bottle. Then switch clockwise until the bottle locks in place.
5. Use pulse blending to break up frozen foods and ice cubes: Press the switch and let the blender work for 3 seconds, then press the switch again to stop it. After the food or ice cubes fall to the bottom, press the switch to work for 3 seconds and then stop it again. Repeat until the food is completely blended.

08 CLEANING AND MAINTENANCE

1. Remove the cross/flat blade attachment from the cross blade plastic base by pushing the blade gear.
2. Remove the gasket ring.
3. Add dishwashing liquid. Clean the gasket ring and the cross blade attachment with the small brush to loosen debris, then rinse with water.
4. Dry well in a cool place.
5. Assemble the extractor blade. Please ensure the gasket ring attached properly.



1. UNPLUG the appliance from the power source when it is not in use.
2. Please store the appliance in a dry, well-ventilated place when it is not in use for a long time.
3. You can clean the accessories under running water.
4. Clean the blender with a dry cloth. To protect against the risk of electrical shock, never immerse the motor base in water or place it under running water.

DISPOSAL

The appliance should not be disposed off via the household bin collection. Disposal of the appliance should be carried out in accordance with the national regulations. If electrical appliances are disposed of in landfills or dumps, hazardous substances can leak into the groundwater and get into the food chain, damaging your health and well-being.

When replacing old appliances with new ones, the retailer is legally obligated to take back your old appliance for disposal.



Declaration of Conformity (DoC)

Object of the declaration:

Product: Multi Function Blender
Model/Type: BL219
Serial No.: N/A

Manufacturer: Ci Xi City Qikang Electric Appliance Co., Ltd
Address: 2-1 Remin North Road, Xindong Village, Longshan
Town, Cixi, Ningbo, Zhejiang, China

UK Representative: LEAPING GLOBAL LIMITED
Address: 291 Brighton Road, South Croydon, United Kingdom, CR2 6EQ
E-mail: info.leaping@gmail.com

This declaration is issued under the sole responsibility of the Manufacturer.

The object of the declaration described above is in conformity with the relevant Union harmonisation legislation:

1. Electrical Equipment (Safety) Regulations 2016
2. Electromagnetic Compatibility Regulations 2016
3. The Restriction of the Use of Certain Hazardous Substances in Electrical and Electronic Equipment Regulations 2012

Conformity is shown by compliance with the applicable requirements of the following documents

Electrical Equipment (Safety) Regulations 2016:
BS EN 62368-1:2014 + A11: 2017

Electromagnetic Compatibility Regulations 2016:
BS EN 55014-1:2017+A11:2020
BS EN 55014-2:2015
BS EN 61000-3-2:2014
BS EN 61000-3-3:2013

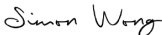
The Restriction of the Use of Certain Hazardous Substances in Electrical and Electronic Equipment Regulations 2012:

BS IEC 62321-3-1:2013; BS IEC 62321-5:2013; BS IEC 62321-4:2013;
BS IEC 62321-6:2015

Signed for and on behalf of: Ci Xi City Qikang Electric Appliance Co.,Ltd

Place of issue: Shenzhen, China
Date of issue: 19th October 2021
Name: Simon Wong
Position: Certificate Director

Signature:



KOIOS

 www.koiosshop.com

 support@koiosshop.com

 1-855-888-2111

 m.me/KoiosShop



Made in China