

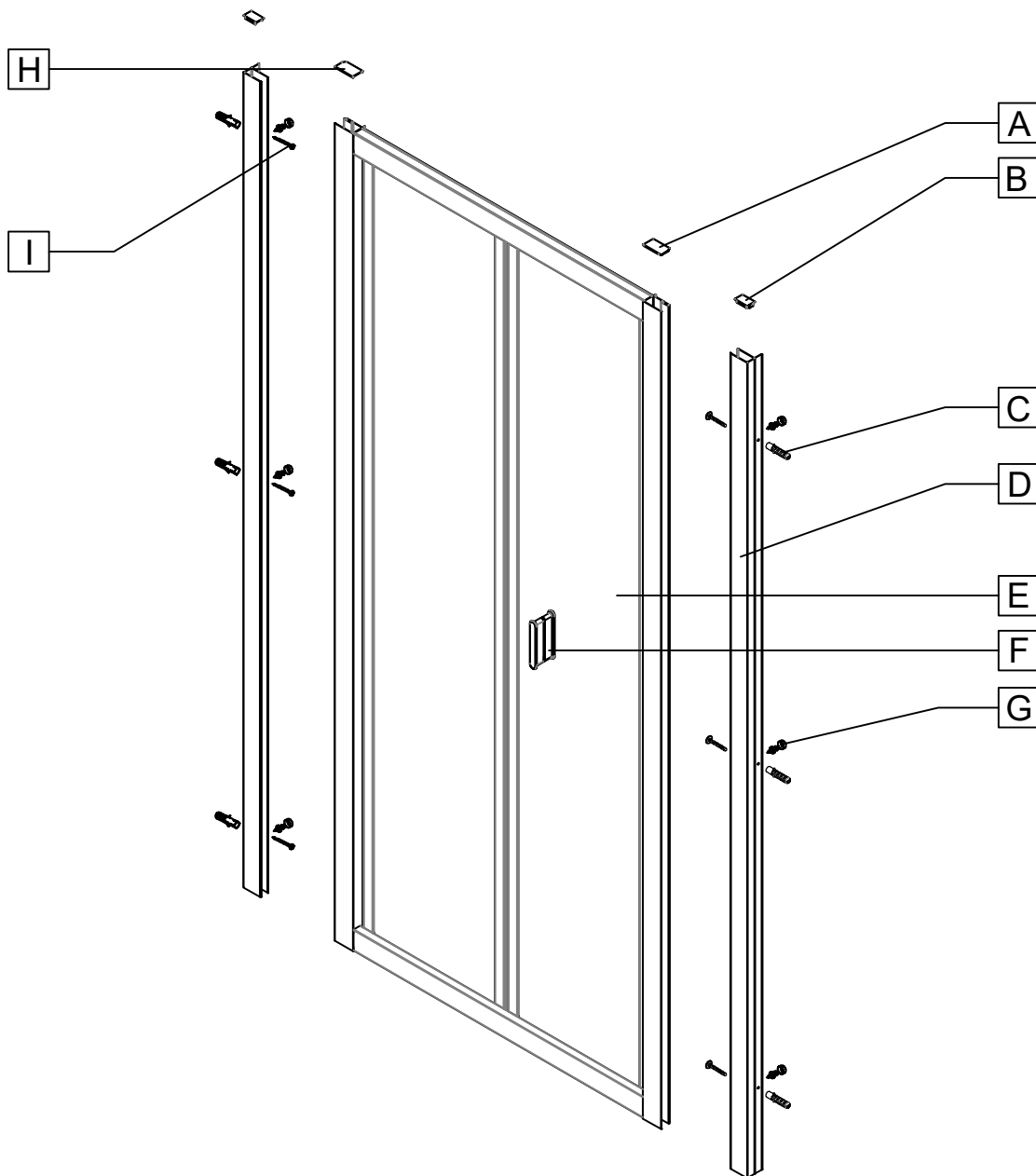
Model: S131684CA-ENG

Dimensions: 700,800,900

Description: Shower Enclosure

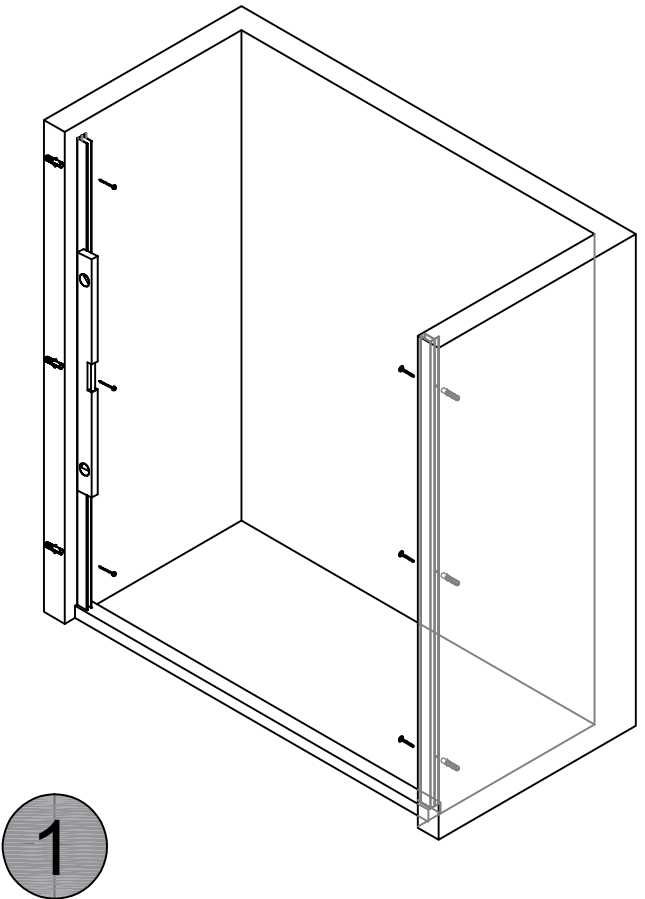
A

PARTS DRAWING

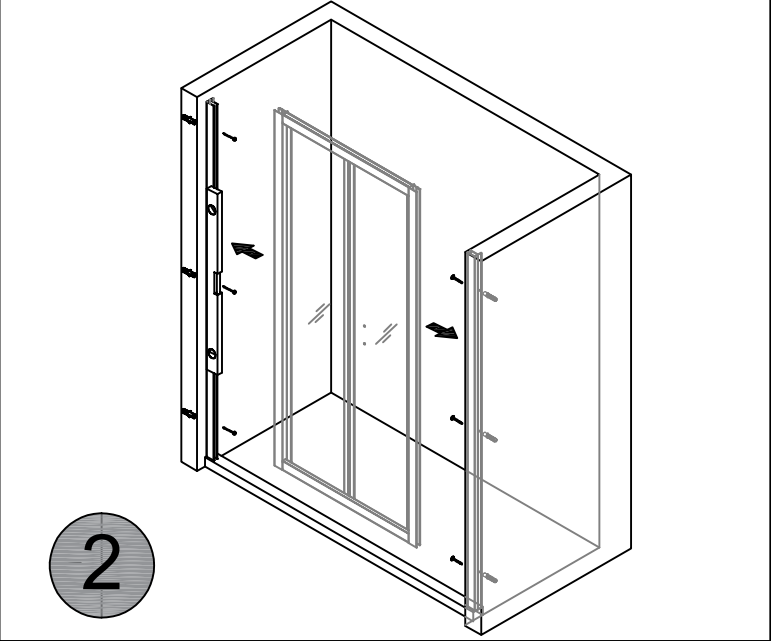
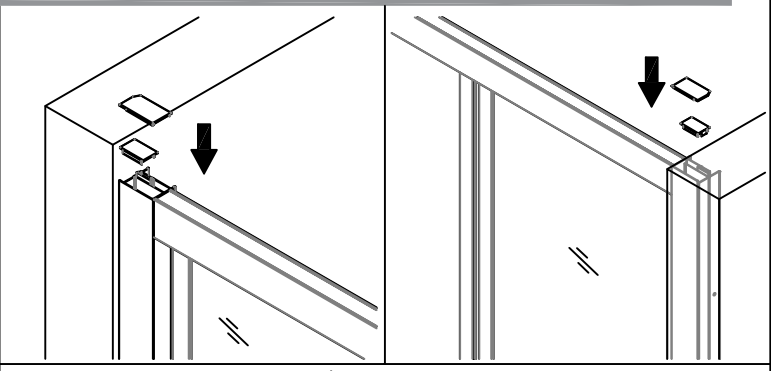


E

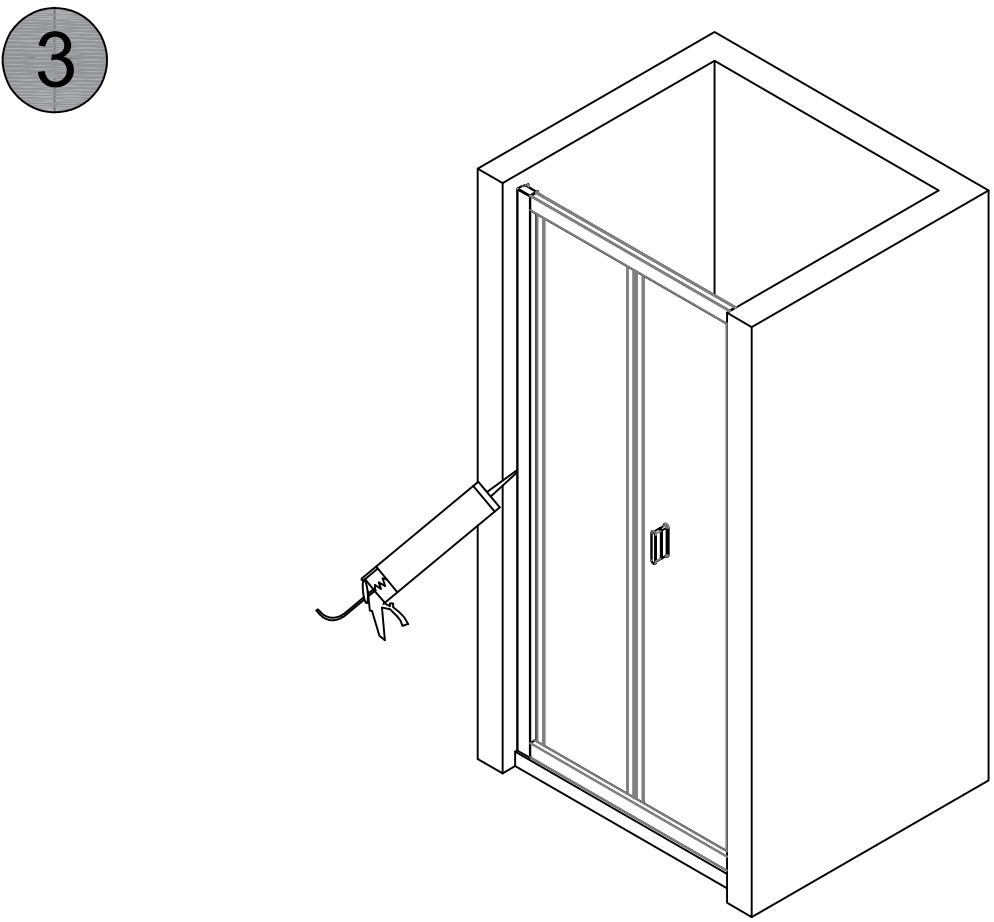
Installation steps



1



2









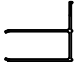


3

⌚ 24 H



F

PARTS LIST

NO.	Picture	Description	Quantity	NO.	Picture	Description	Quantity
A		The right block	1	F		Handle	1
B		Block	2	G		Nut block	6
C		Expansion of colloidal particles	6	H		The left block	1
D		Against the wall aluminum	2	I		ST4x30 screws	6
E		Frame	1				

G

MAINTENANCE AND SERVICE

- Do not allow the children, elder and disabled person into the shower room alone.
- Do not climb the shower room or hang the heavy object on the shower room.
- Do not fractionize or knock at the shower room with hard object, to avoid damage.
- Do not let the burning cigarette near or let the cigarette ash fall on the shower tray of shower room, to avoid the fire or damage of object.
- Pay attention to high-low drop when entering the shower room to avoid falling.
- When entering the shower room, do not put the hands into the door to avoid injury.
- General there should be soapy water in the shower room, so you should be very careful to avoid sliding down.
- The better ventilation of shower room should be kept, to avoid the moisture staying in the shower room for a long time, resulting in the mildew and abnormal smell.
- The neutral liquid detergent and soft cloth should be used for cleaning. Do not use acid cleaning agent. And the use of strong alkaline cleaning agent, rain water, alcohol, acetone, ammonia etc. organic solvents and strong detergents should be strictly prohibited.
- The wet soft cloth can drip a little toothpaste to wipe up the scale produced on the surface of shower tray.
- If the glass sealing glue is fallen down, the water leakage may be caused. Therefore, once the falling phenomenon occurs, please re-fill this sealing glue.
- Please keep the shower tray clean, to avoid the hair etc. impurity block the drain outlet.