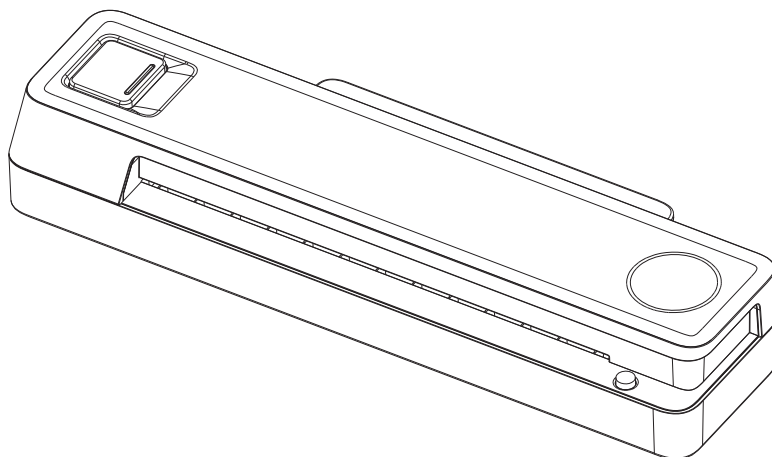


# B O N S E N

## Thermal Laminator User Manual Model No.L3103




Made in China


Customer Service: [support@bonsenglobal.com](mailto:support@bonsenglobal.com)

## IMPORTANT SAFETY INSTRUCTIONS

The machine is for indoor use only. Plug the machine into an easily accessible outlet. To prevent electric shock, do not use the laminator close to water. Do not spill water on to the appliance, power cord or wall socket.

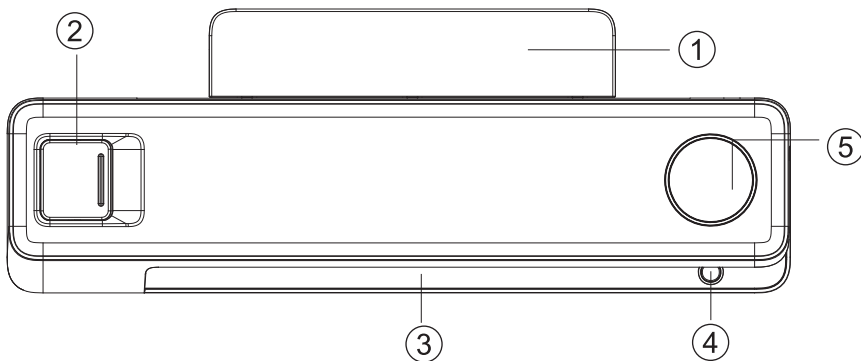
- CAUTION: This equipment is not intended for use by children. Avoid touching the media feed opening with the hands, clothing or hair. Unplug this equipment when not in use for an extended period of time. Hazardous moving part is in this equipment, keep body parts away

from moving parts. 

- CAUTION: Do not touch. 
- DO ensure the machine is on a stable surface.
- DO test laminate scrap sheets and set the machine before final laminations.
- DO remove staples and other metal articles prior to laminating.
- DO keep the machine away from heat and water sources.
- DO turn off the machine after each use.
- DO unplug the machine when not in use for an extended period.
- DO use pouches designed for use at the appropriate settings.
- DO keep away from pets, while in use.
- DO NOT leave the power cord in contact with hot surfaces.
- DO NOT leave power cord hanging from cupboards or shelves.
- DO NOT use appliance if the power cord is damaged.
- DO NOT exceed the machines quoted performance.
- DO NOT allow children to use this machine without adult supervision.
- DO NOT laminate sharp or metal objects (e.g. staples, paper clips).
- DO NOT laminate heat-sensitive documents (e.g. tickets, ultrasounds etc) on hot settings.

- DO NOT laminate an empty pouch.
- The laminator is not intended for commercial or industrial applications
- After 2 hours of operation the appliance must be allowed to cool down for at least half an hour (Switch off).

## Description



- 1、 Support pallet
- 2、 Anti-Blocking Switch(ABS)
- 3、 Pouch/ Document Entry Slot
- 4、 ON/OFF Switch
- 5、 Mode

## Laminating

- Only use special films designed for laminating.
- Before final laminating, test laminate scrap sheets and set the machine.
- Remove staples and other metal articles before laminating.
- Heat-sensitive documents (e.g. tickets, ultrasounds etc) cannot be laminated on hot settings.
- Don't laminate an empty pouch.

## **INITIAL USE**

As there is air moisture remained in the heating element (Especially in humid areas), it is normal that there will be slight smell or smoke (which is the air moisture vapor) when the machine is used for the first few times. Before laminating your file for the first few times, it is highly recommended to run for 30 minutes in an open place.

## **SETTING UP THE LAMINATOR**

- 1.Ensure the machine is on a stable surface.
- 2.Check there is enough clear space (min 20") behind the machine to allow items to pass through freely.
- 3.Plug the machine into an easily accessible main socket.

## **HOW TO LAMINATE**

- 4.Plug in the rated power supply, press the power switch, the heating status light ring gradually lights up after a circle, the light ring is always on, and at the same time, the four MODE lights of the mode adjustment touch panel light up one by one and then all lights on, and the machine enters the standby state , Touch the cold mode, the other three gear lights go out, and the machine can be overcooled at this time;
- 5.Touch the 3MIL over-gluing gear, the 3MIL indicator light is always on, the other three gear lights are off, the machine has entered the preheating stage, and the heating status light gradually lights up. When the light ring is all on, it means the machine has been preheated. Can pass 3MIL film normally;
- 6.Touch the 5MIL over-gluing gear, the 5MIL indicator light is always on, the other three gear lights are off, the machine has entered the preheating stage, and the heating status light gradually lights up. When the light ring is all on, it means that the machine is preheated. Can pass 5MIL film normally;
- 7.Touch the 6MIL over-gluing gear, the 6MIL indicator light is always on, the other three gear lights are off, the machine has entered the preheating stage, and the heating status light gradually lights up. When the light ring is all on, it means that the machine is preheated. Can pass 6MIL film normally;



8. When the machine is over glue, press the release button and the machine will stop gluing. At this time, the glue film can be easily pulled out;
9. When the machine is switched from other gears to the cold mounted gear, the heating status light ring will gradually go out. When the temperature drops to 45 degrees, the heating status light ring will all go out. After 1 second, the heating status light ring will all be on. When the machine can cold glue;
10. Press the power switch to the up state, all lights are off, indicating that the machine has been powered off;

## **JAMMED POUCHES**

In case the pouch may be pulled in at an angle or jam itself inside the device, please proceed as follows.

1. Press the anti- blocking switch (ABS) and the transport of the pouch will stopped.
2. Laminating pouch is not pulled in any further.
3. Pull out the laminating pouch by hand.
4. Re-start the laminating process.

## **MAINTENANCE & CLEANING**

Switch off the machine at the wall. Allow the machine to cool.

The outside of the unit can be cleaned with a damp cloth. Do not use solvents or flammable materials for cleaning. Cleaning the internal parts of the unit from possible contamination. When the machine is warm - run the cleaning sheets, like a matte cardboard of approx.250 g/m' or a special blotting paper to residue off the rollers. For optimum performance, it is recommended that cleaning sheets are used with the machine regularly.

## Introduction of Paper Trimmer

- Trimmer for straight cuts
- Cutting length up to 31 cm
- Simple and safe cutting, without support
- No risk of injury
- Convenient to carry around, save space



## Introduction of Corner Rounder



Use to trim and round the sharp corners of laminated documents, cartons, photos, paper etc.



The waste stored in a special compartment.

## PACKAGE INSIDE:

1 x Thermal Laminator  
1 x Corner Rounder  
50 x Pouches

1 x Paper Trimmer  
1 x User Manual

## TECHNICAL DATA

Mains Voltage (V)	120VAC, 60Hz
Product Dimension (inches)	18.98 x 4.72 x 3.07 inches
Pouch thickness(mil)	3mil/5mil/6mil
Warm-Up Time (estimate)	3min-5min. approx.
Laminating Speed	11.81inches/min±5%
Max Document Thickness <small>(laminating capacity)</small>	0.24inches

## WARRANTY

- Warranty for this appliance is for 12-Month from the date of purchase.
- The appliance has been manufactured with care and examined before delivery.
- Please retain your receipt as proof of purchase. In the case of a warranty claim, please make contact with our Customer Service.

## NOTICE

- This product is for domestic use only and is not intended for commercial use.
- Warranty covers only claims for material and manufacturing defects, but not for transport damage, wearing parts or for damage to fragile components, e.g. buttons or batteries.
- Warranty is void in the case of abusive and improper handling, use of force and internal tampering not carried out by our authorized service branch.
- Your statutory rights are not restricted in any way by this warranty.
- The warranty period is not extended by repairs made under the warranty. This applies also to replaced and repaired parts.

Register your product at **support@bonsenglobal.com**  
to get more perks!

## **BONSEN ELECTRONICS INC.**

📍 : 5805C Peachtree Corners East  
Norcross,GA,30092

☎ : 1-844-728-6917

✉ : support@bonsenglobal.com