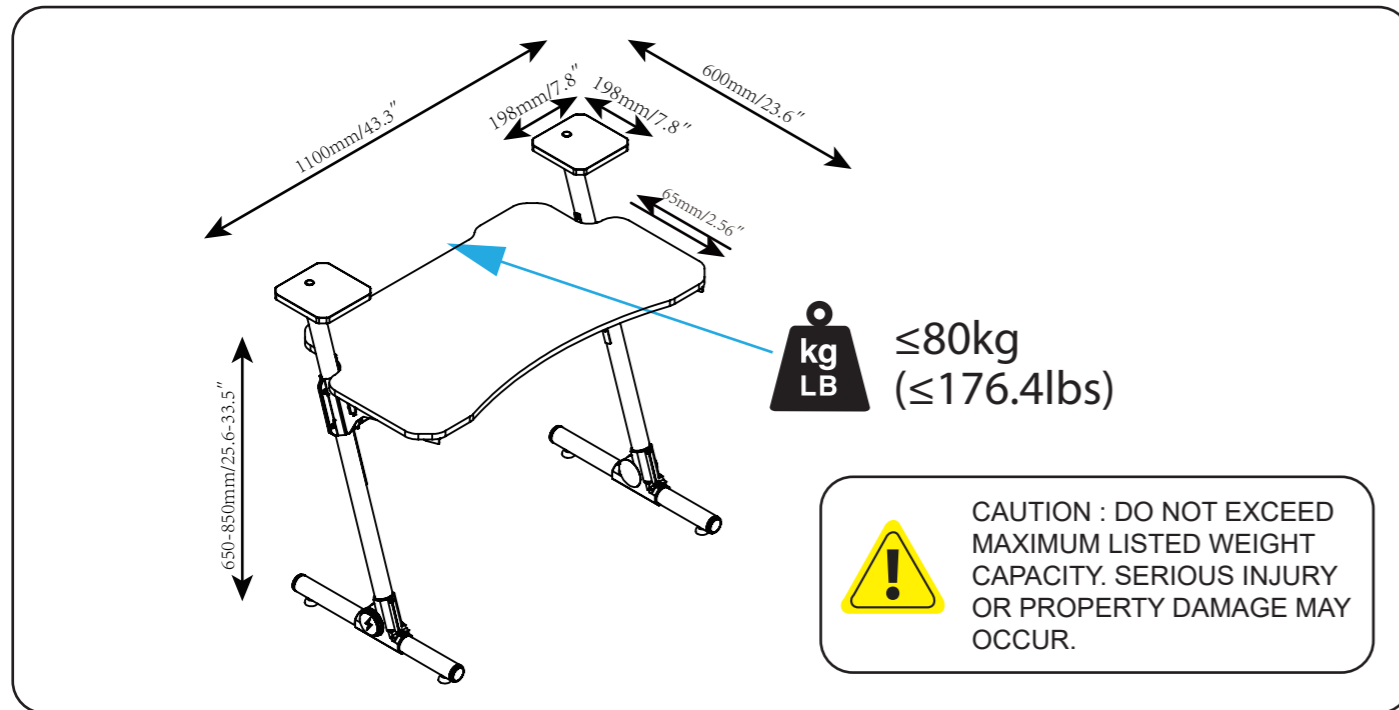
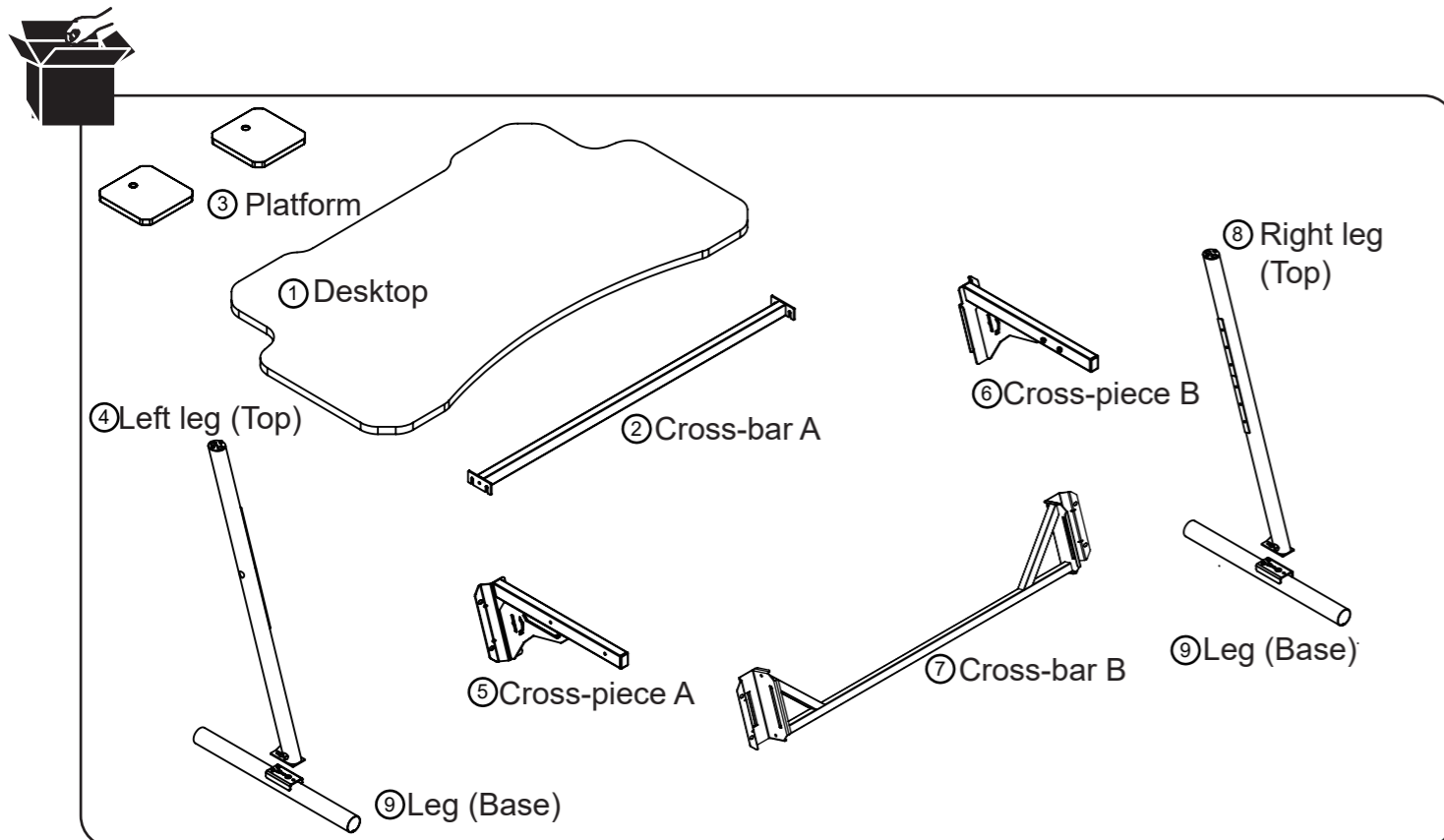


OS-GD22X Gaming desk

MOUNTING INSTRUCTIONS

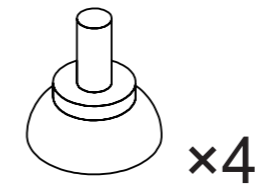


PARTS LIST

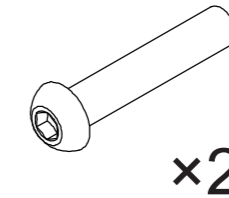


PARTS LIST

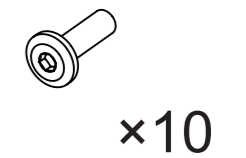
A) Adjustable pad



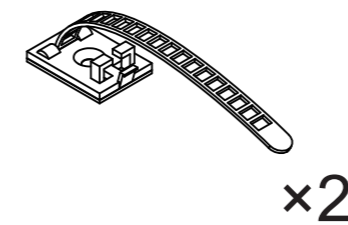
B) M6×60mm



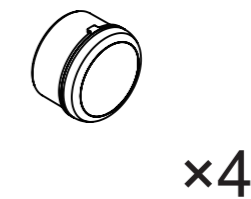
C) M6×20mm



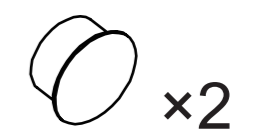
D) Cable management



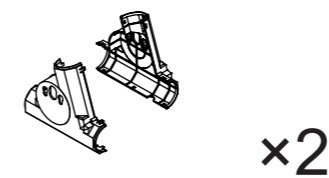
E) Plastic cover



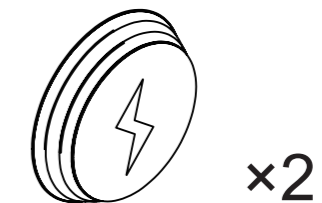
F) Plastic cap



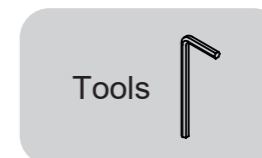
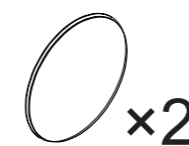
G) Leg down plastic cover



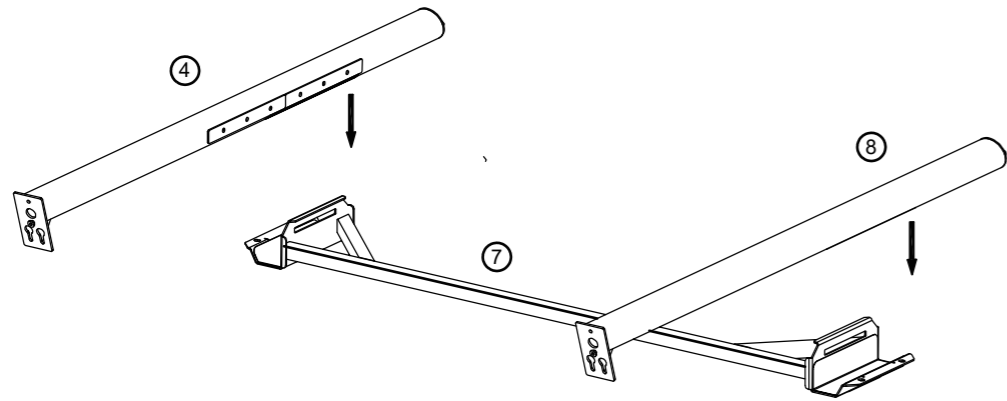
H) Decorative cover



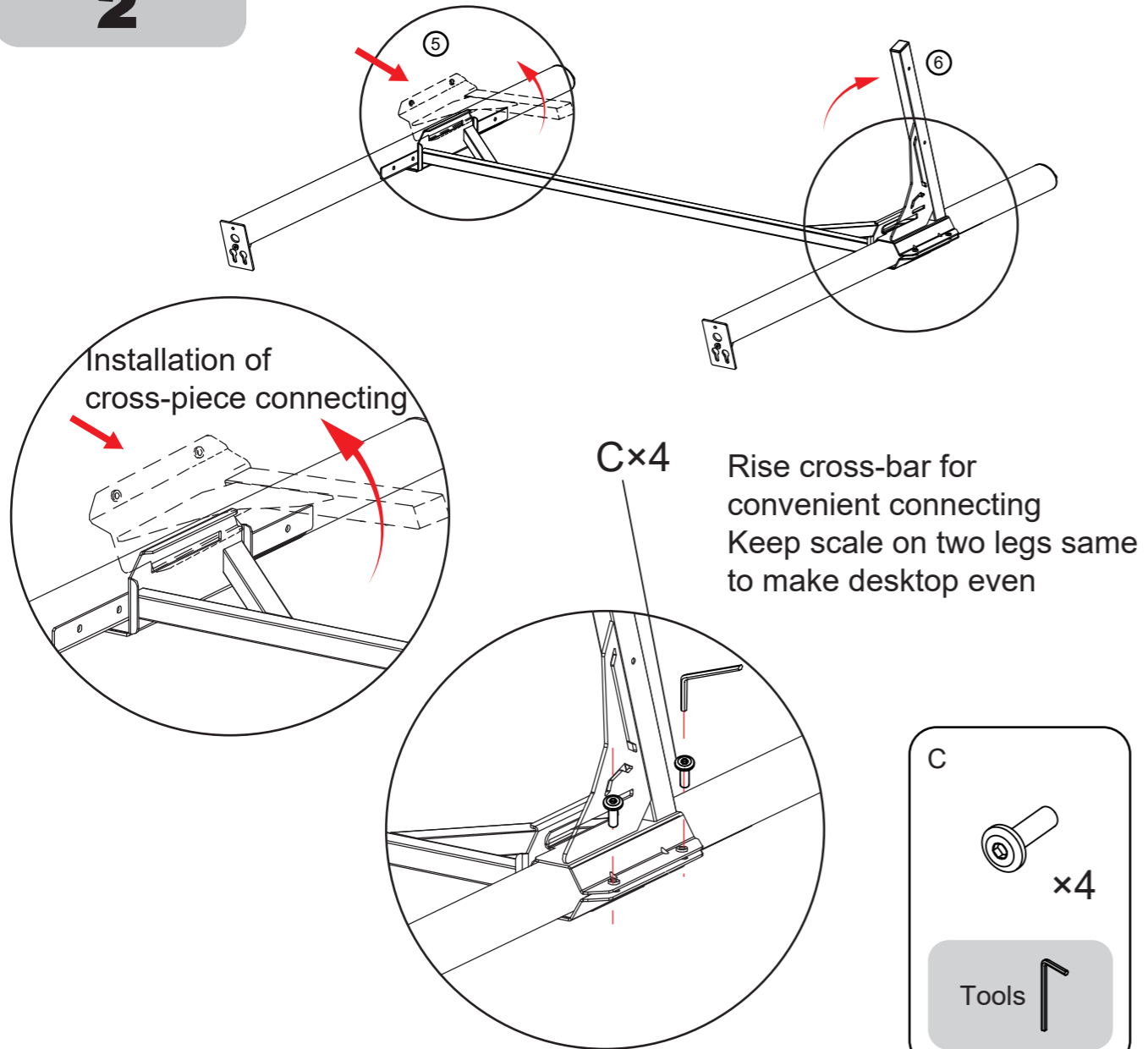
I) Sticker



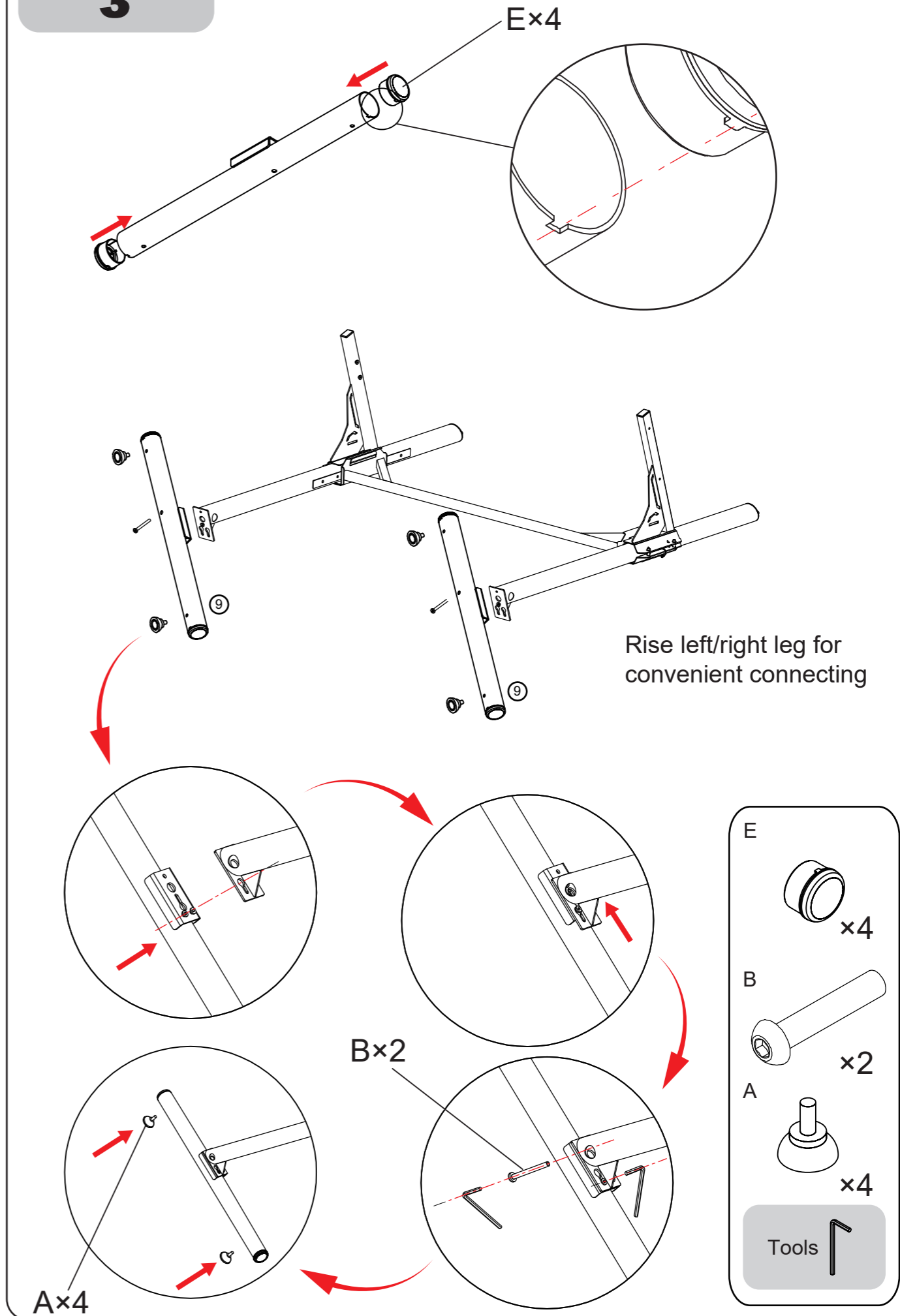
1



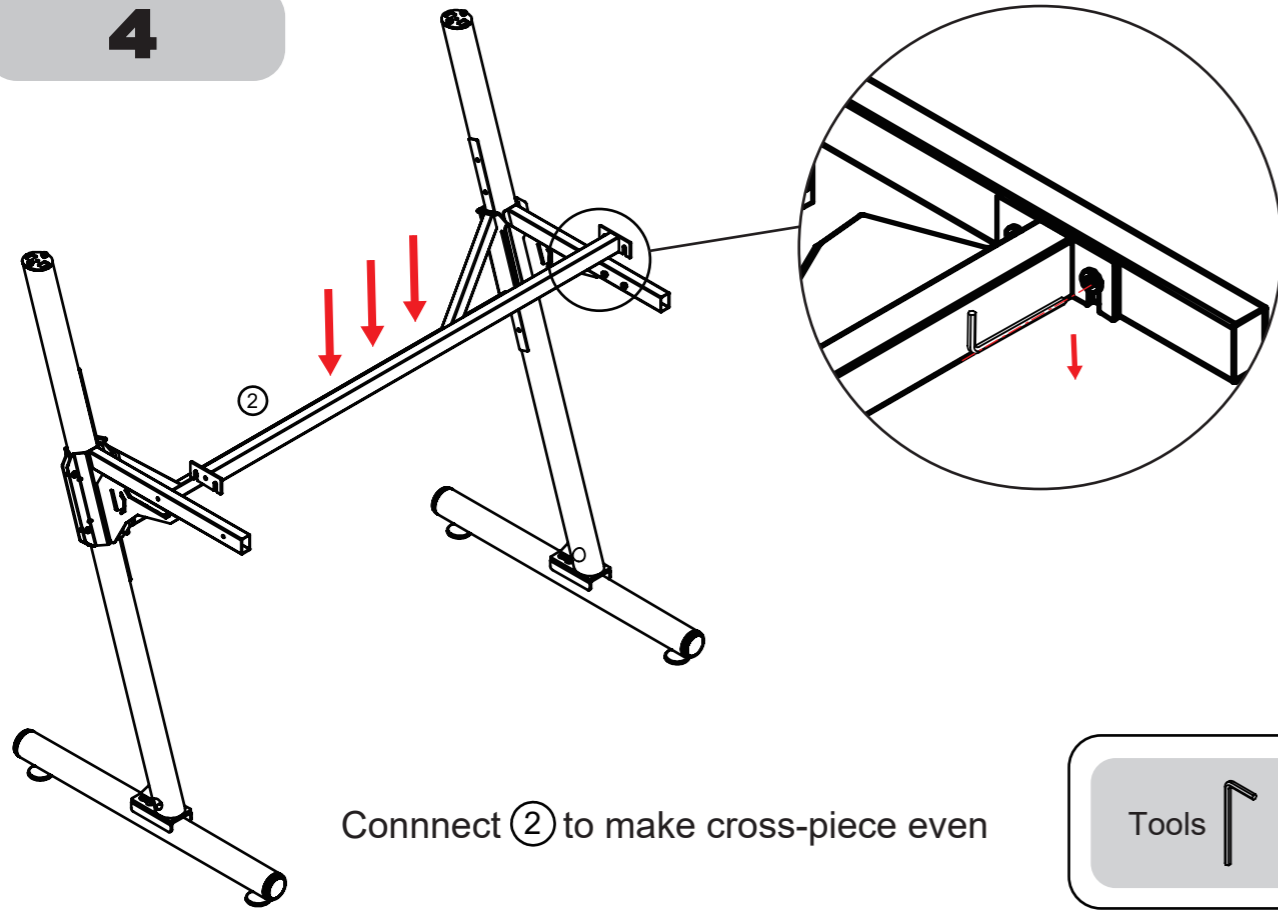
2



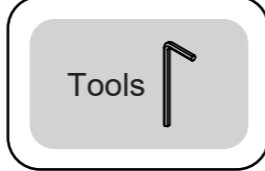
3



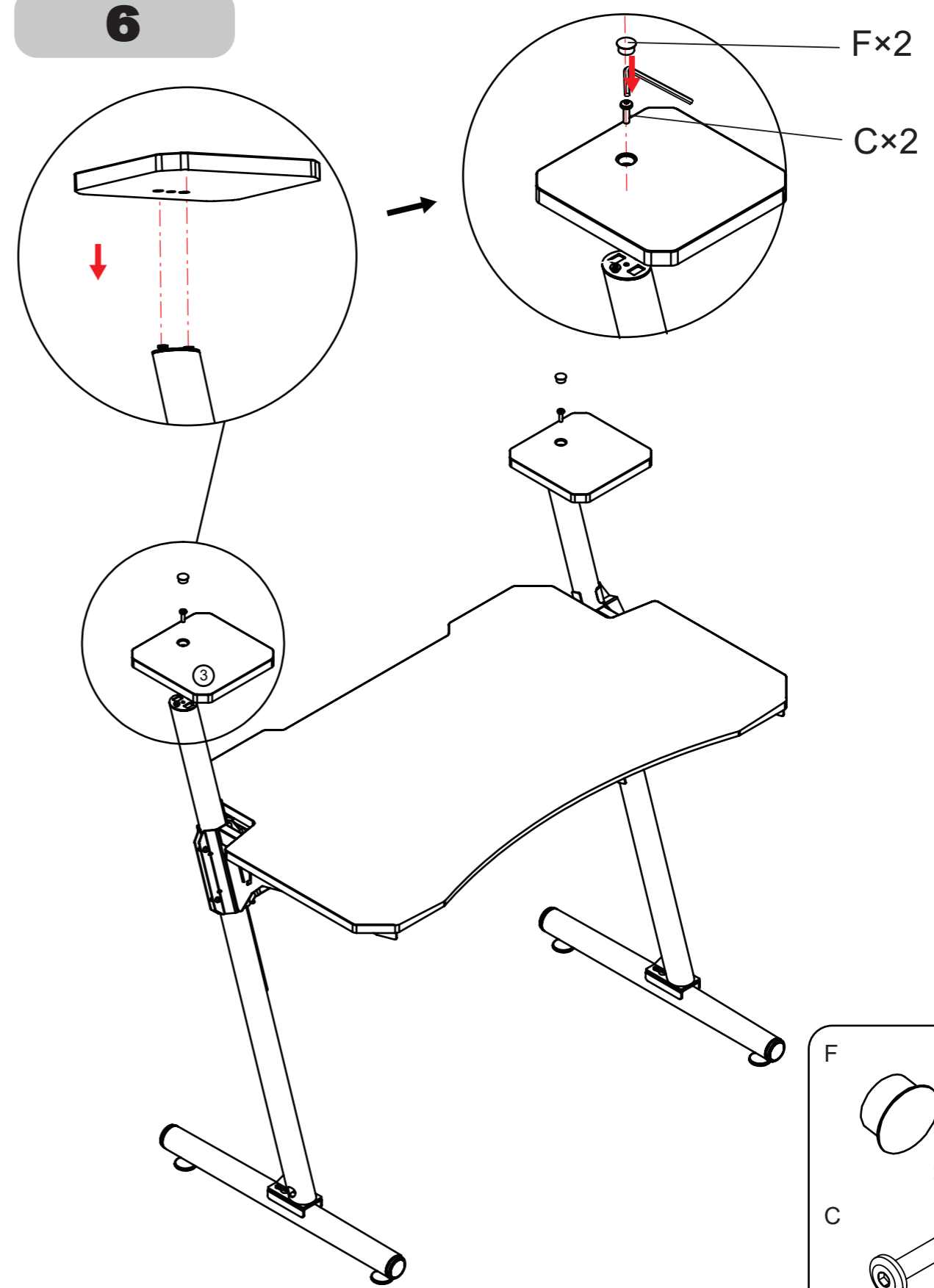
4



Connect ② to make cross-piece even

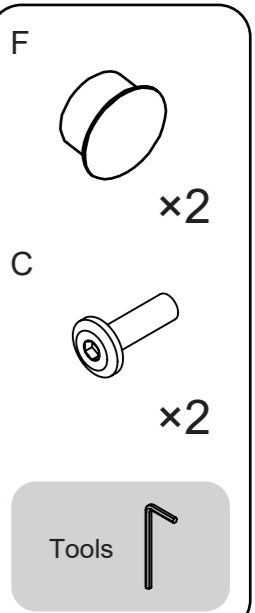


6

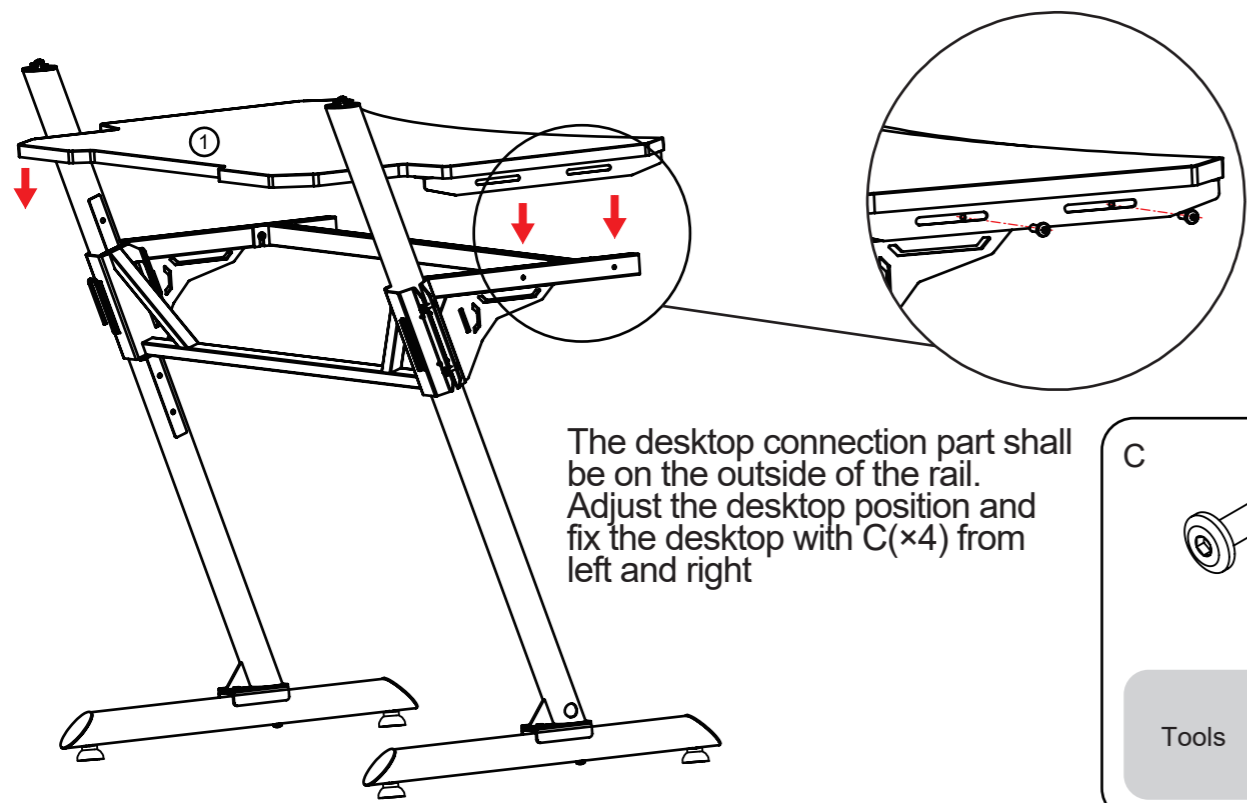


F×2
C×2

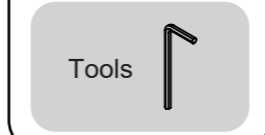
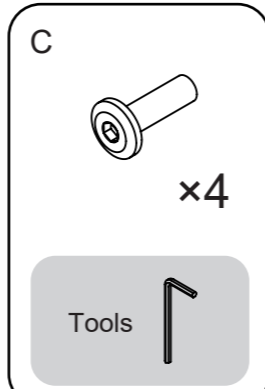
Fix the small trays with D (×2),
cover with J (×2)



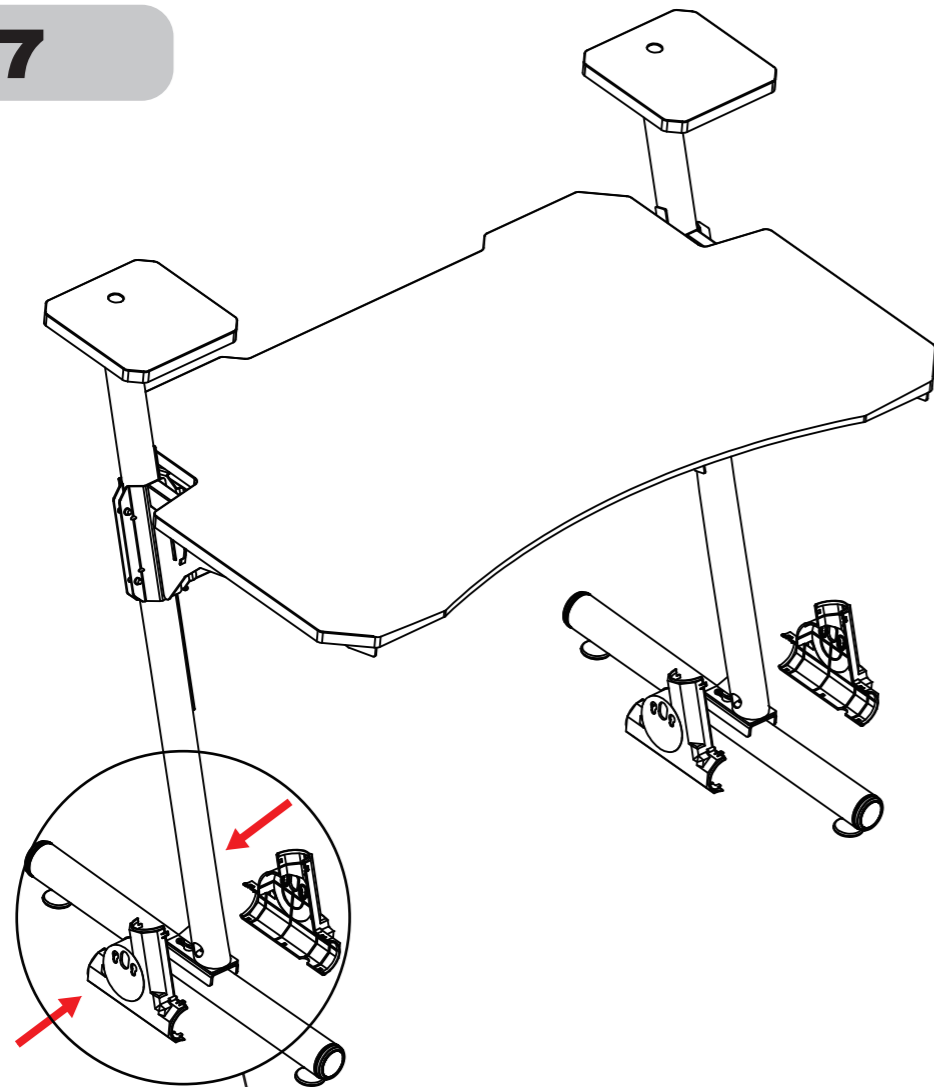
5



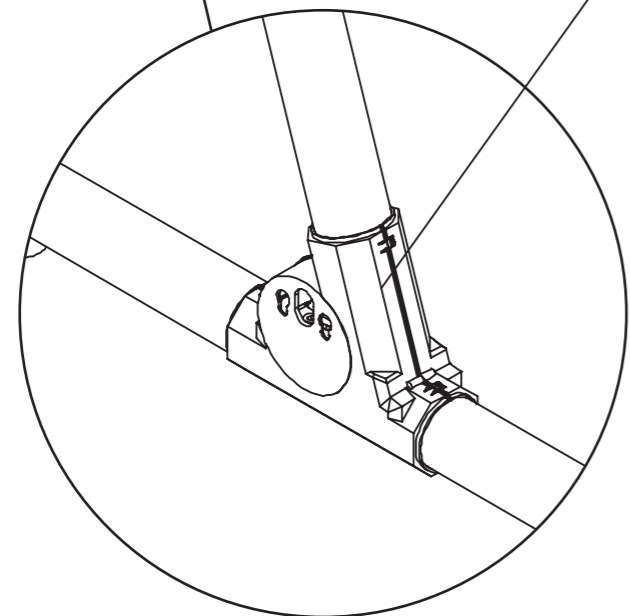
The desktop connection part shall be on the outside of the rail.
Adjust the desktop position and fix the desktop with C(×4) from left and right



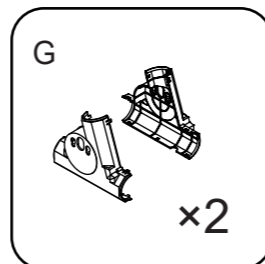
7



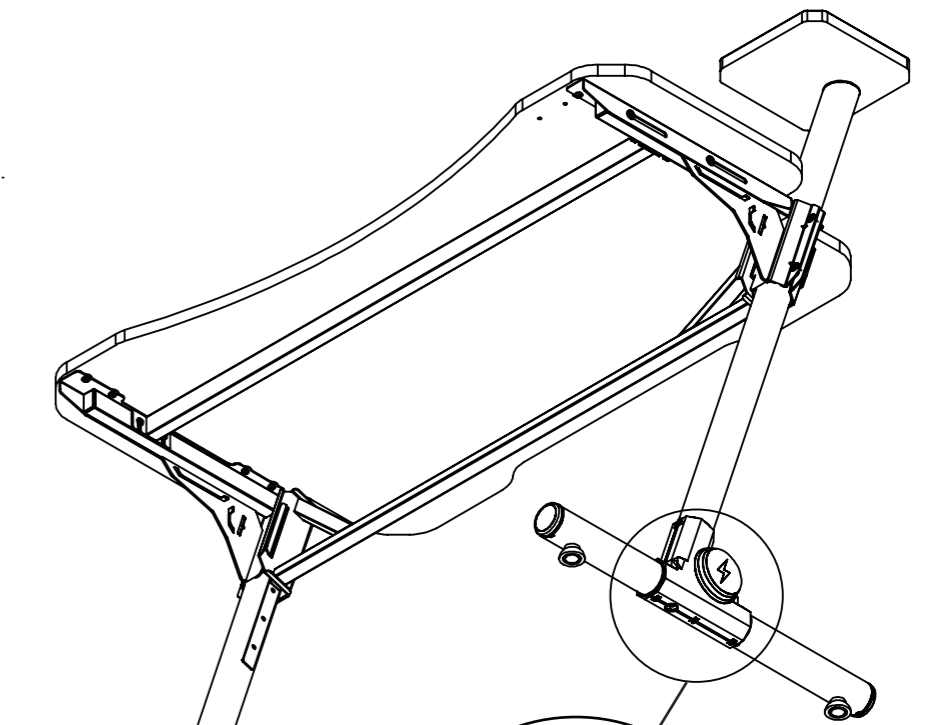
G×2



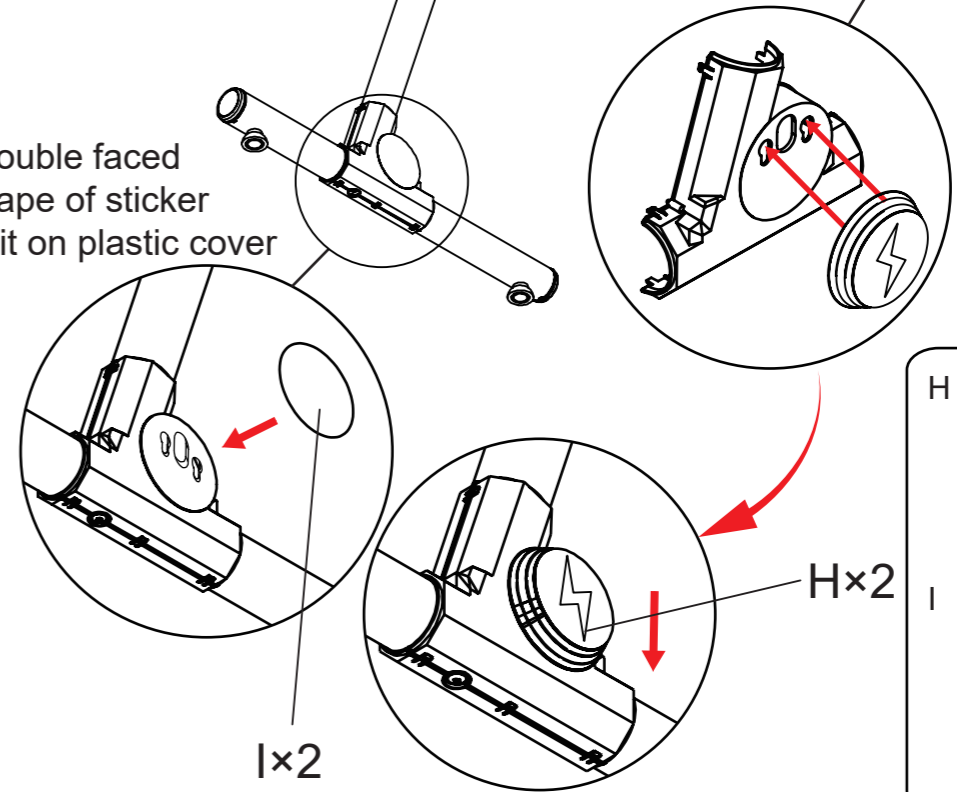
Fix G(×2)



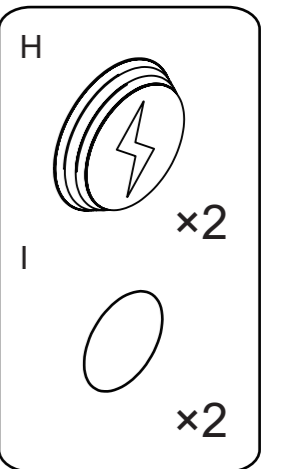
8



Remove double faced adhesive tape of sticker and paste it on plastic cover



Fix H(×2)

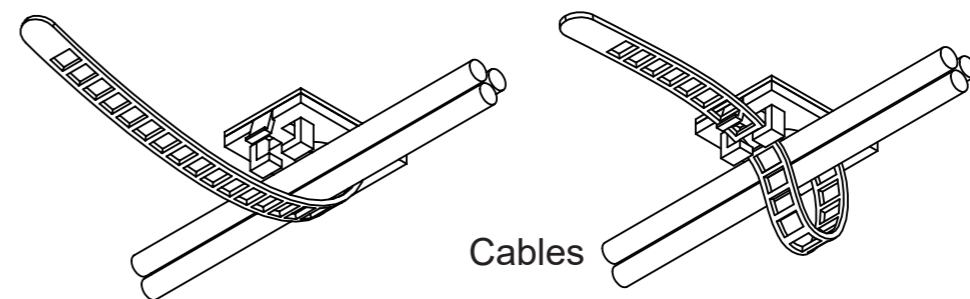


I×2

H×2

Tips

Uncover the back glue of D and stick it under the desktop, D can be used to arrange cables



Cables

