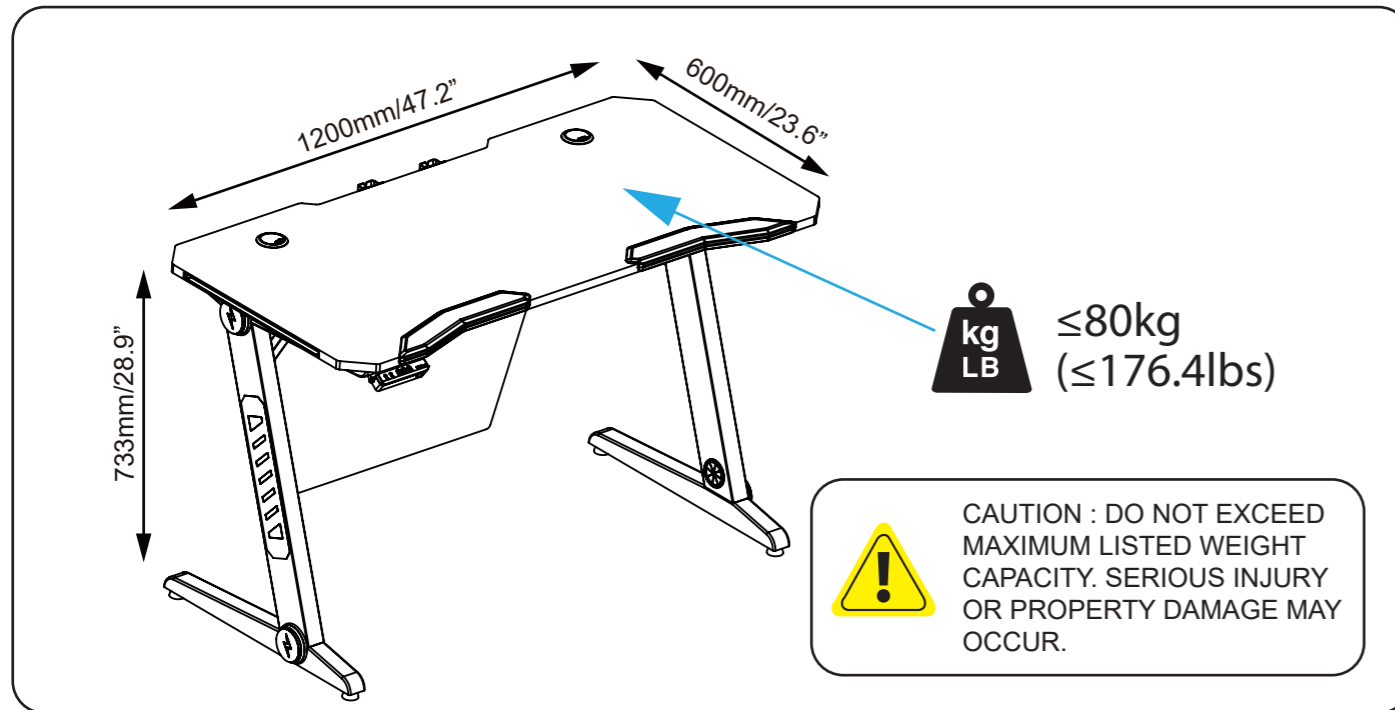
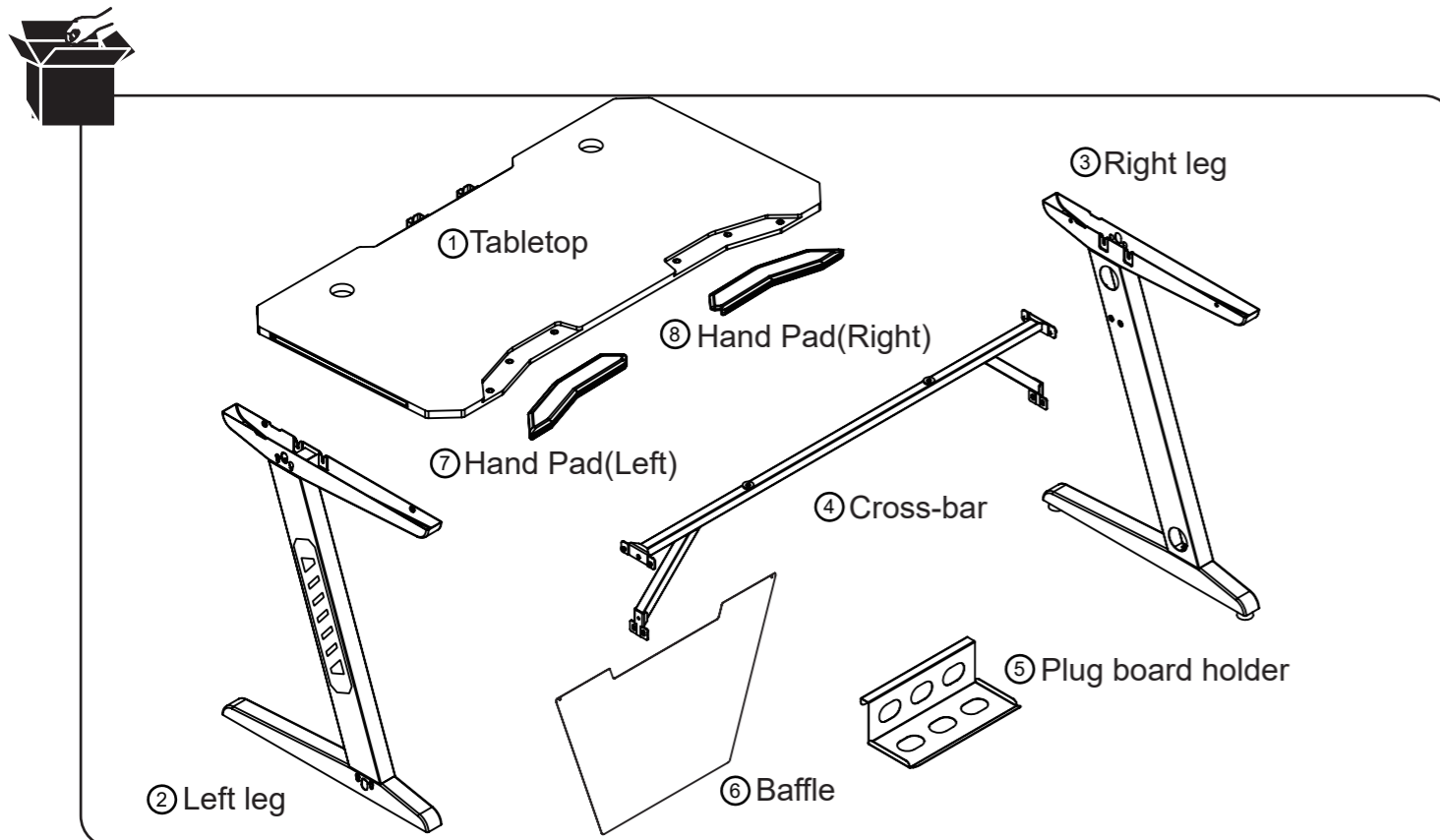


OS-GD21Std-RK Gaming desk

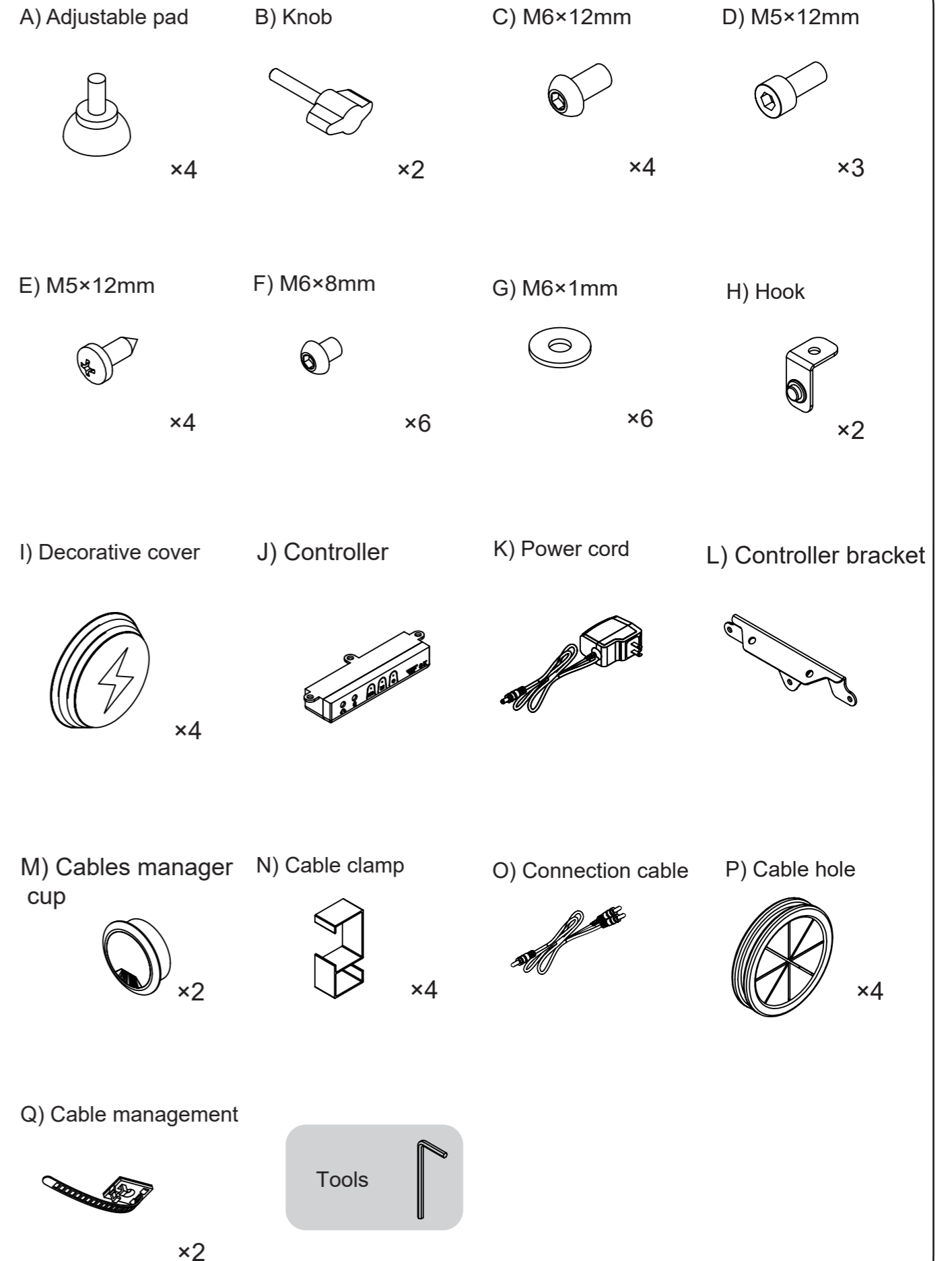
MOUNTING INSTRUCTIONS



PARTS LIST

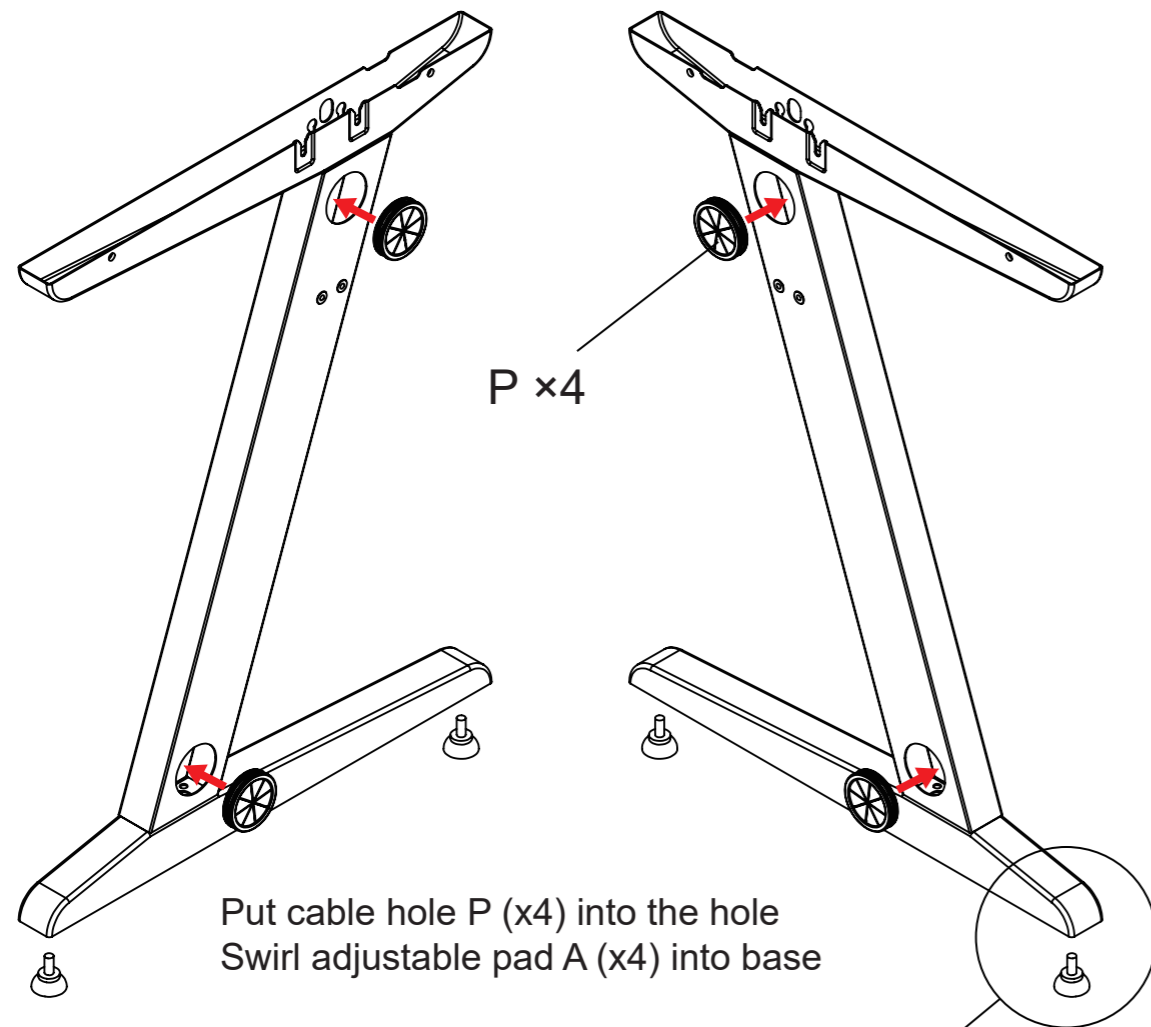


PARTS LIST

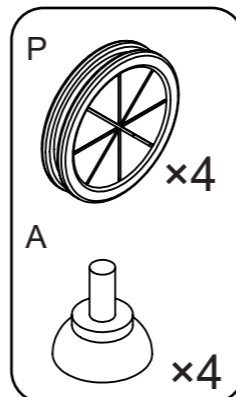
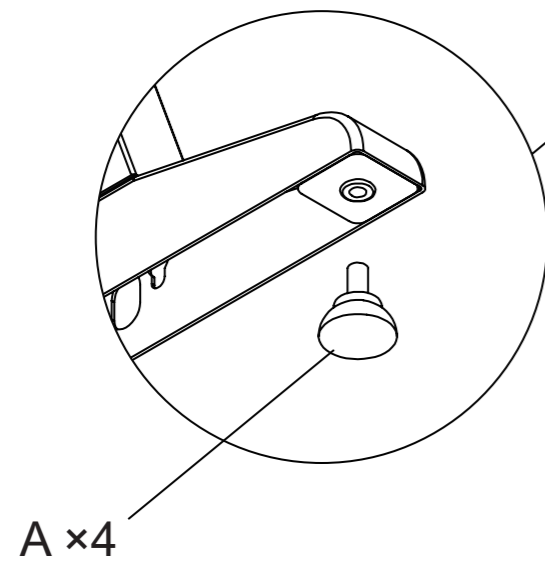


INSTALLATION STEPS

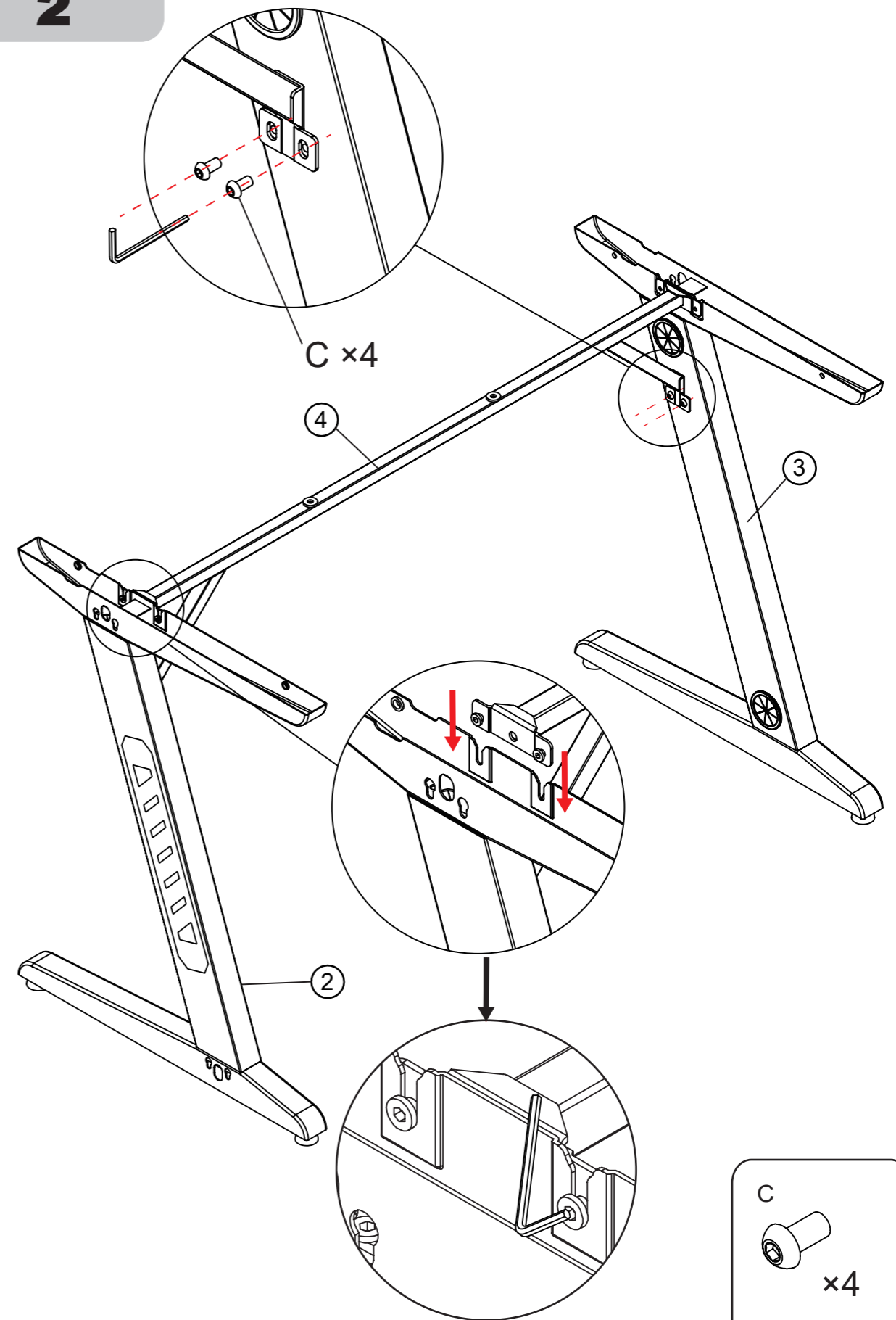
1



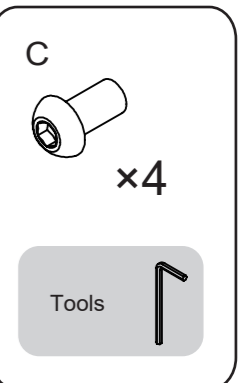
Put cable hole P (x4) into the hole
Swirl adjustable pad A (x4) into base



2

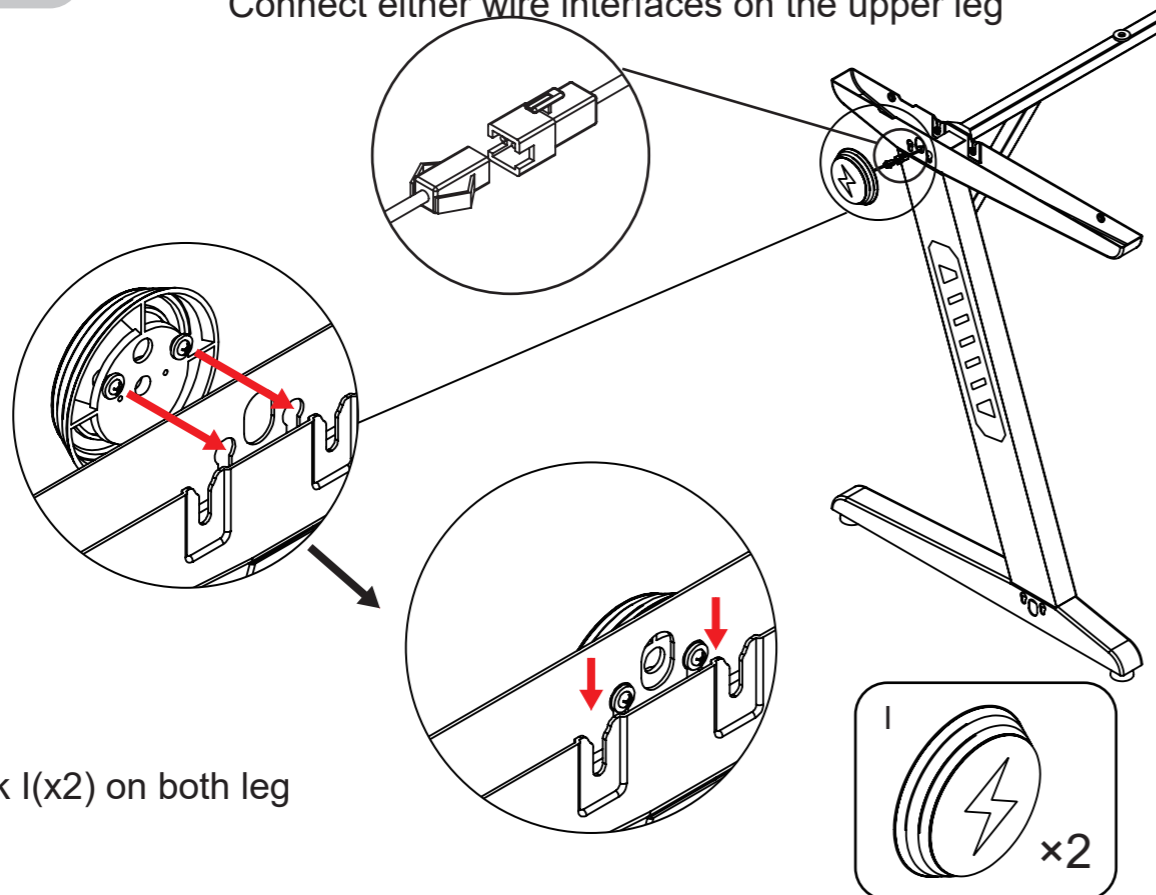


Tighten the screws on the cross-bar with an allen key



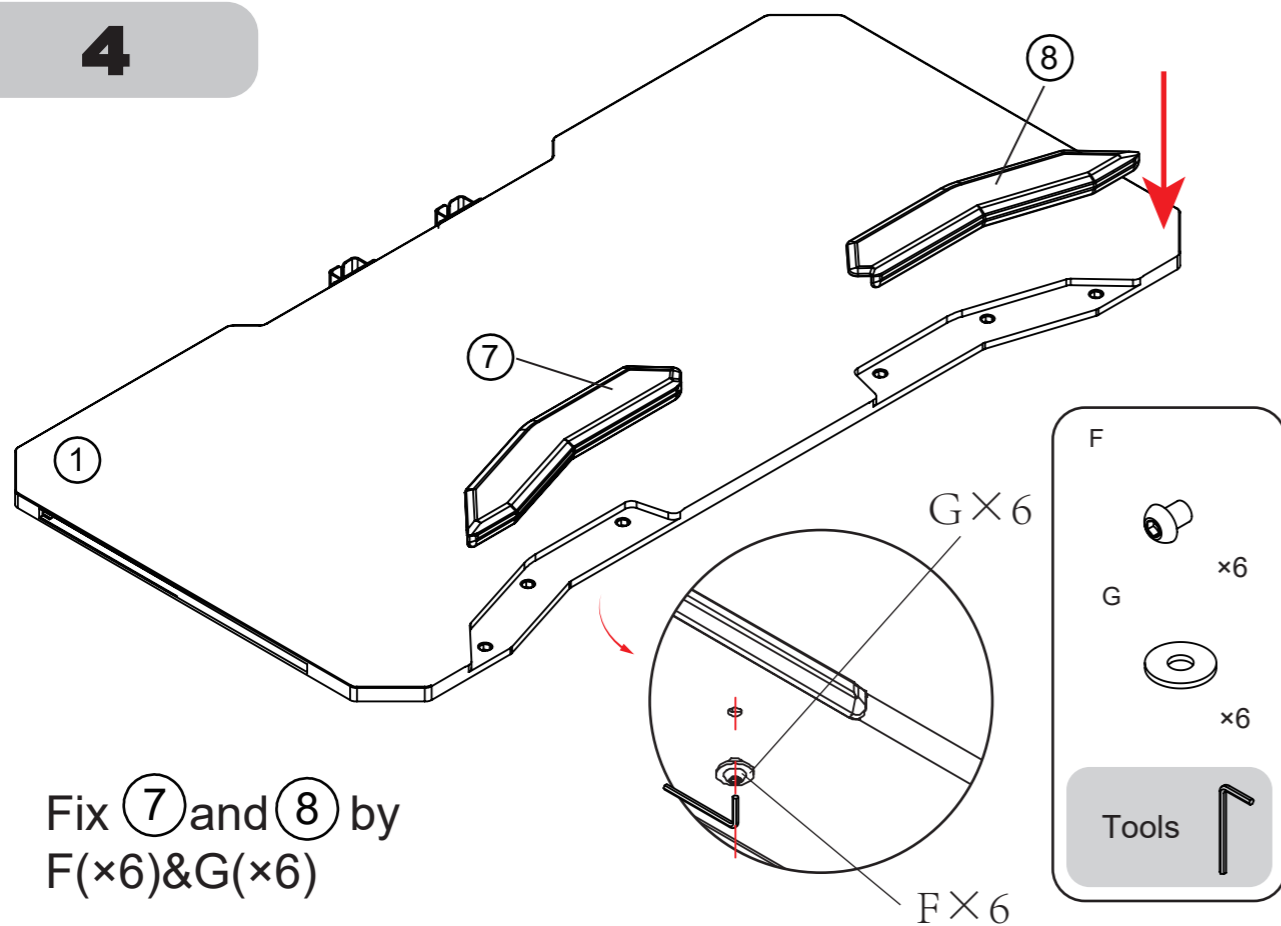
3

Connect either wire interfaces on the upper leg



Lock I(x2) on both leg

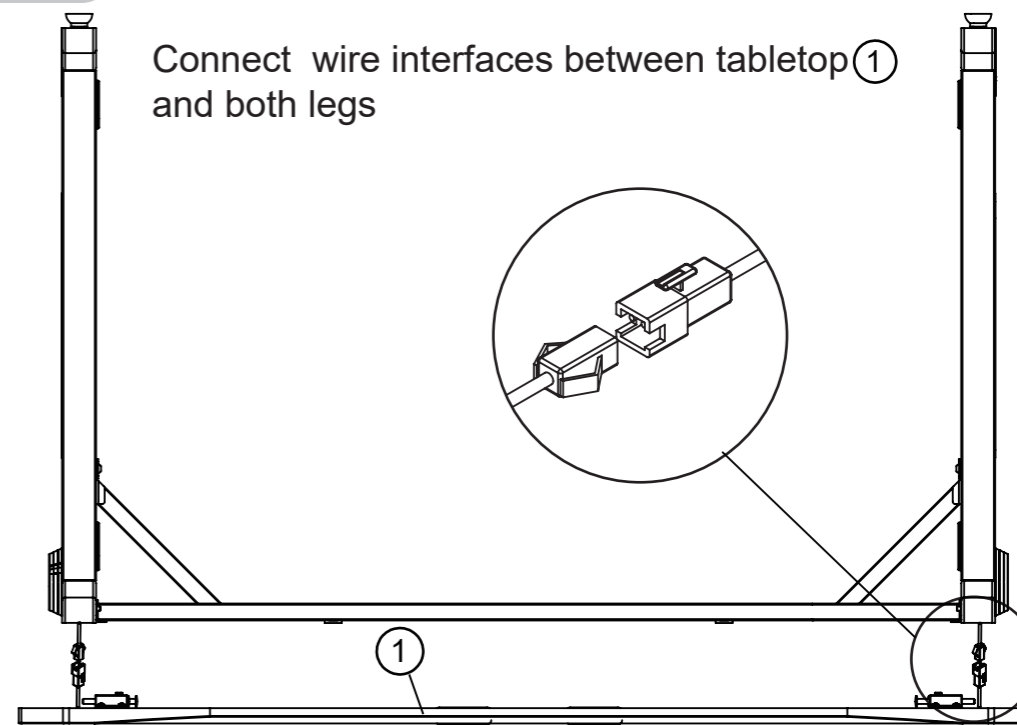
4



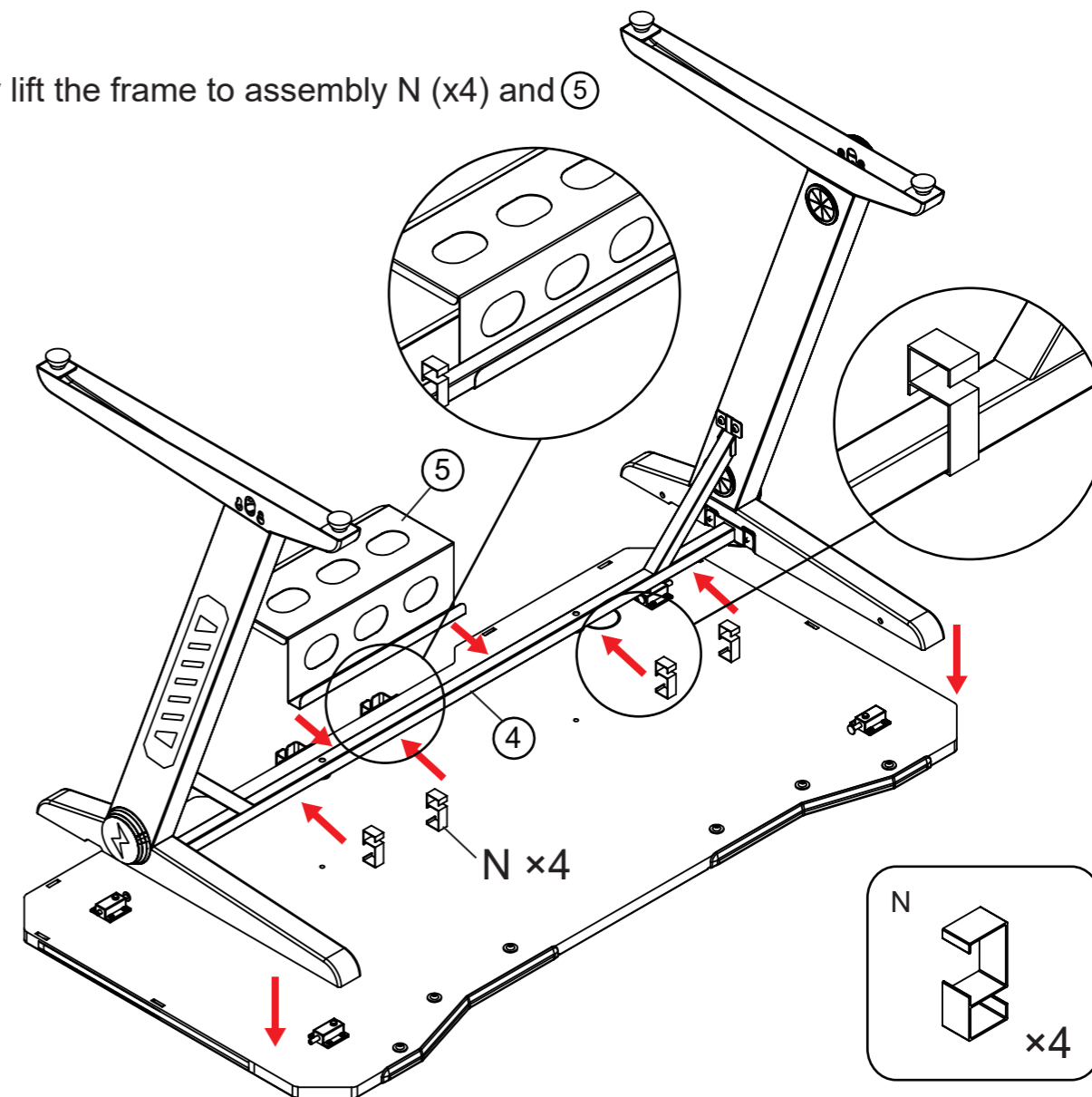
Fix ⑦ and ⑧ by F(x6)&G(x6)

5

Connect wire interfaces between tabletop ① and both legs



Slightly lift the frame to assembly N (x4) and ⑤

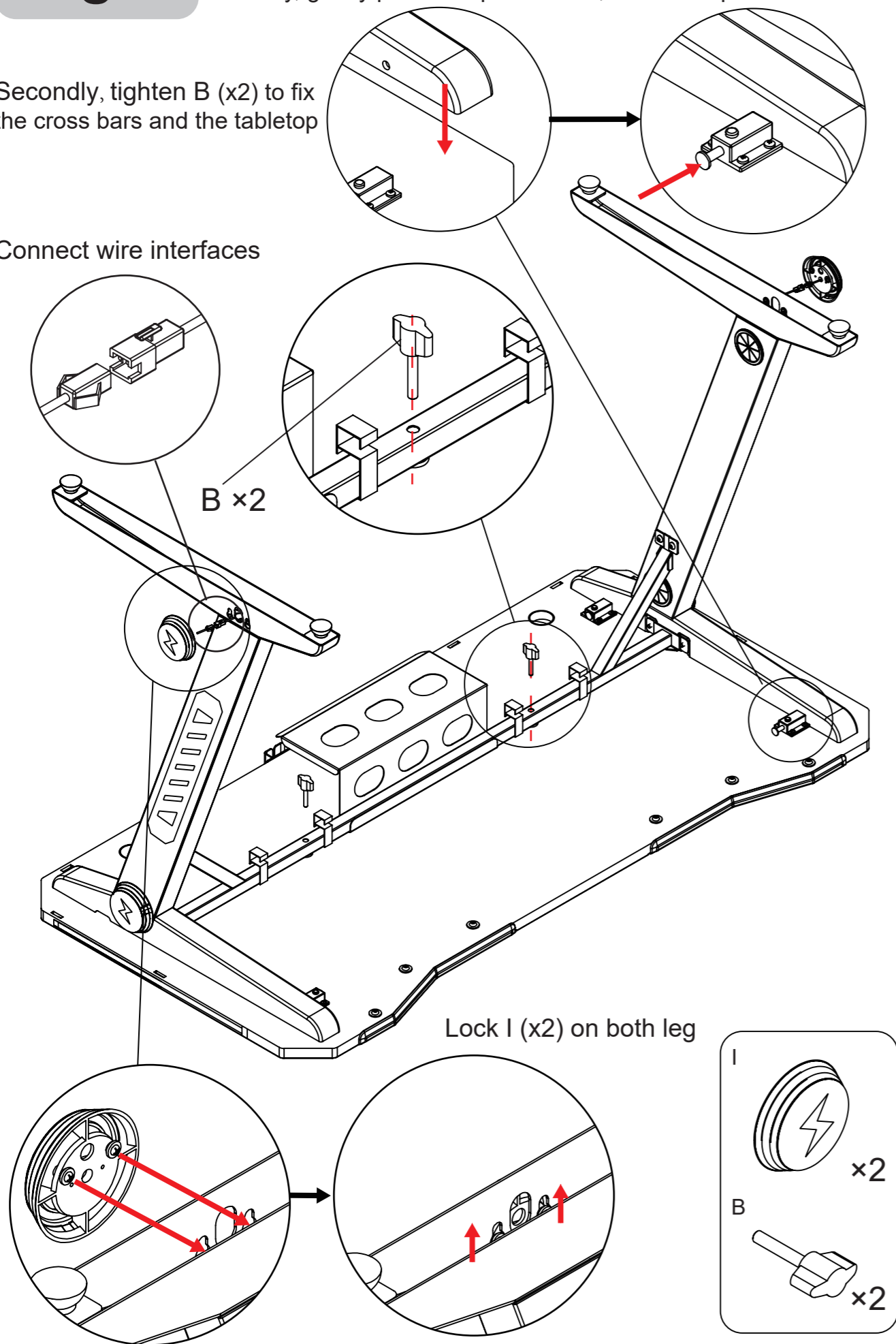


6

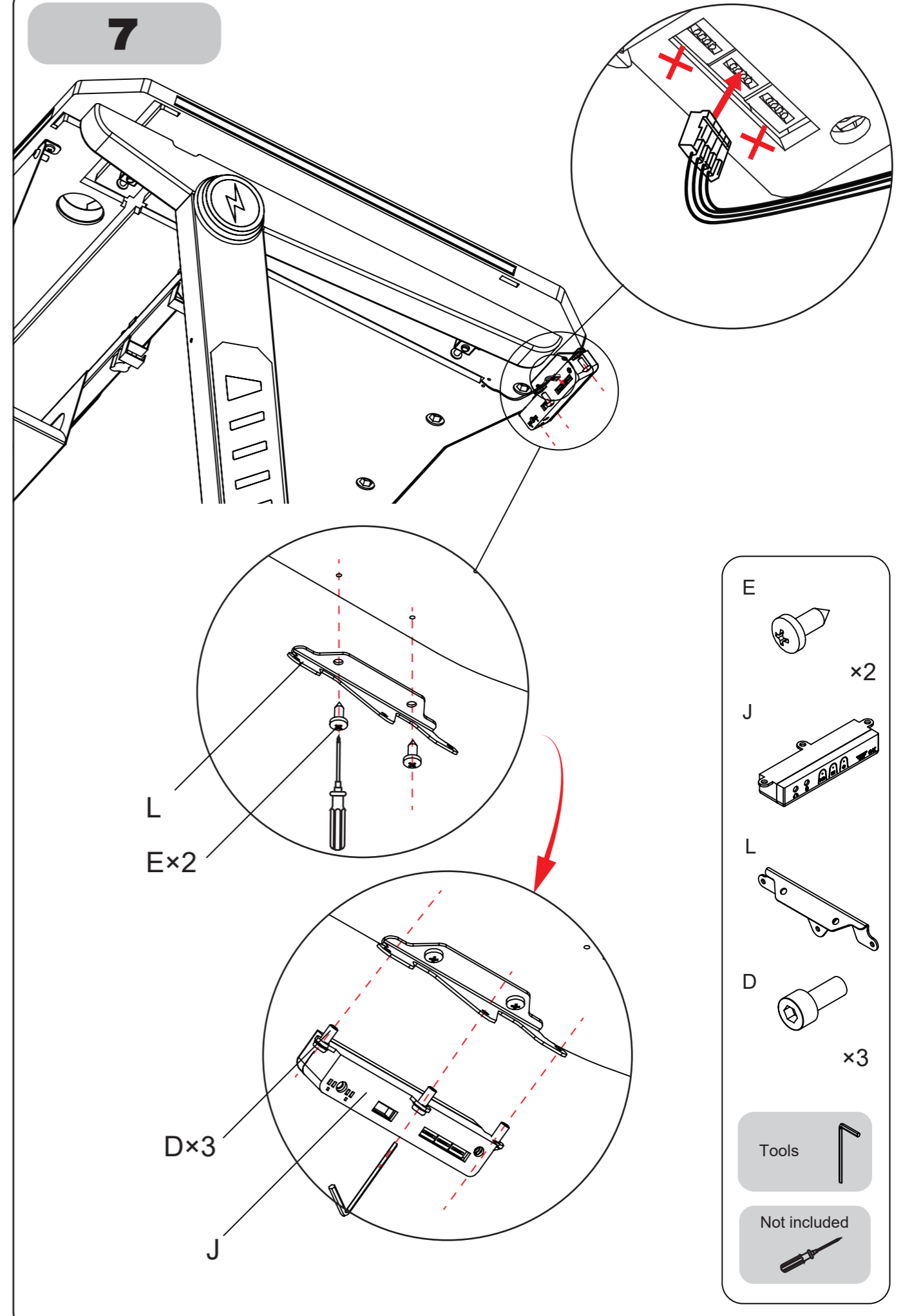
Firstly, gently press the pins to lock, the desktop can be installed

Secondly, tighten B (x2) to fix the cross bars and the tabletop

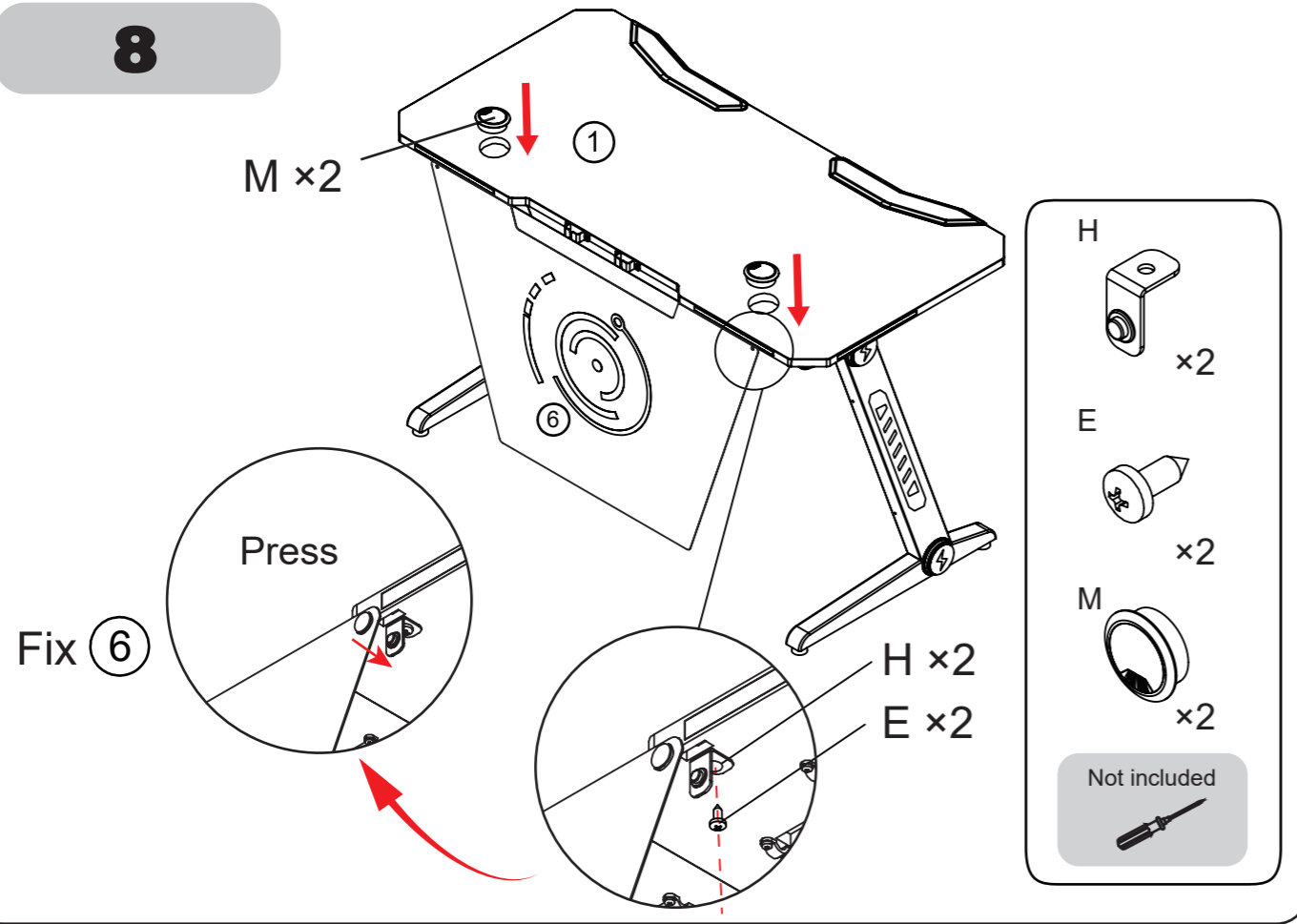
Connect wire interfaces



7

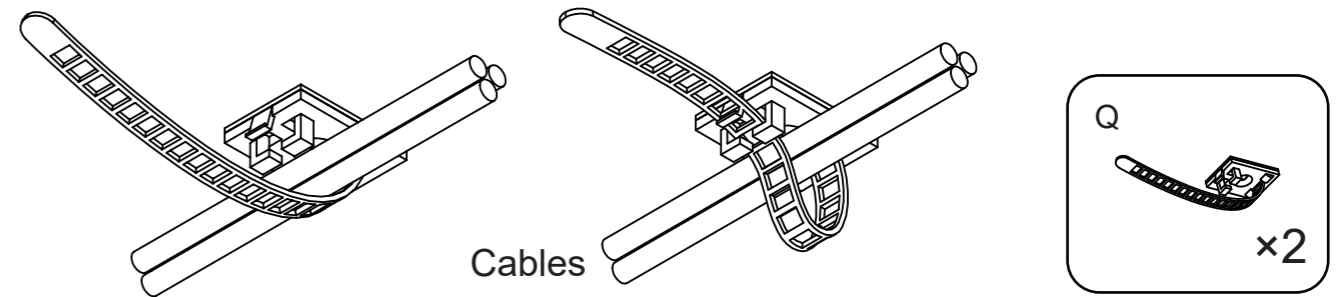


8

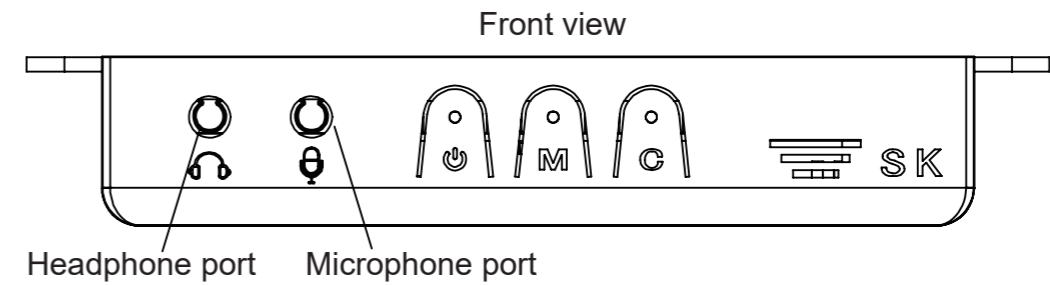


Tips

Uncover the back glue of Q and stick it under the desktop, Q can be used to arrange cables



Manual controller instruction



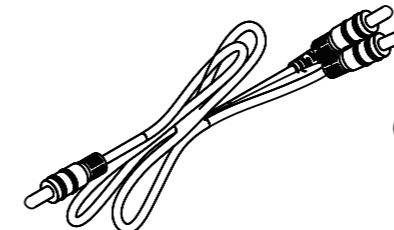
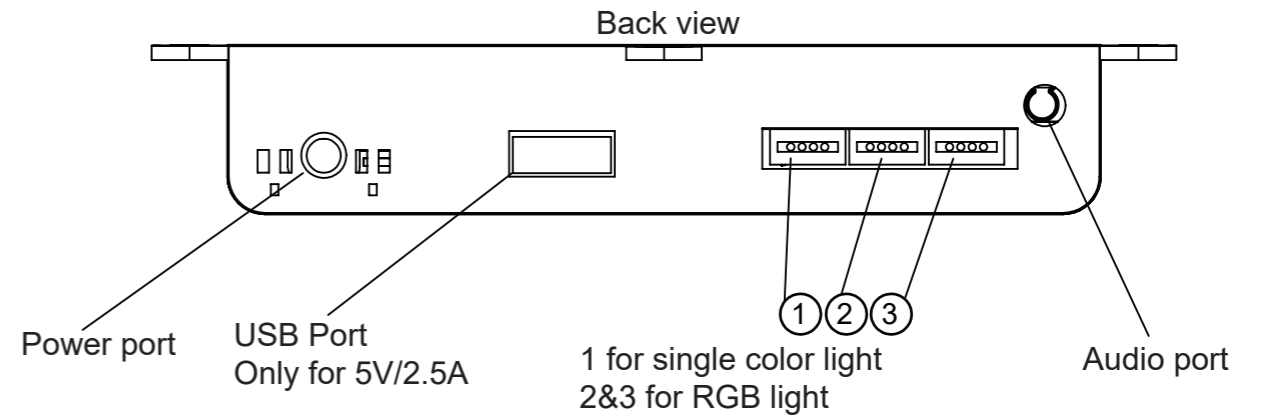
Power button: Press for 3 seconds to turn on the light;
Press for 3 seconds to turn off the light.

M(Mode button): 3 modes: 1) Single color mode
2) RGB color mode
3) Music mode

Press the button for cycle mode switching.

C(Color button): Press to change the color with 8 options;
Long press to adjust the brightness of light.

Music mode: The light would flash with the sound of music.
Better to adjust the volume of the computer to 30-60 for the best experience.



Connection cable: Green for headphone port of computer;
Red for microphone port of computer

9

