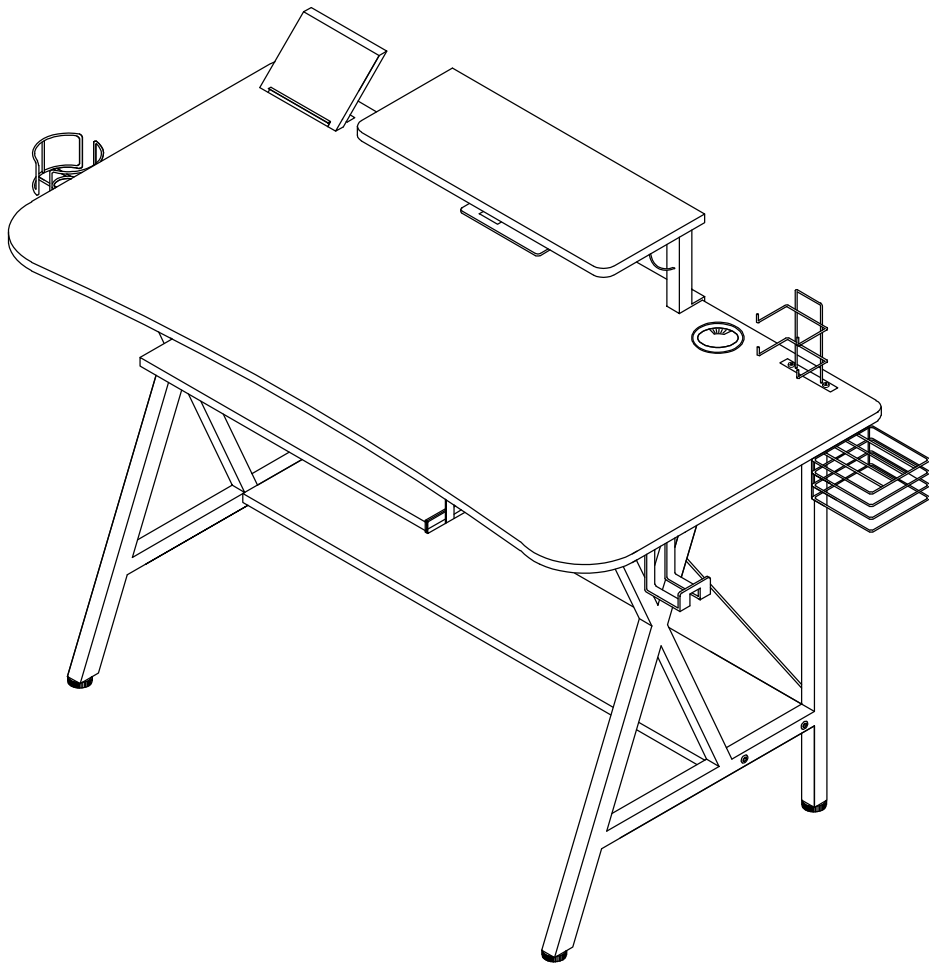
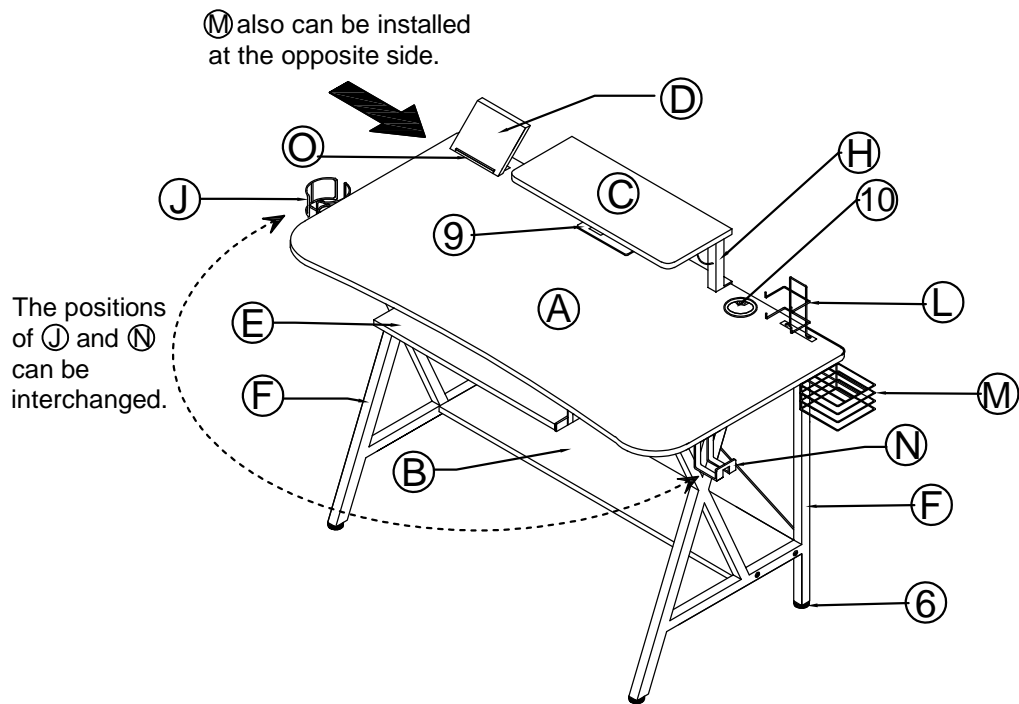



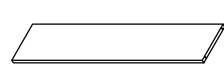
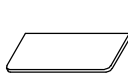
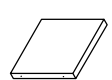
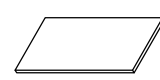
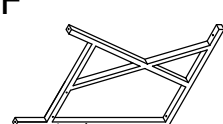

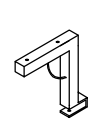

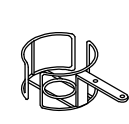
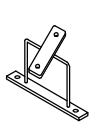
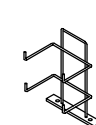
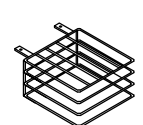
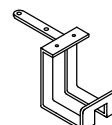
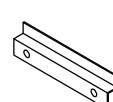
GAMING DESK

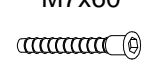

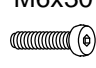


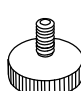


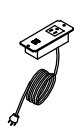

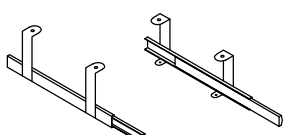
ASSEMBLY INSTRUCTION



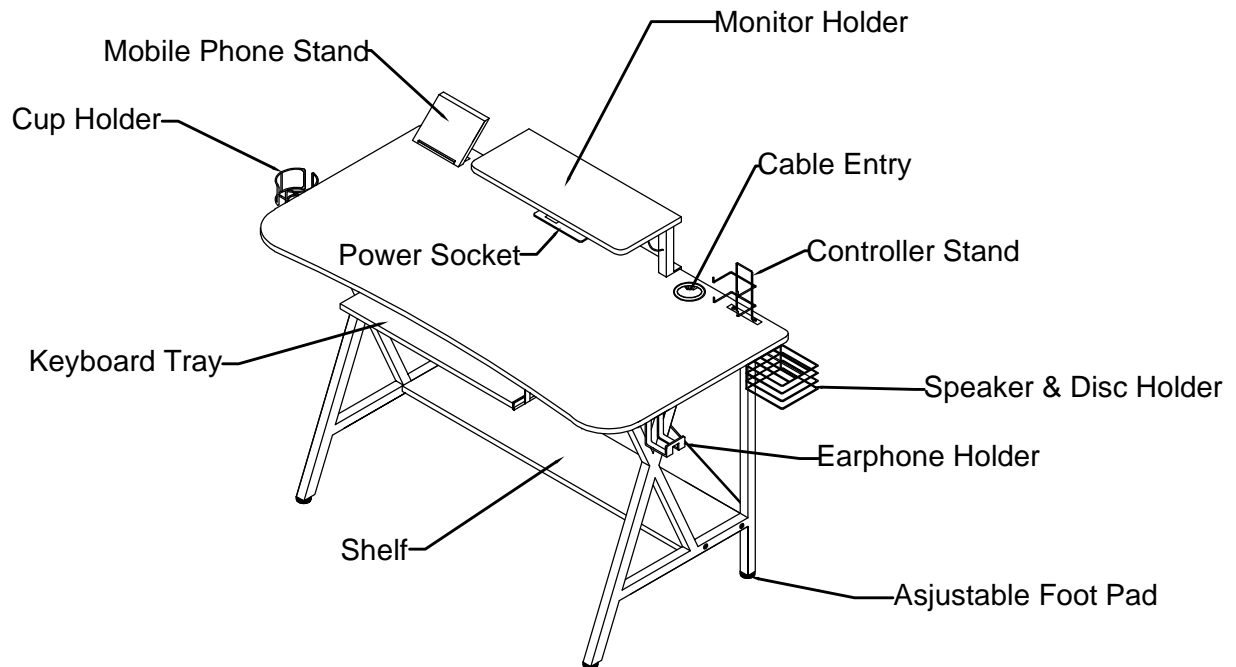
PARTS LIST



<p>A</p>  <p>x1PC</p>	<p>B</p>  <p>x1PC</p>	<p>C</p>  <p>x1PC</p>	<p>D</p>  <p>x1PC</p>	<p>E</p>  <p>x1PC</p>
<p>F</p>  <p>x2PCS</p>	<p>G</p>  <p>x2PCS</p>	<p>H</p>  <p>x2PCS</p>	<p>I</p>  <p>x2PCS</p>	<p>J</p>  <p>x1PC</p>
<p>K</p>  <p>x1PC</p>	<p>L</p>  <p>x1PC</p>	<p>M</p>  <p>x1PC</p>	<p>N</p>  <p>x1PC</p>	<p>O</p>  <p>x1PC</p>

<p>1</p> <p>M7x60</p>  <p>x4PCS</p>	<p>2</p> <p>M6x32</p>  <p>x4PCS</p>	<p>3</p> <p>M6x30</p>  <p>x2PCS</p>	<p>4</p> <p>M6x25</p>  <p>x4PCS</p>	<p>5</p> <p>M6x12</p>  <p>x 24+1 PCS</p>	<p>6</p>  <p>x4PCS</p>
<p>7</p> <p>M4x12</p>  <p>x8PCS</p>	<p>8</p>  <p>x1PC</p>	<p>9</p>  <p>x1PC</p>	<p>10</p>  <p>x1PC</p>	<p>11</p>  <p>x1SET</p>	

FUNCTIONS DESCRIPTION & CAUTION



CAUTION:

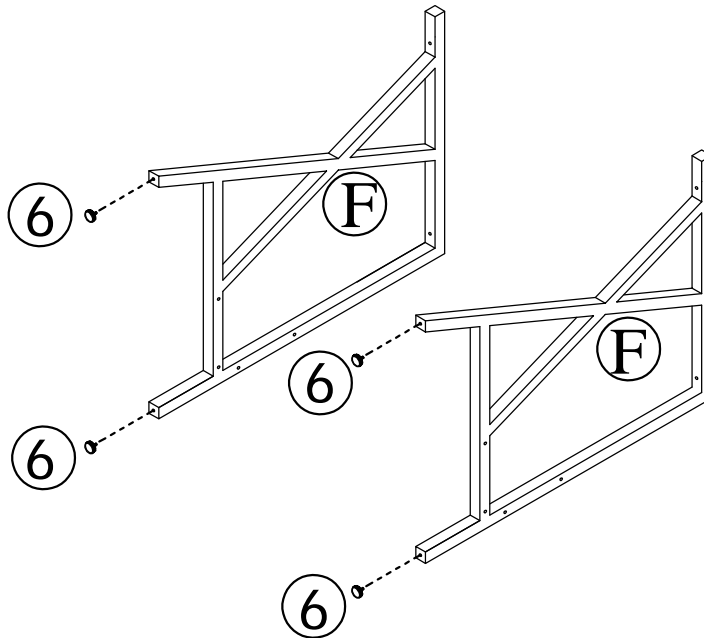
- * Check wether the parts are complete before installation.
- * Since your desk is a heavy piece of equipment, two people are recommended to assemble it.
- * Read entire assembly instruction before you start to install. Then sequentially assemble.
- * Do not tighten the screws untill you finish all assembly steps.
- * Keep the small parts away from children, to avoid danger of swallowing.

ASSEMBLY

Note: Do not tighten the screws until you finish all assemble steps.

Step 1:

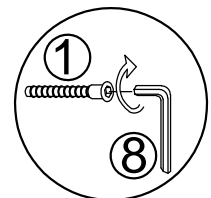
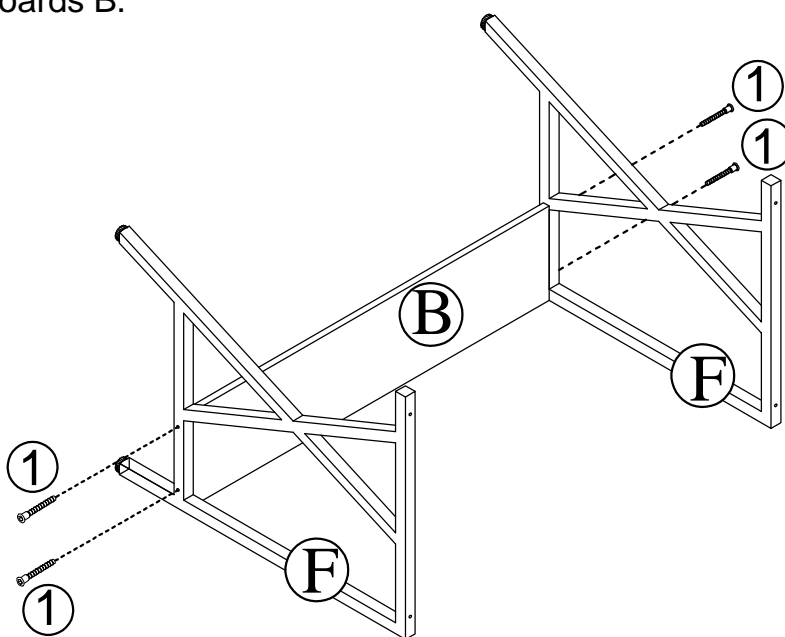
Install the legs F with the foot pads(6).

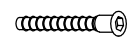


⑥x4PCS

Step 2:

Install the boards B.




M7x60

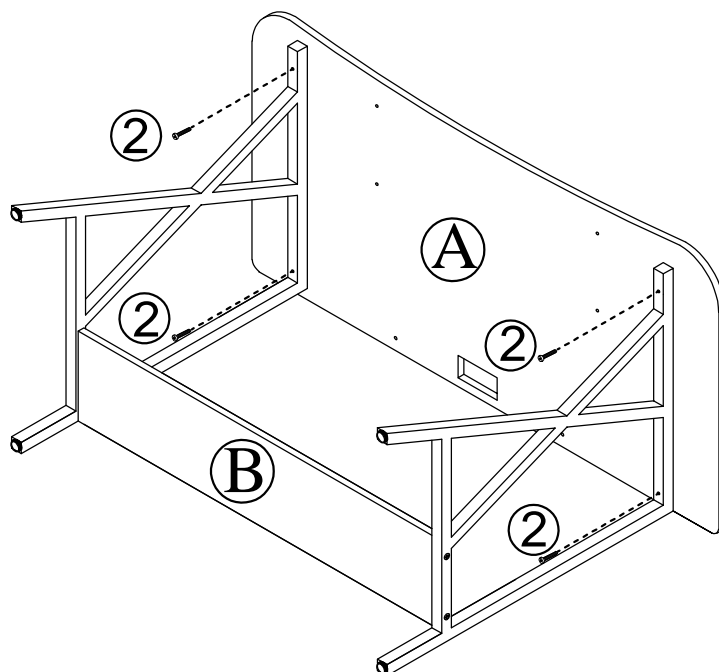
①x4PCS

ASSEMBLY

Note: Do not tighten the screws until you finish all assemble steps.

Step 3:

Screw the board A onto the legs F.

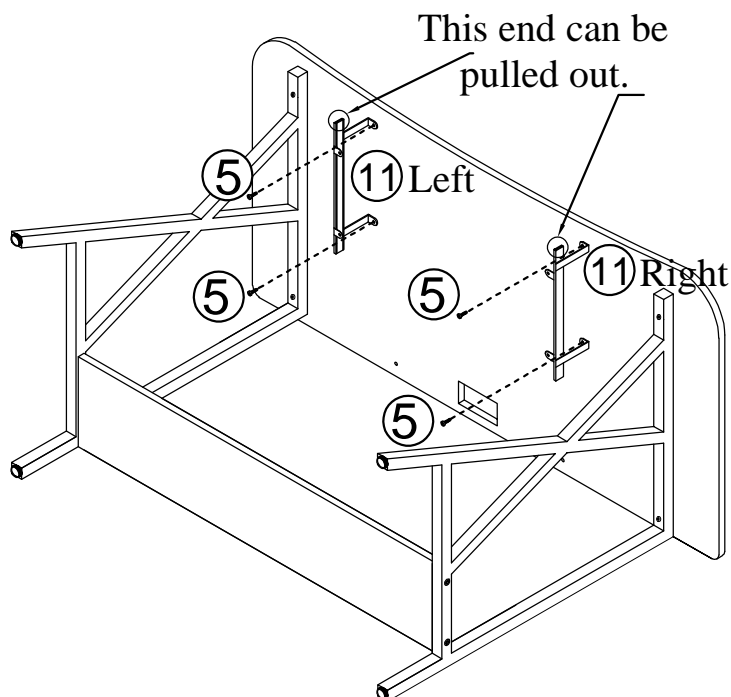



M6x32

②x4PCS

Step 4:

Distinguish the two sliding rails(11), the retractable ends face out. Then install to the backside of A.



⑪x1SET


M6x12

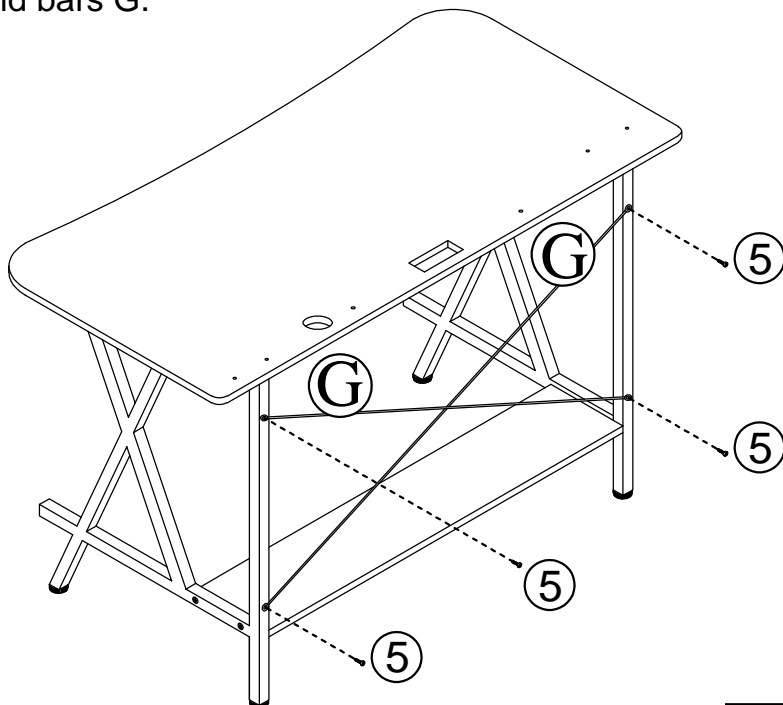
⑤x4PCS

ASSEMBLY

Note: Do not tighten the screws until you finish all assemble steps.

Step 5:

Install the round bars G.

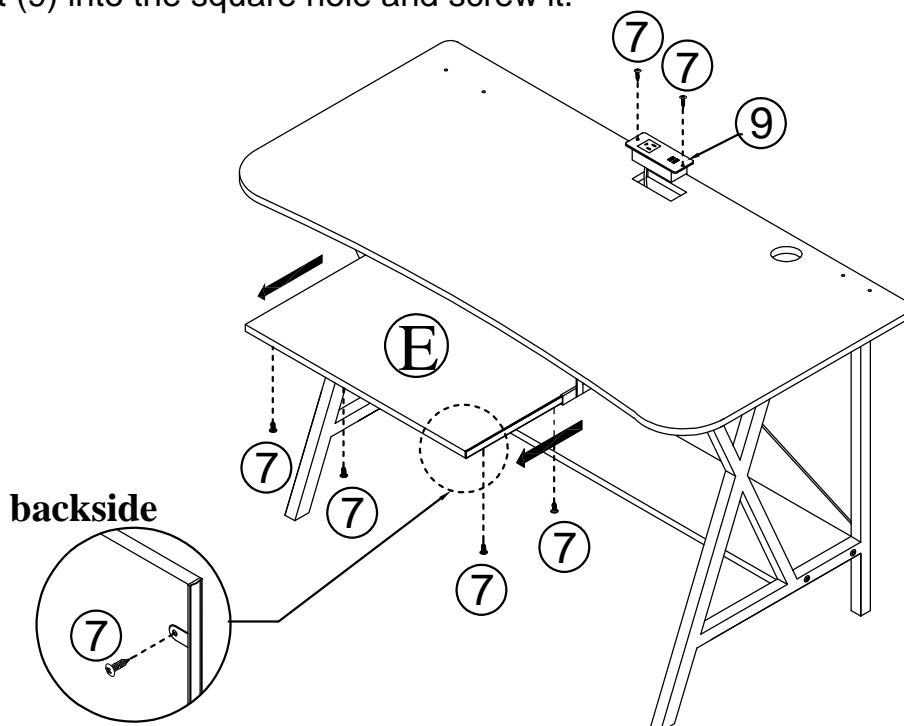



M6x12

⑤x4PCS

Step 6:

Pull out the inner rail, then install the board E.
Insert (9) into the square hole and screw it.



⑨x1PC


M4x12

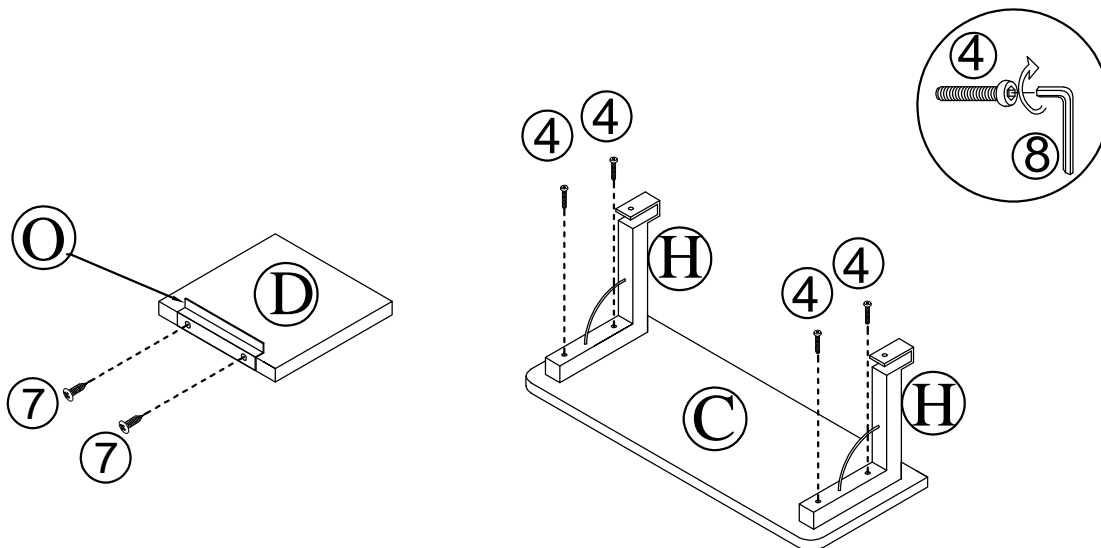
⑦x6PCS



ASSEMBLY

Note: Do not tighten the screws until you finish all assemble steps.

Step 7:

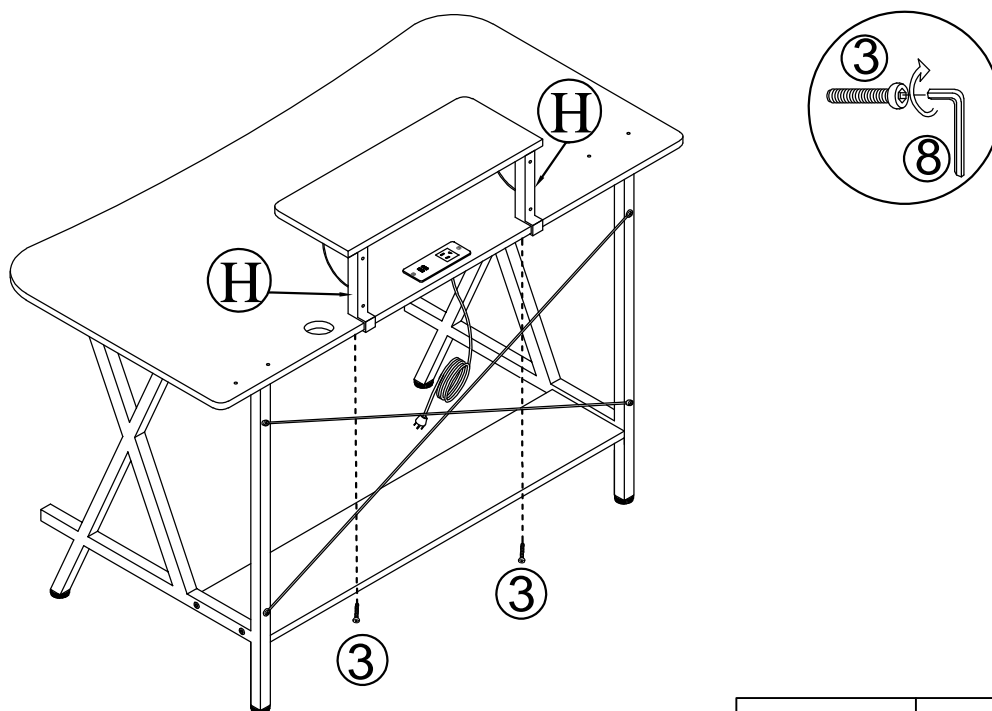
Screw O and D together. Install C and H together.




 M4x12	⑦x2PCS
 M6x25	④x4PCS

Step 8:

Install H on the board A.



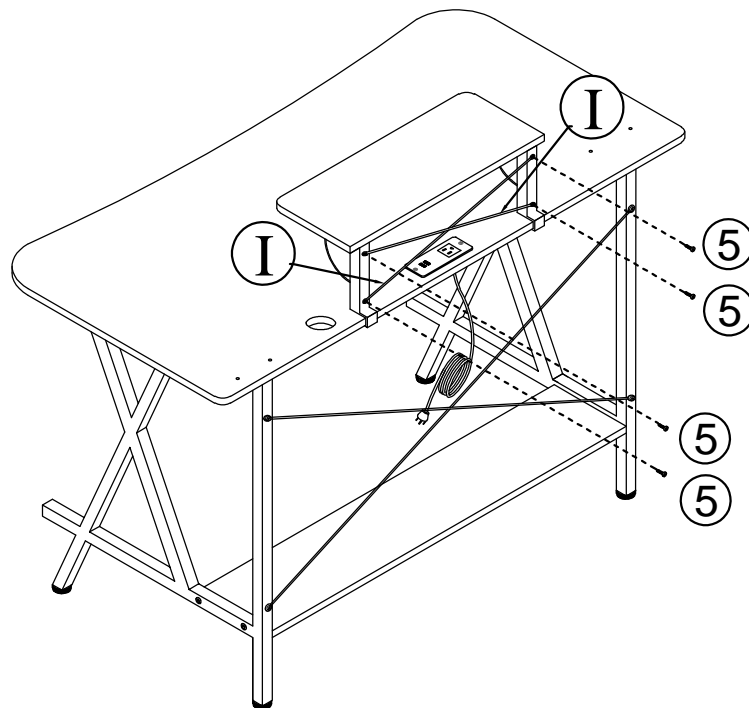
 M6x30	③x2PCS
---	--------

ASSEMBLY

Note: Do not tighten the screws until you finish all assemble steps.

Step 9:

Install the round bars I.

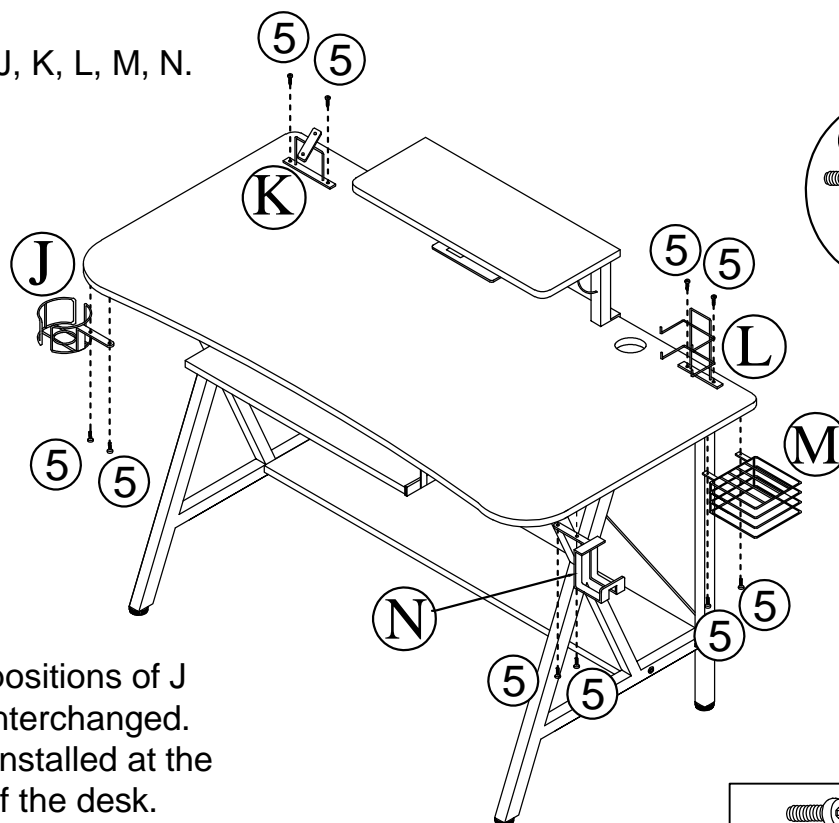


M6x12

5x4PCS

Step 10:

Install the parts J, K, L, M, N.



If needed, the positions of J and N can be interchanged.
And M can be installed at the opposite side of the desk.

M6x12

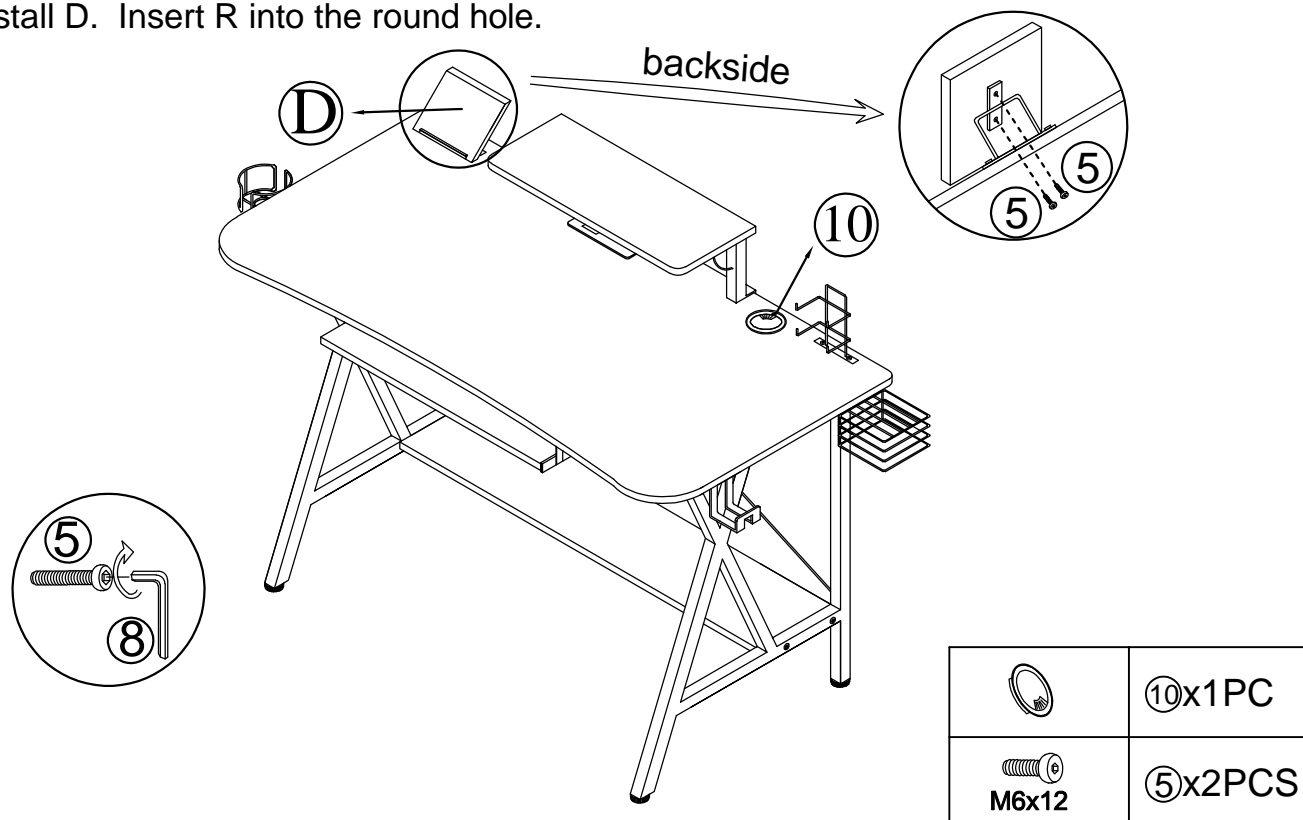
5x10PCS

ASSEMBLY

Note: Do not tighten the screws until you finish all assemble steps.

Step 11:

Install D. Insert R into the round hole.



Step 12:

Tighten all the screws. If needed, adjust the foot pads(6) to make the desk stable.

