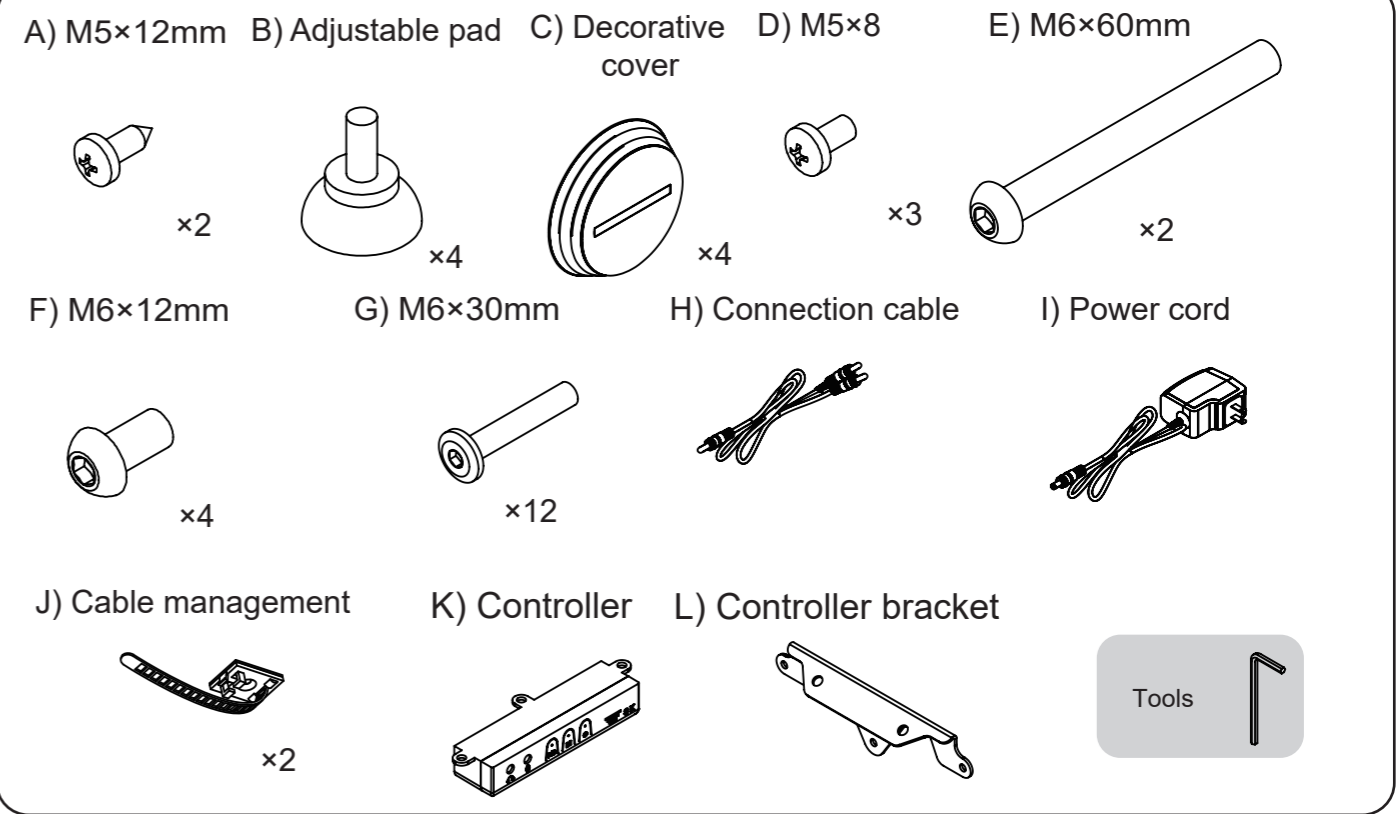
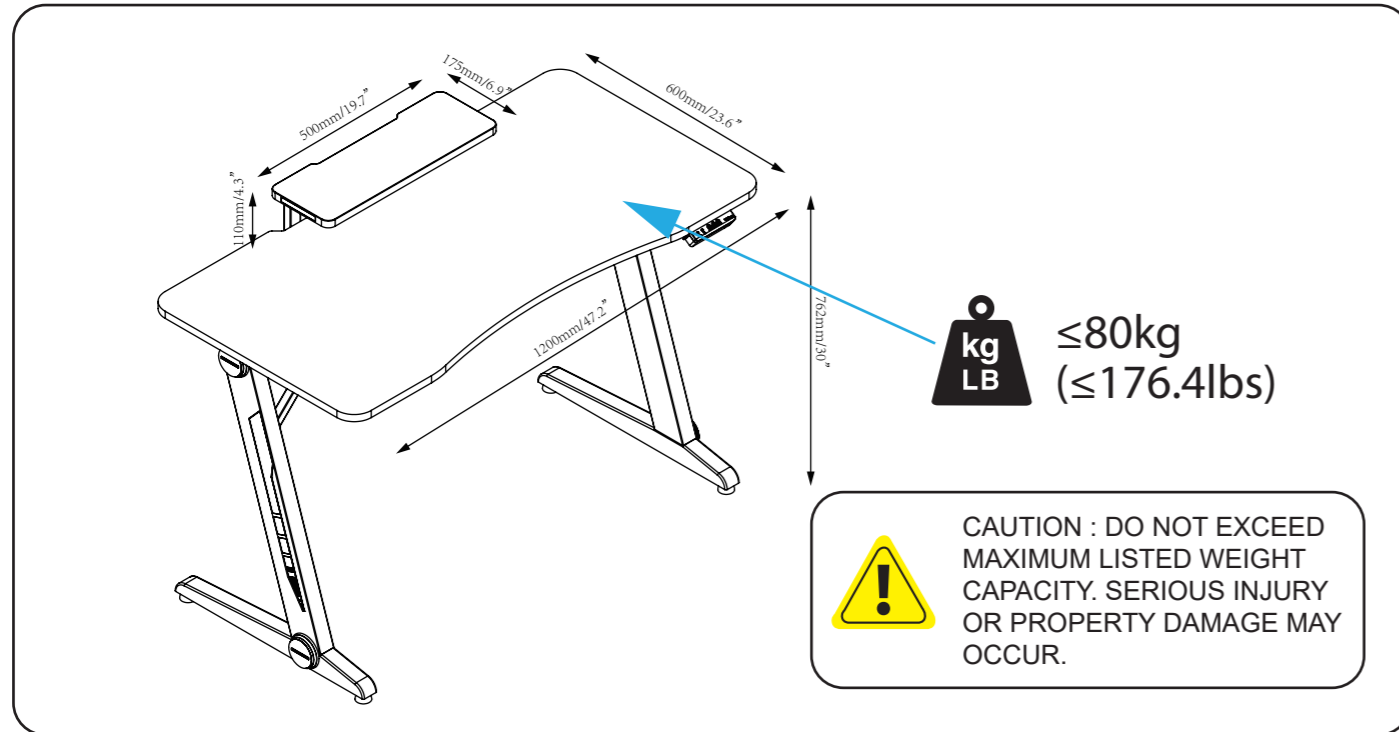
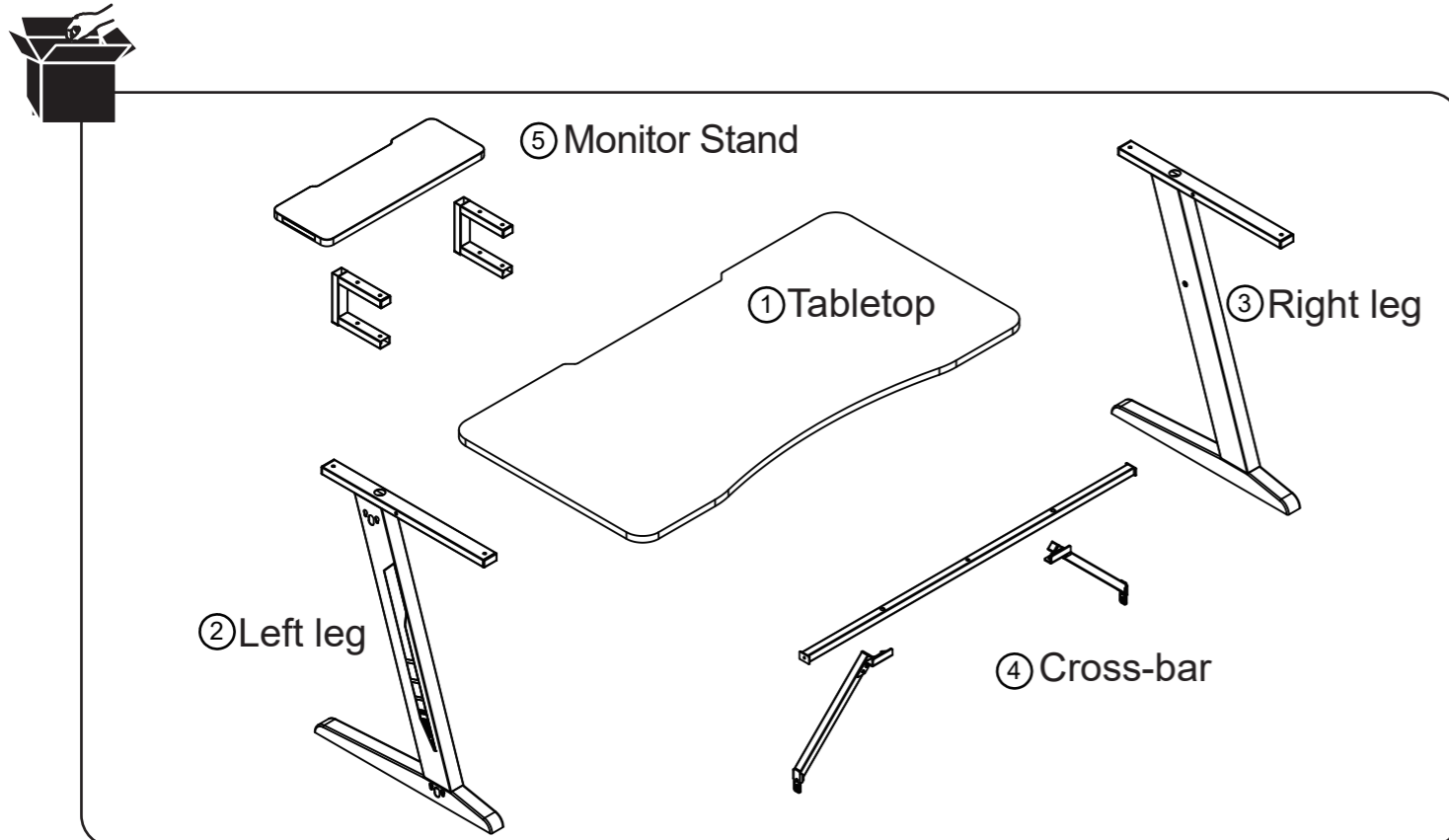


JK-GD21-RK Gaming desk

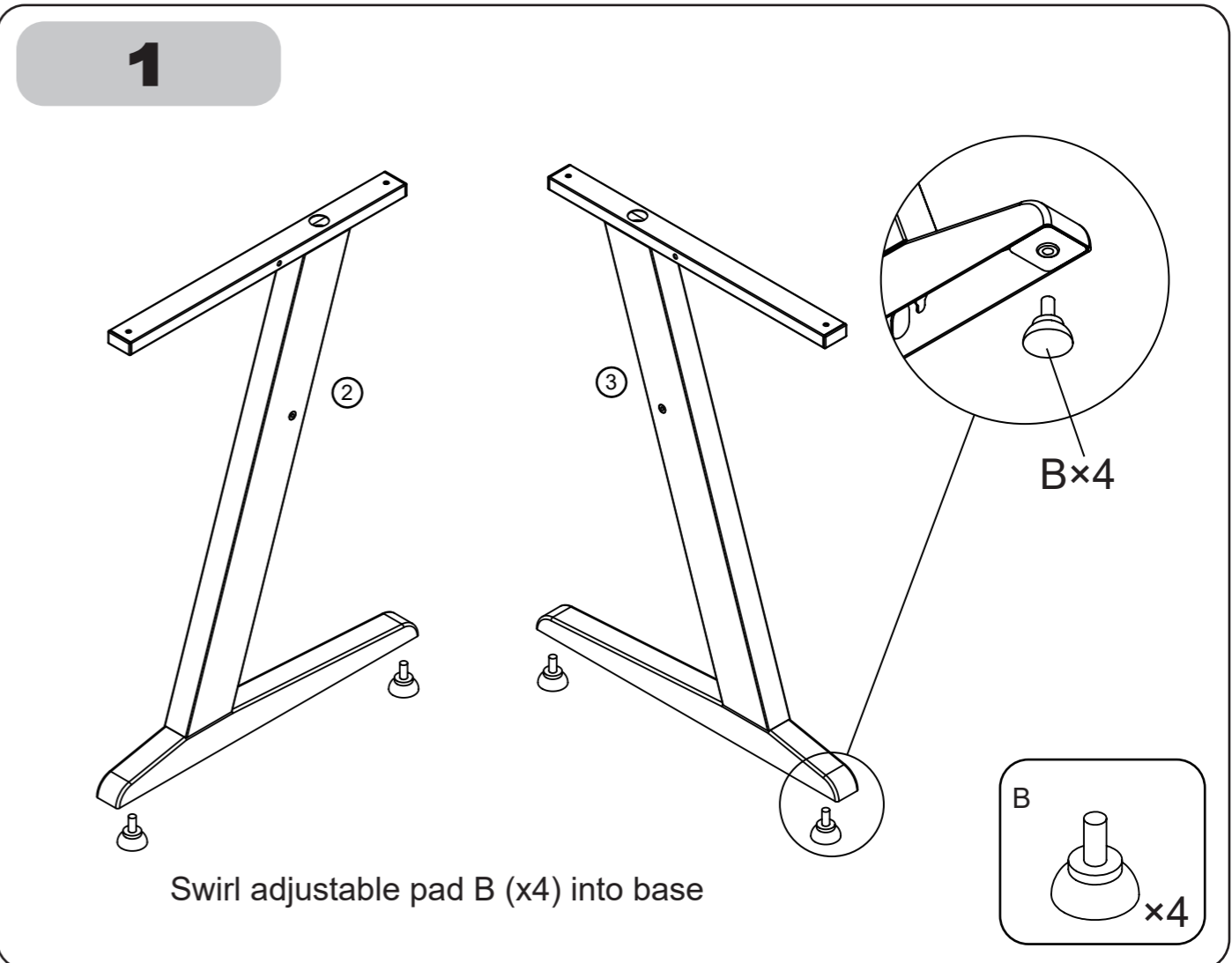
MOUNTING INSTRUCTIONS



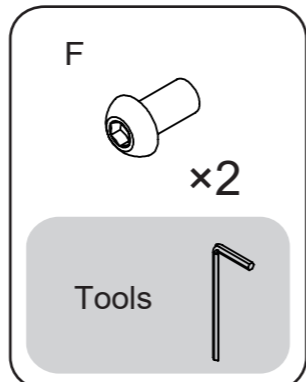
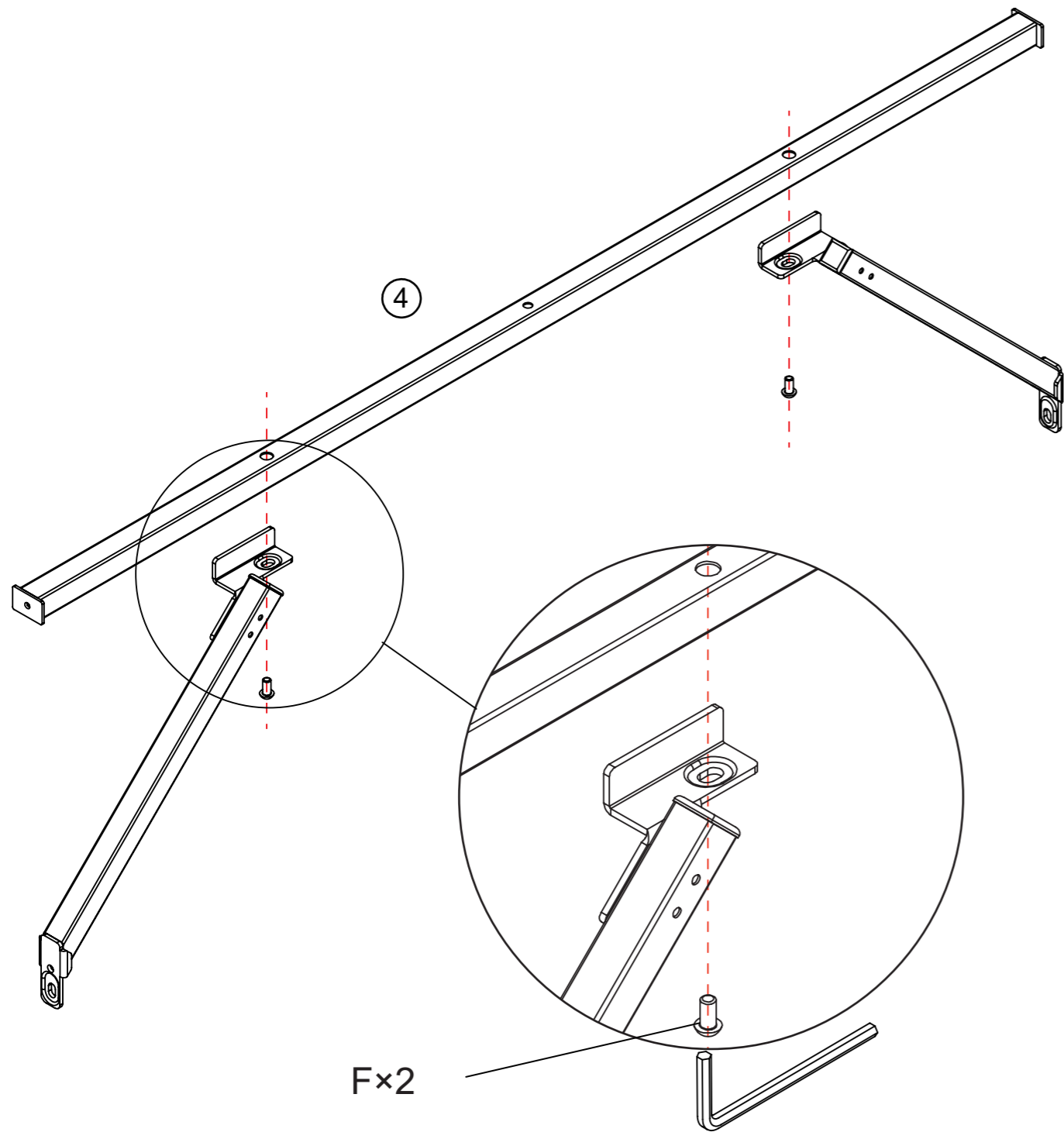
PARTS LIST



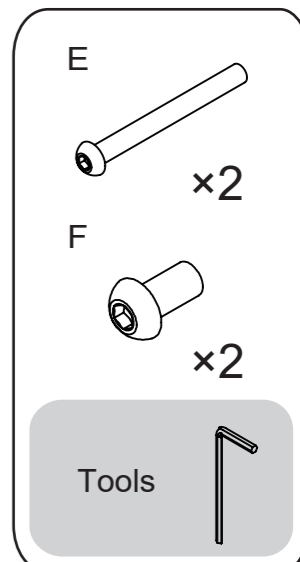
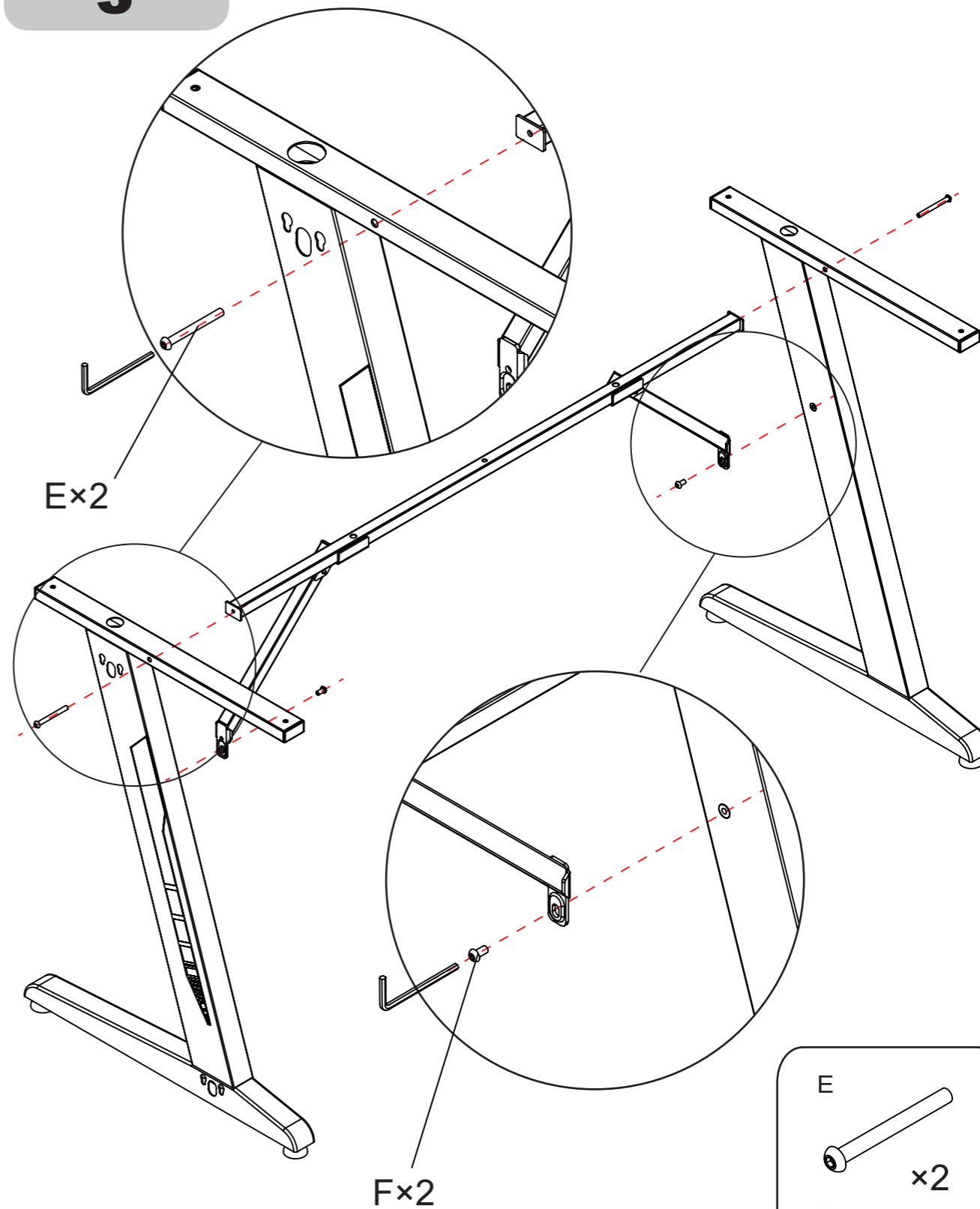
INSTALLATION STEPS



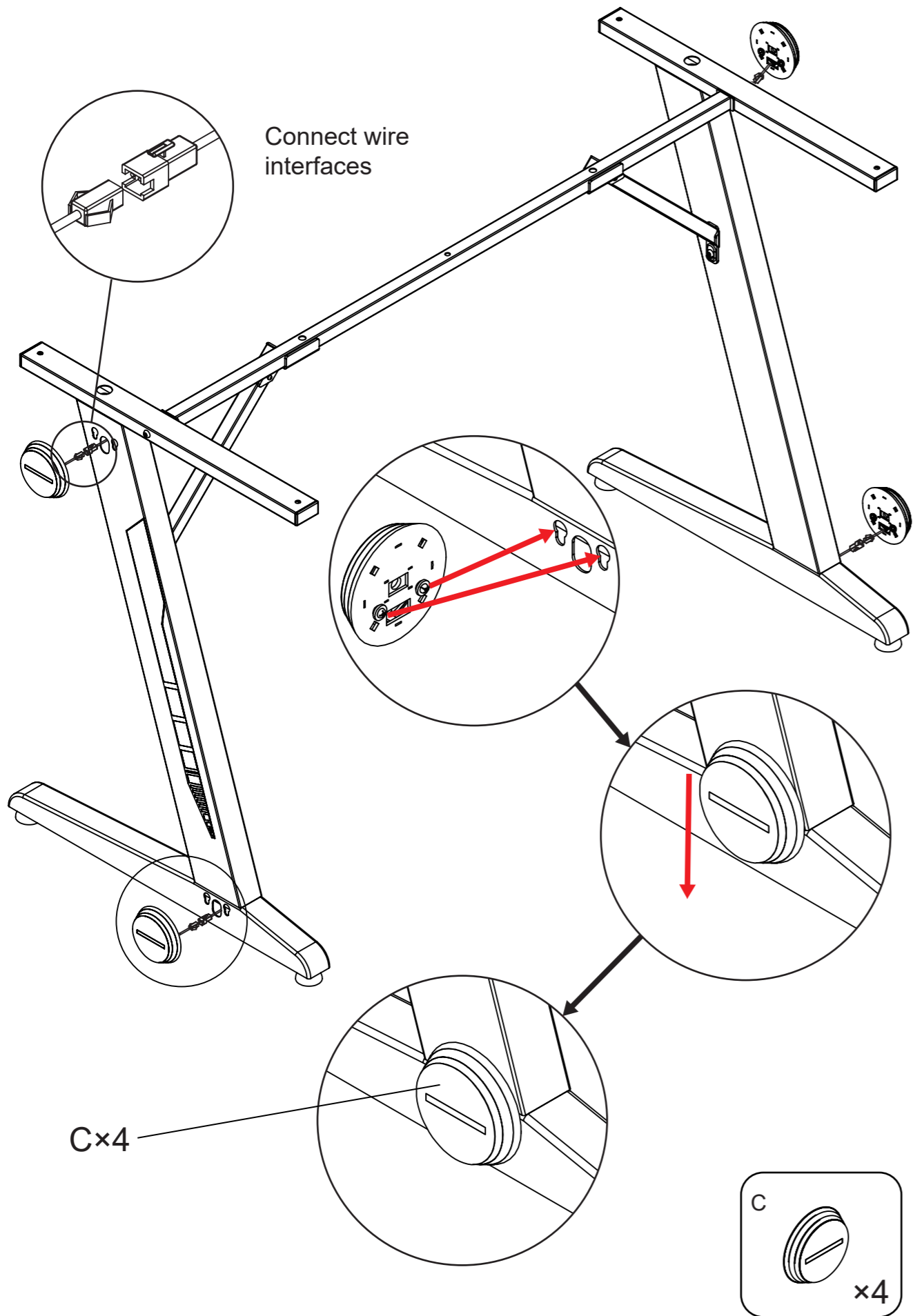
2



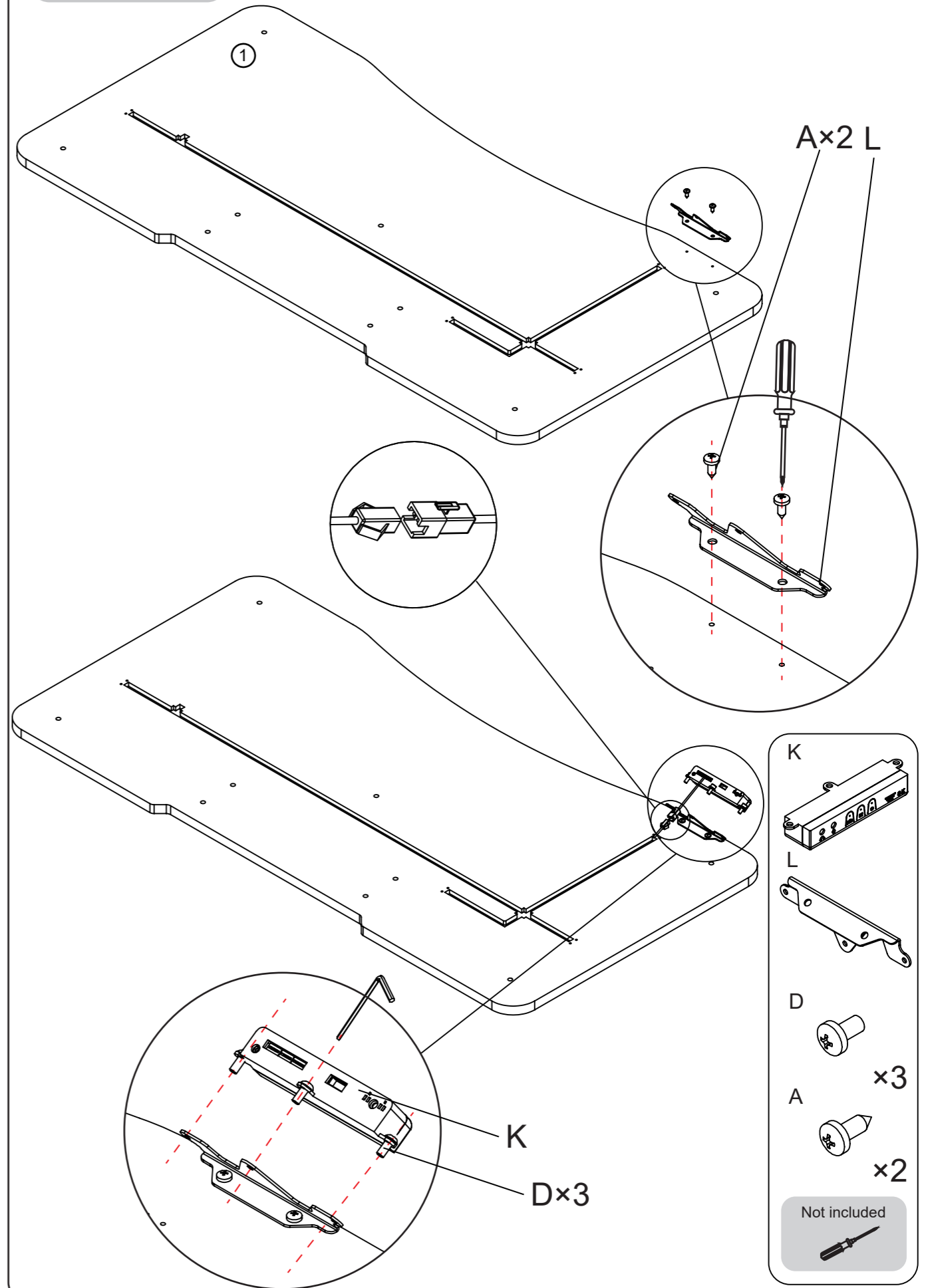
3



4

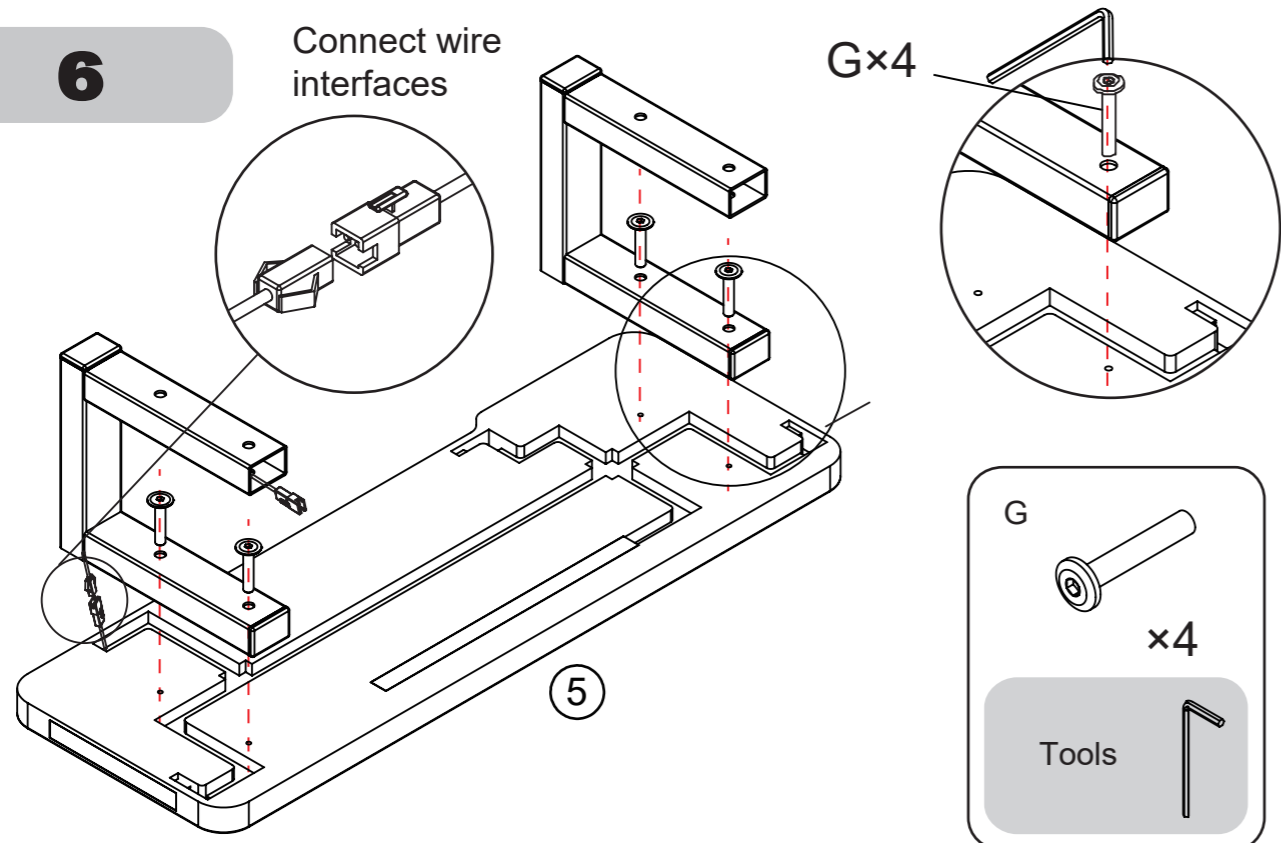


5

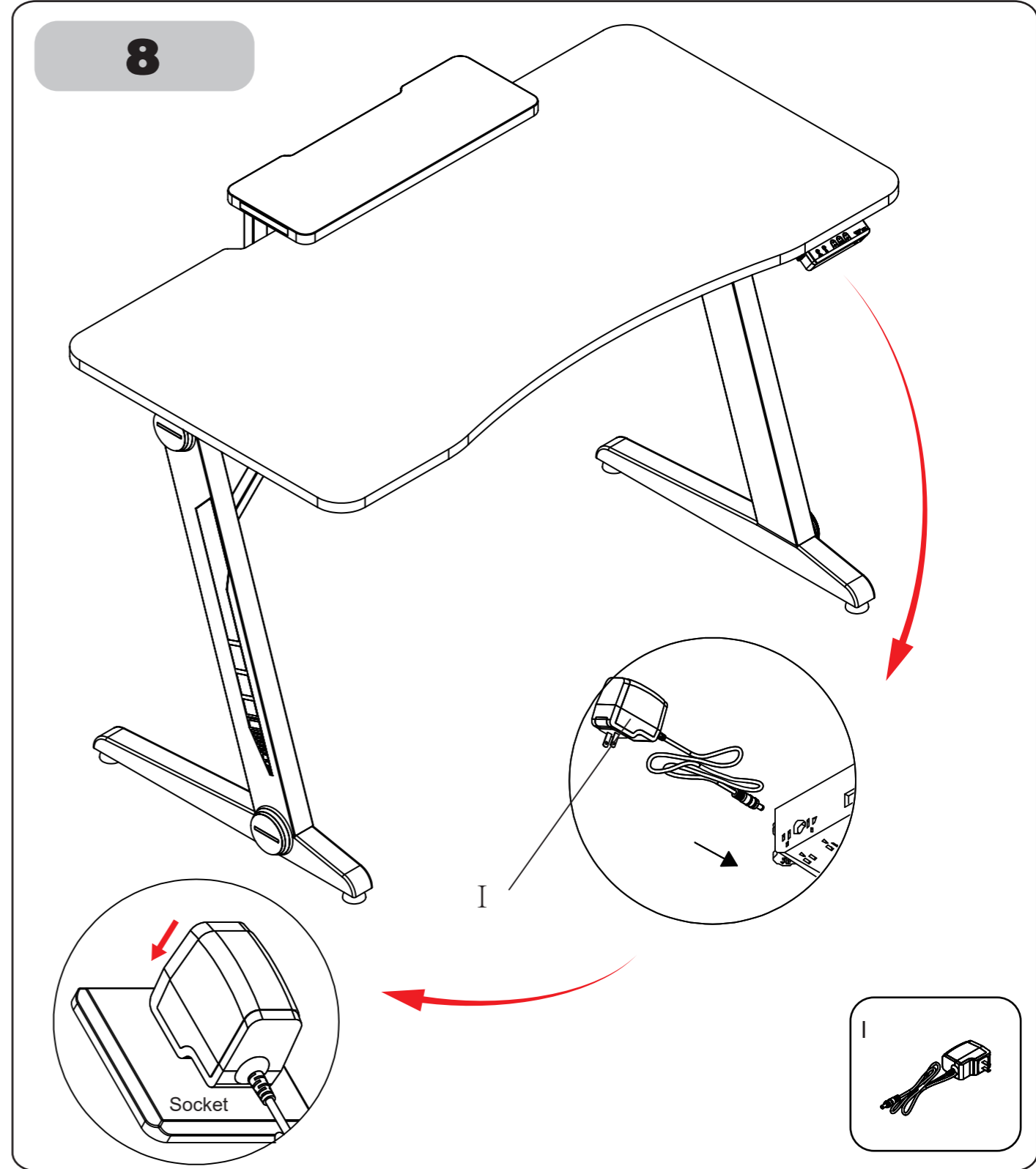


6

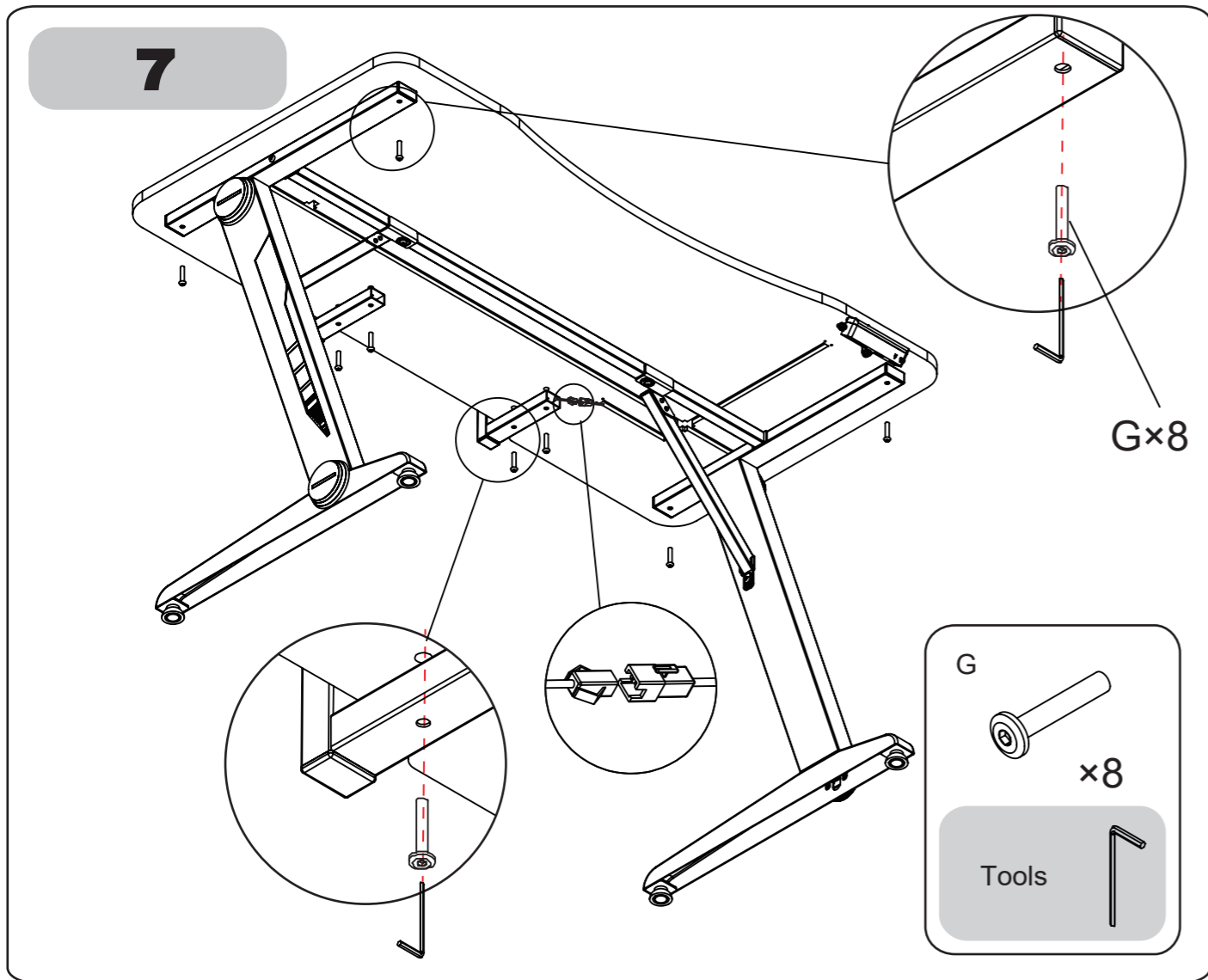
Connect wire interfaces



8

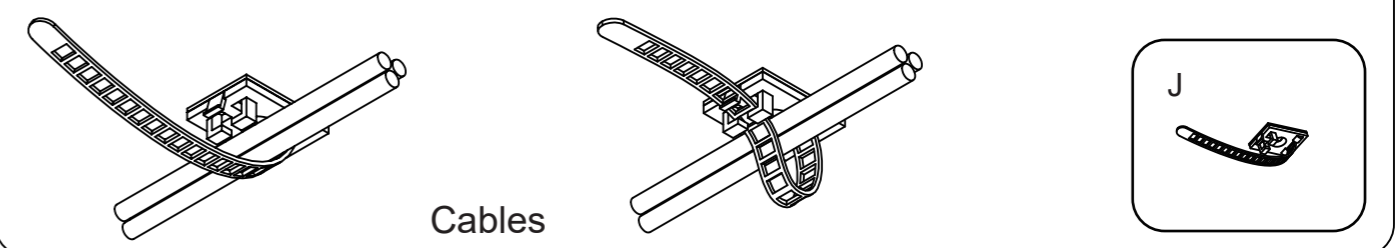


7



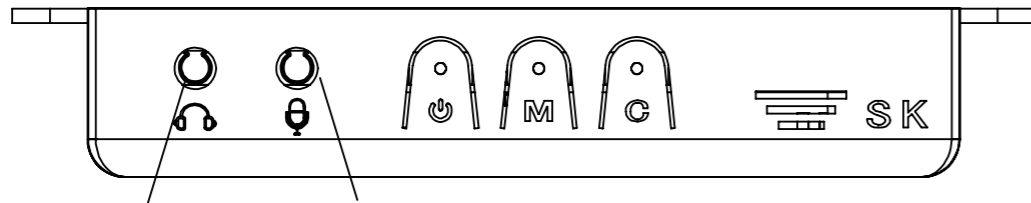
Tips

Uncover the back glue of J and stick it under the desktop, J can be used to arrange cables



Manual controller instruction

Front view



Headphone port Microphone port

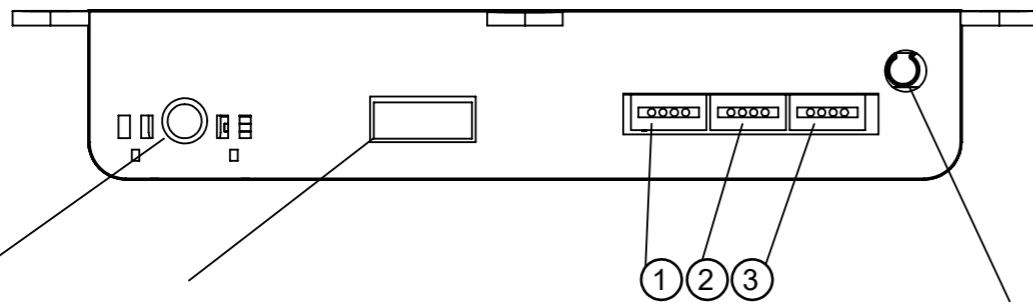
Power button: Press for 3 seconds to turn on the light;
Press for 3 seconds to turn off the light.

M(Mode button): 3 modes:1)Single color mode
2)RGB color mode
3)Music mode
Press the button for cycle mode switching.

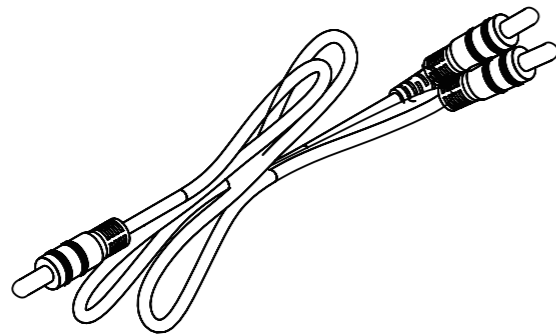
C(Color button): Press to change the color with 8 options;
Long press to adjust the brightness of light.

Music mode: The light would flash with the sound of music.
Better to adjust the volume of the computer to
30-60 for the best experience.

Back view



Power port USB Port 1 for single color light Audio port
Only for 5V/2.5A Only for 5V/2.5A 2&3 for RGB light



Connection cable: Green for headphone port of computer;
Red for microphone port of computer