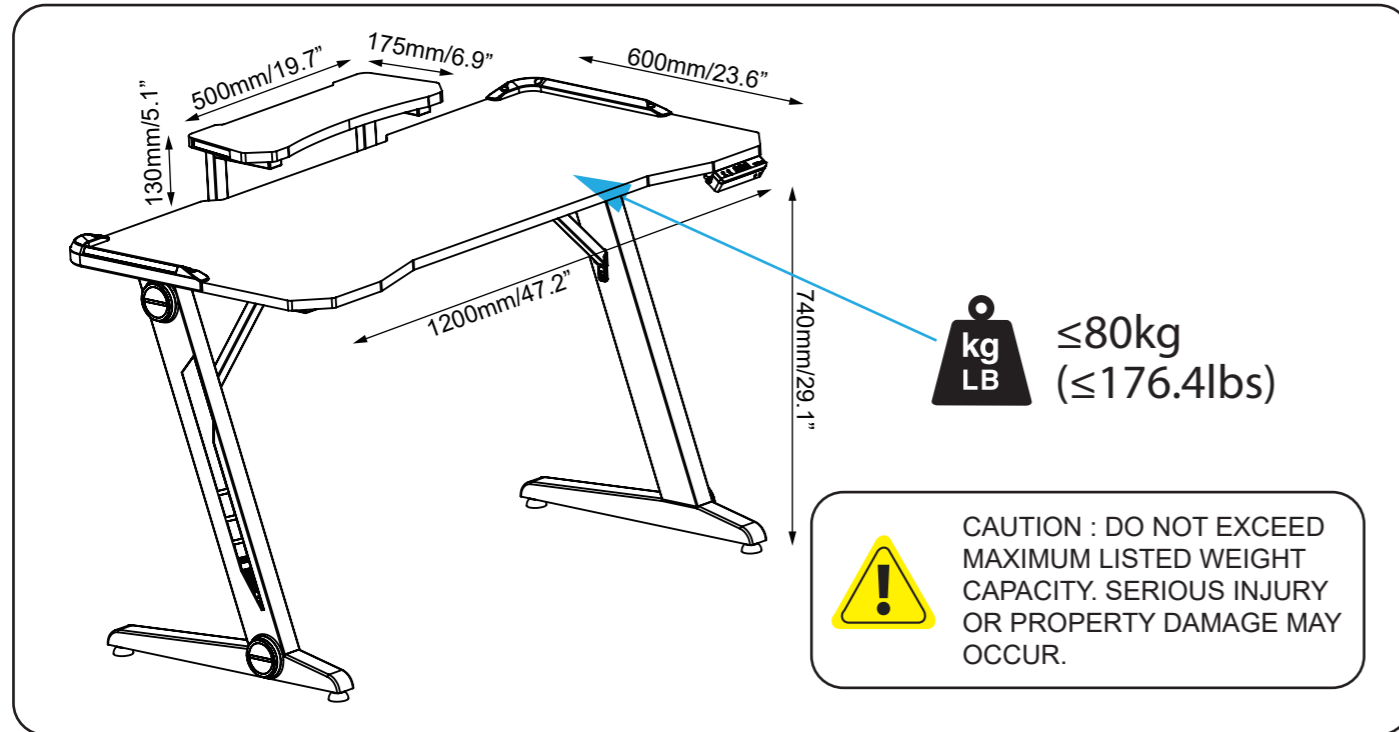
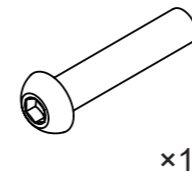


FS-XGD21-RK Gaming desk

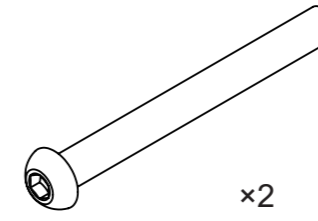
MOUNTING INSTRUCTIONS



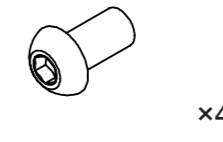
A) M6×30mm



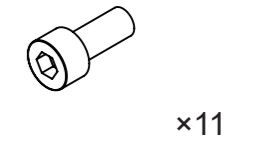
B) M6×60mm



C) M6×12mm



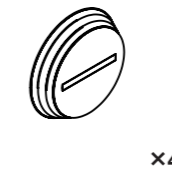
D) M5×12mm



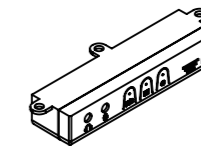
E) Cable management



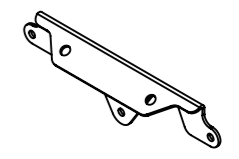
F) Decorative cover



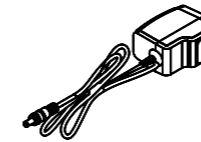
G) Controller



H) Controller bracket



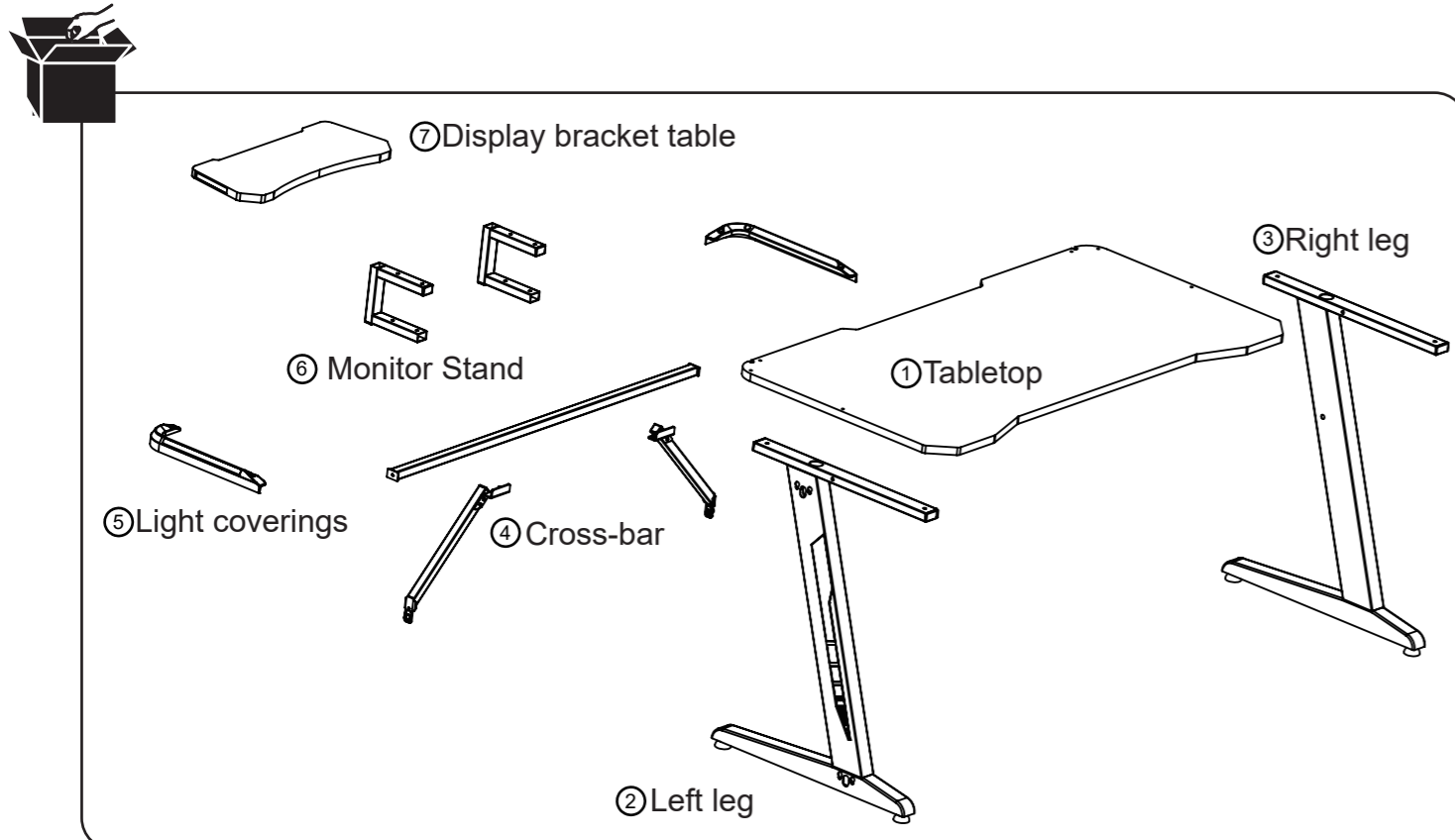
I) Power cord



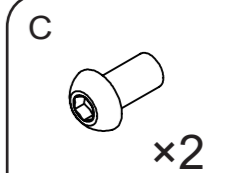
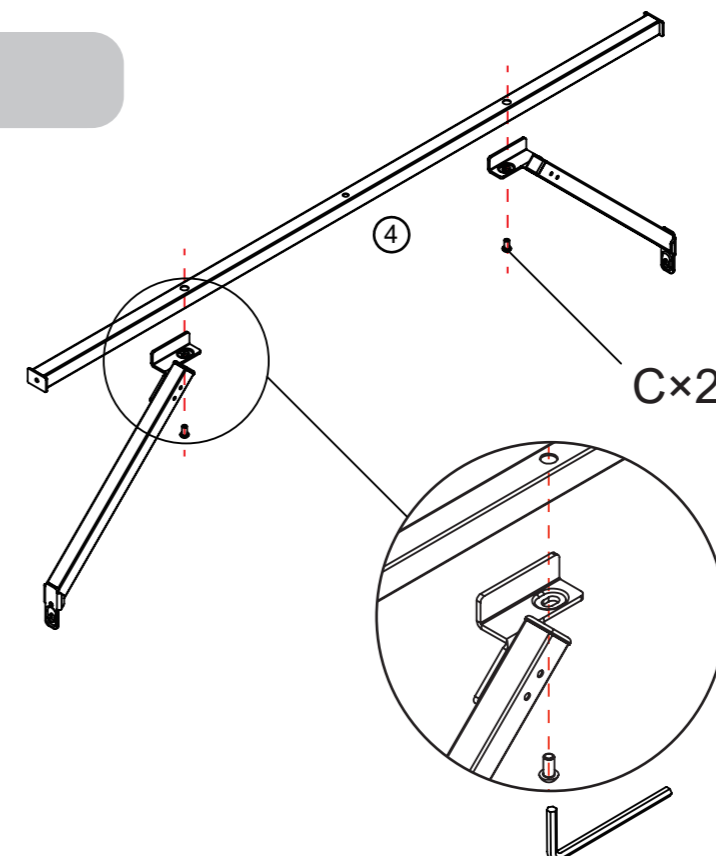
Tools



PARTS LIST



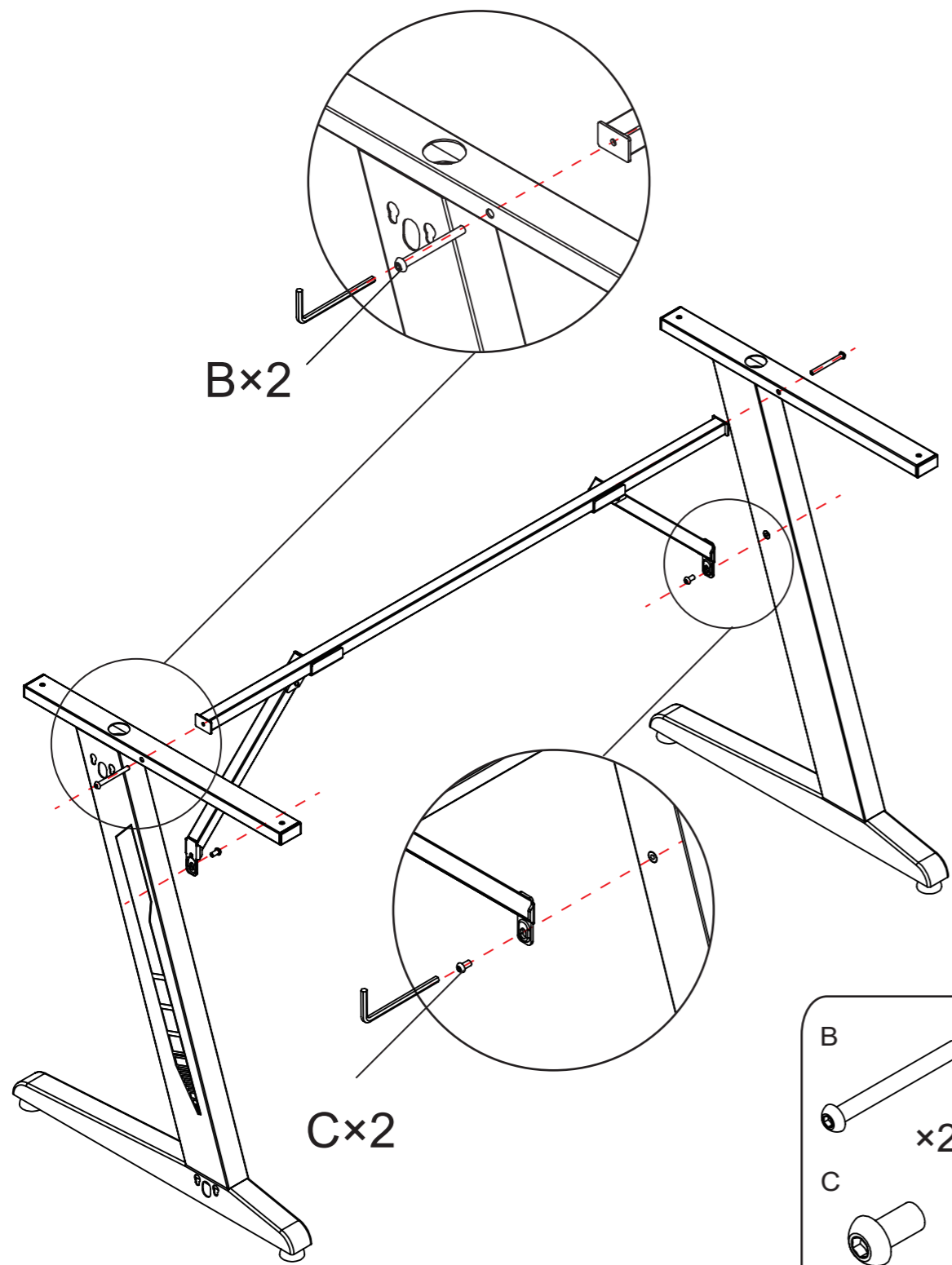
1



Tools

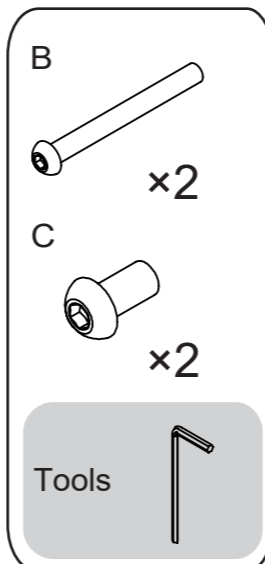


2



Bx2

Cx2



B

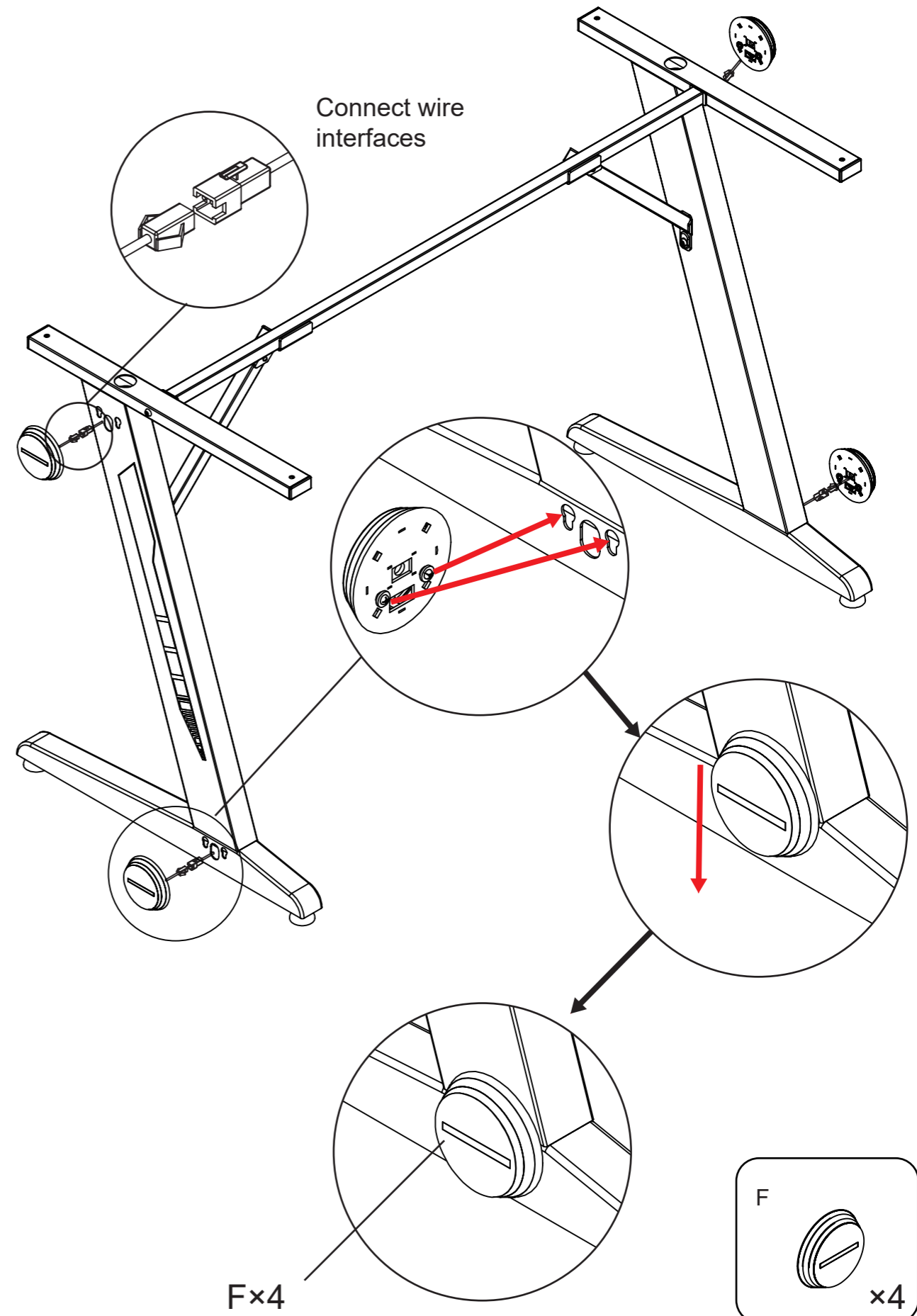
x2

C

x2

Tools

3



Connect wire interfaces

Fx4

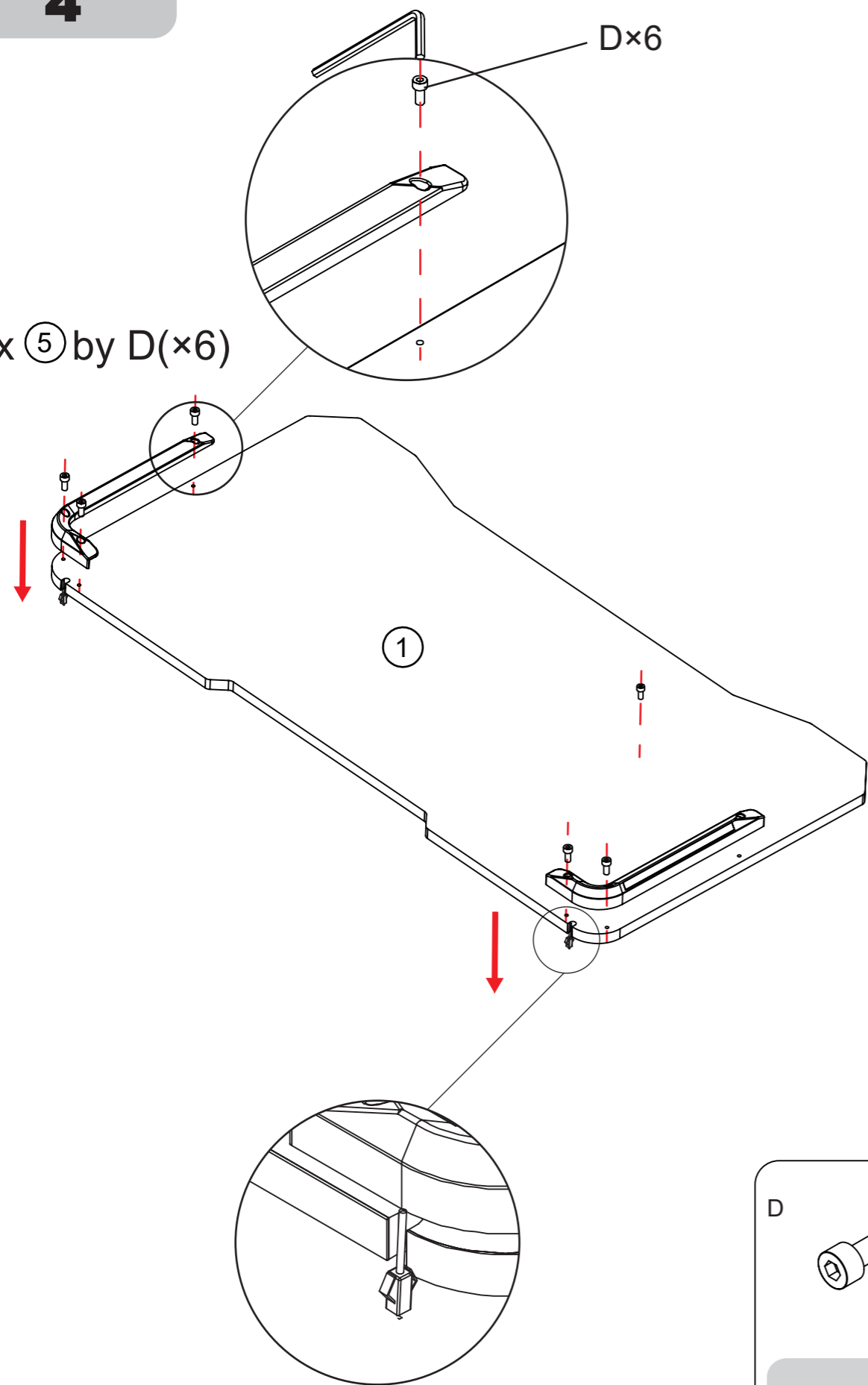
F

x4

4

D×6

Fix ⑤ by D(×6)



D



×6

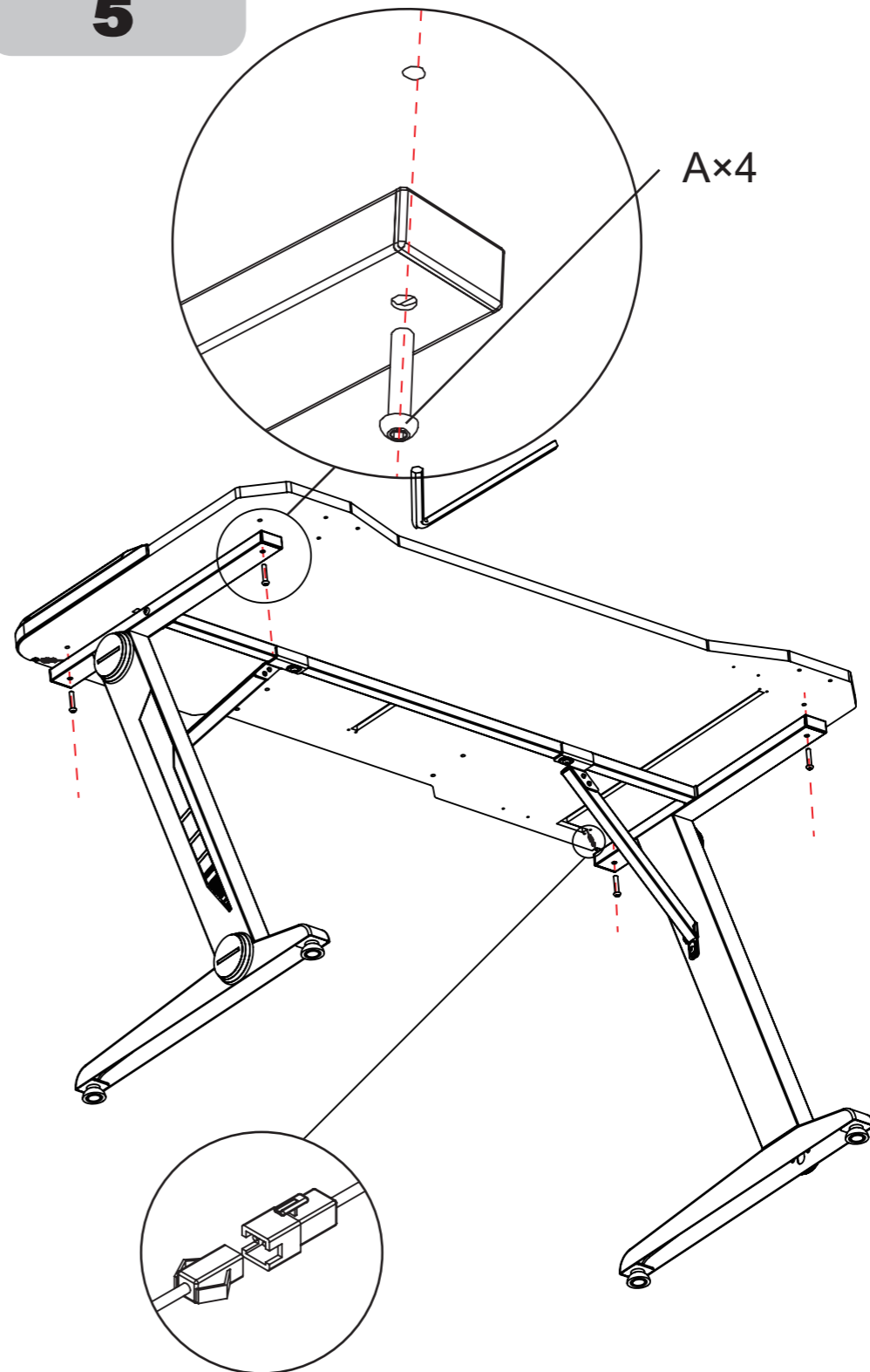
Tools



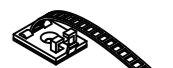
5

A×4

Arrange cables by E(×2)

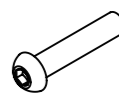


E



×2

A



×4

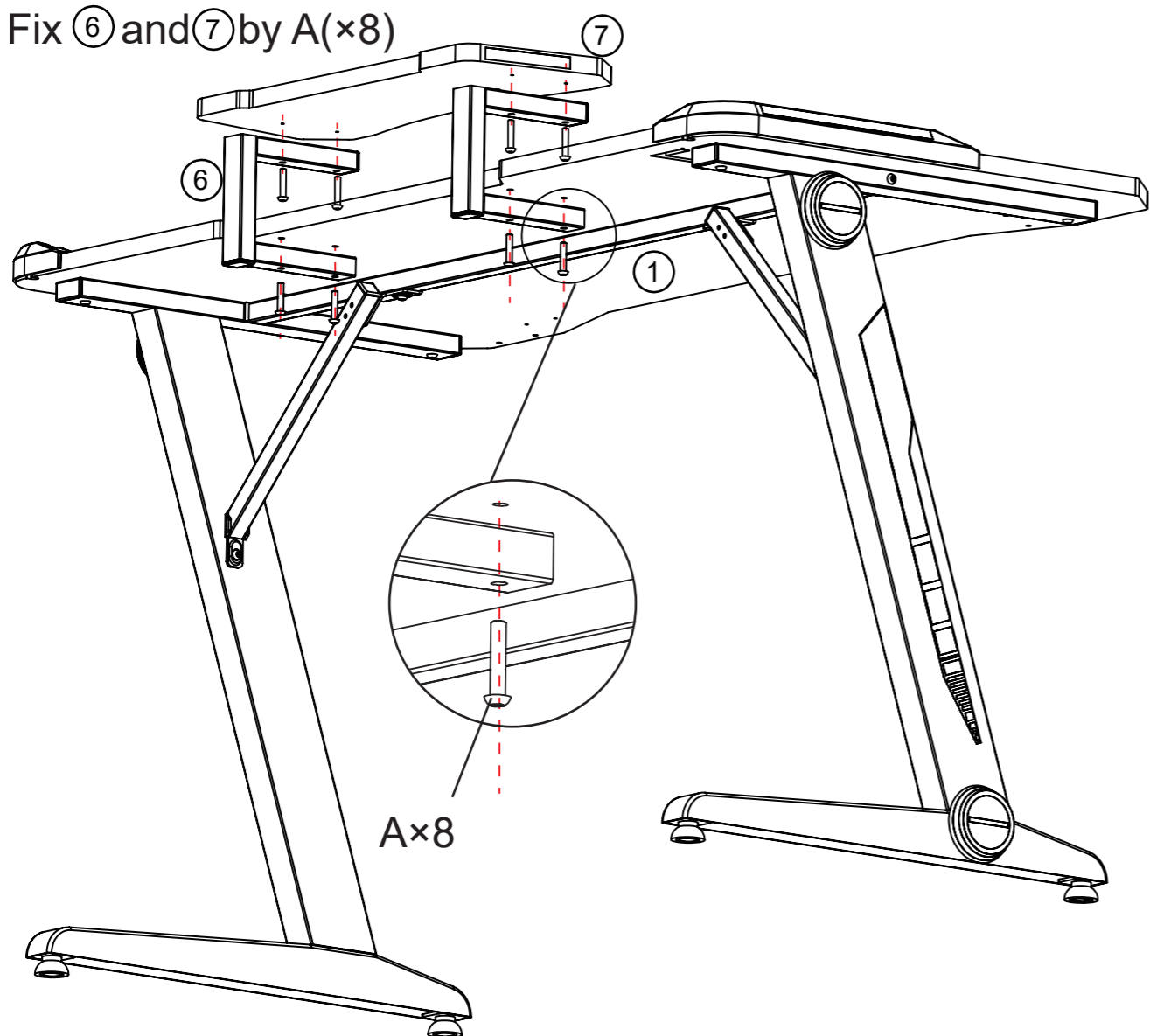
Tools



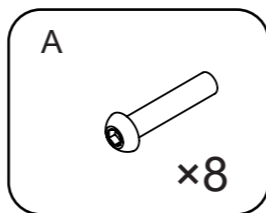
6

Connect the connecting wire of ⑦
with the connecting wire of ①

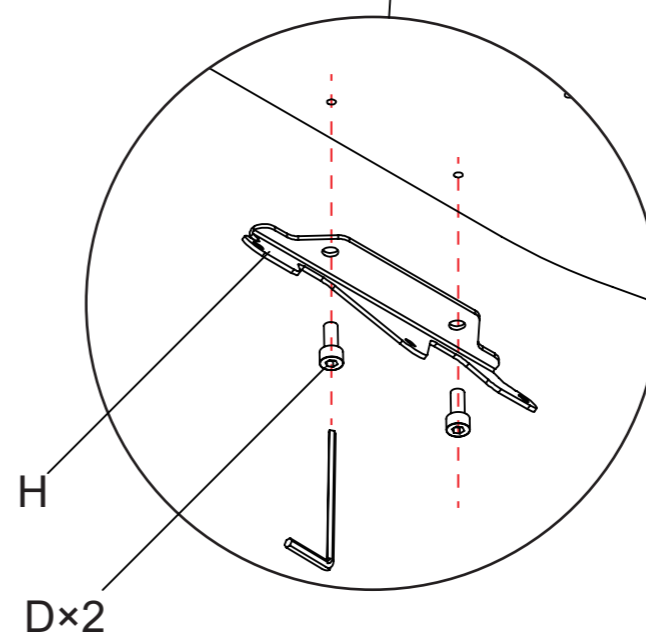
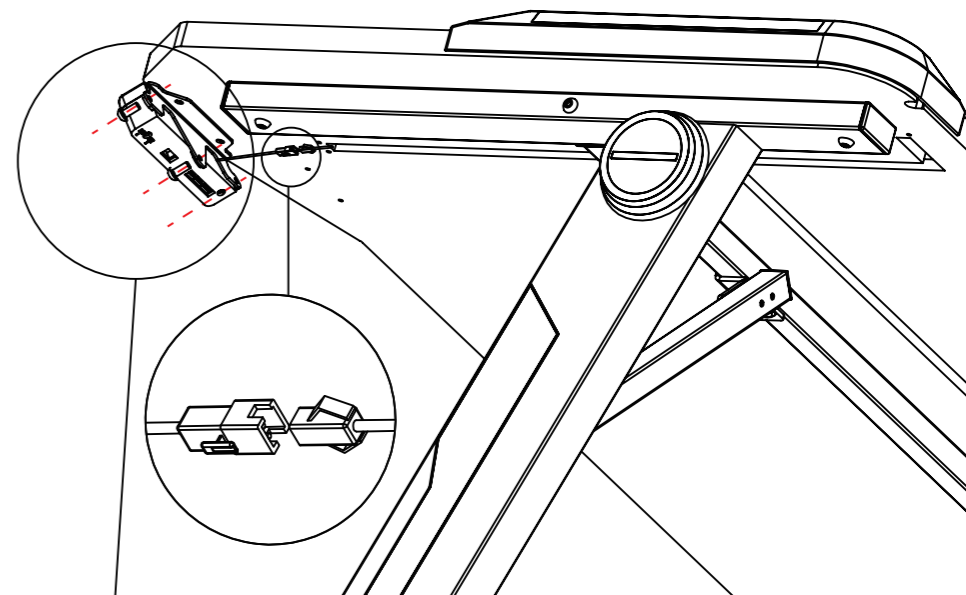
Fix ⑥ and ⑦ by A(x8)



Ax8

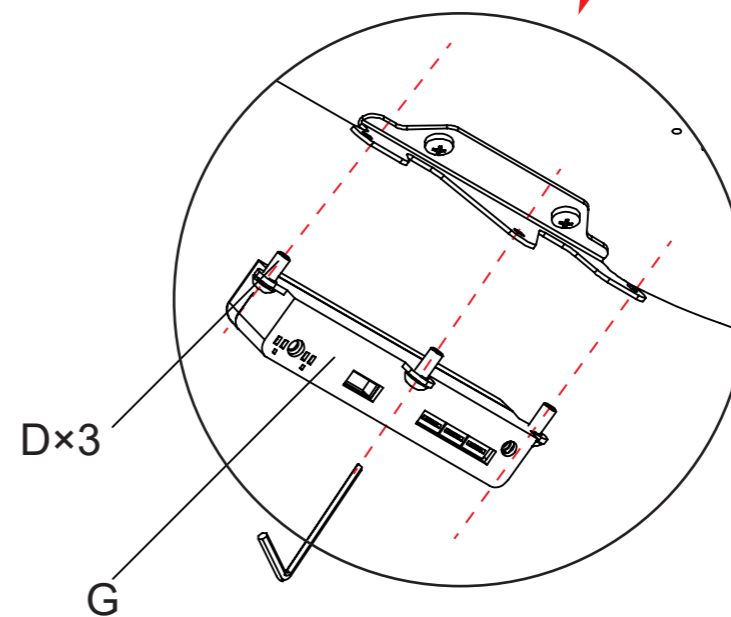


7



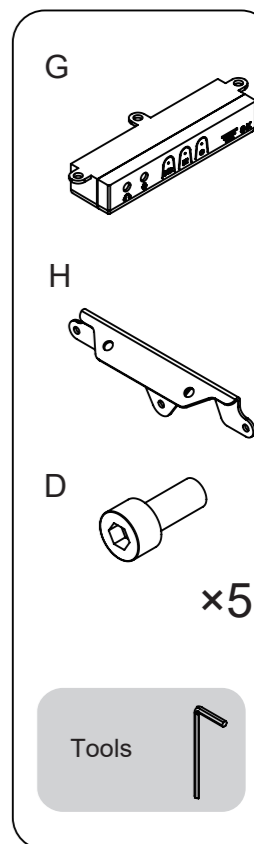
H

Dx2



Dx3

G



G

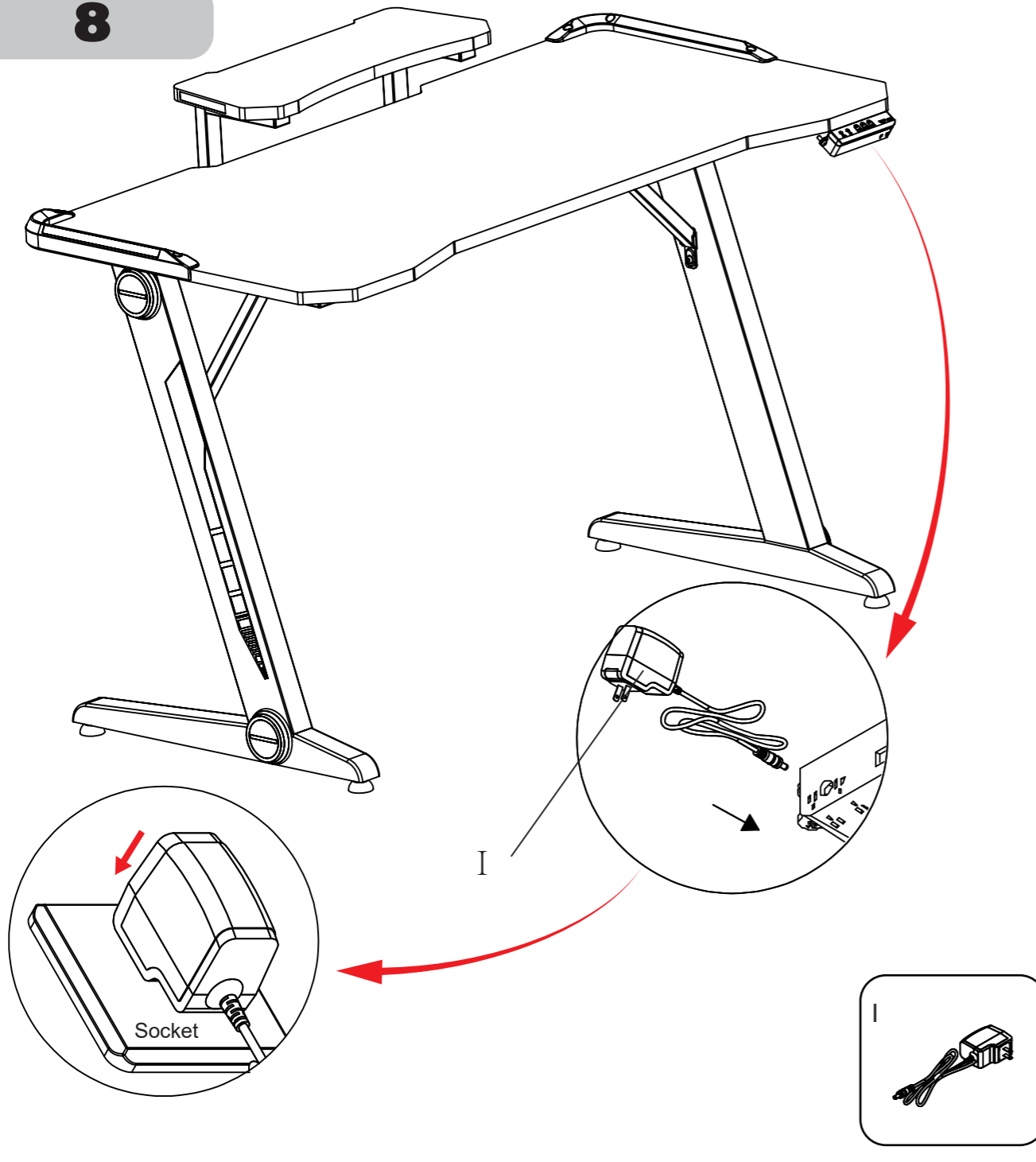
H

D

x5

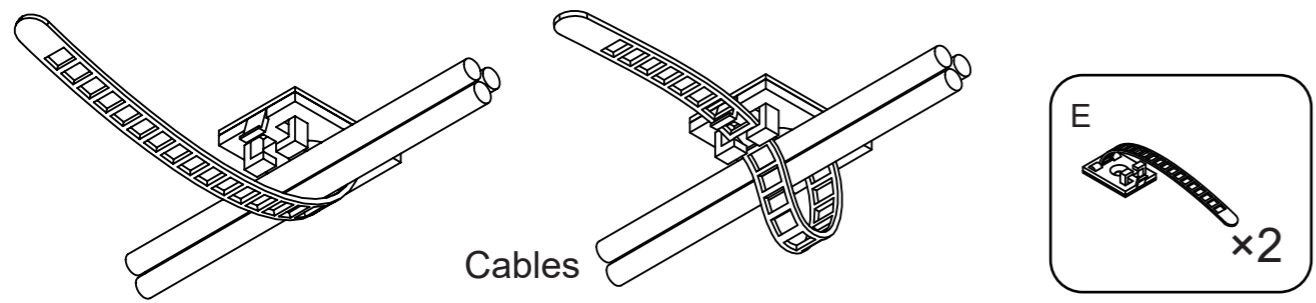
Tools

8

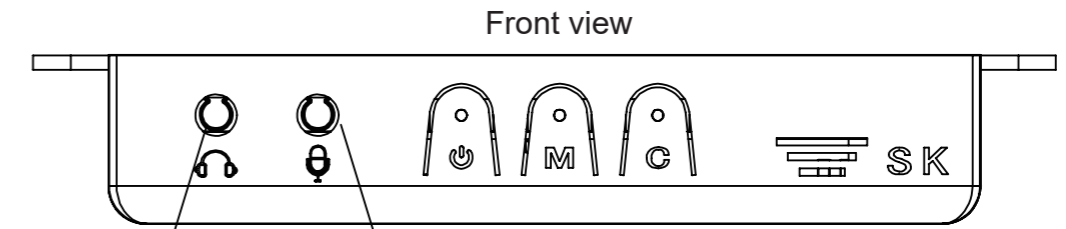


Tips

Uncover the back glue of E and stick it under the desktop, E can be used to arrange cables



Manual controller instruction



Headphone port Microphone port

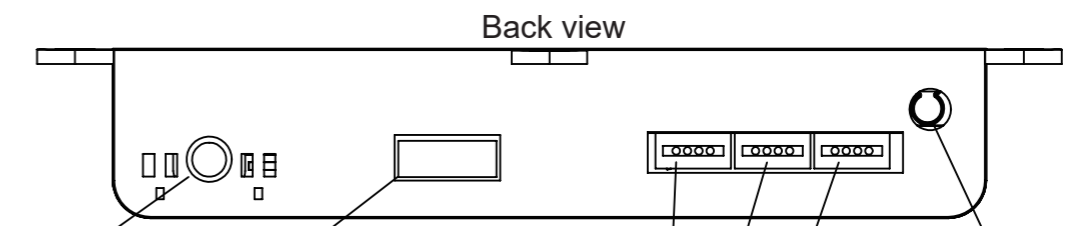
Power button: Press for 3 seconds to turn on the light;
Press for 3 seconds to turn off the light.

M(Mode button): 3 modes: 1) Single color mode
2) RGB color mode
3) Music mode

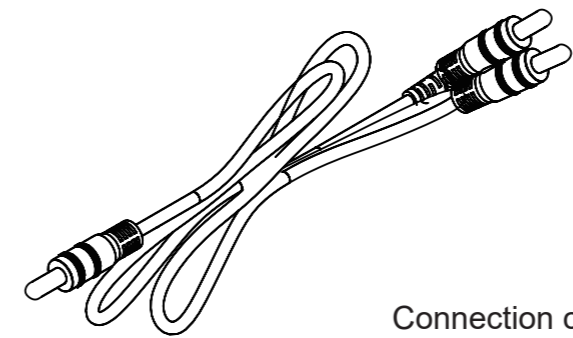
Press the button for cycle mode switching.

C(Color button): Press to change the color with 8 options;
Long press to adjust the brightness of light.

Music mode: The light would flash with the sound of music.
Better to adjust the volume of the computer to 30-60 for the best experience.



Power port USB Port
Only for 5V/2.5A 1 for single color light
2&3 for RGB light Audio port



Connection cable: Green for headphone port of computer;
Red for microphone port of computer