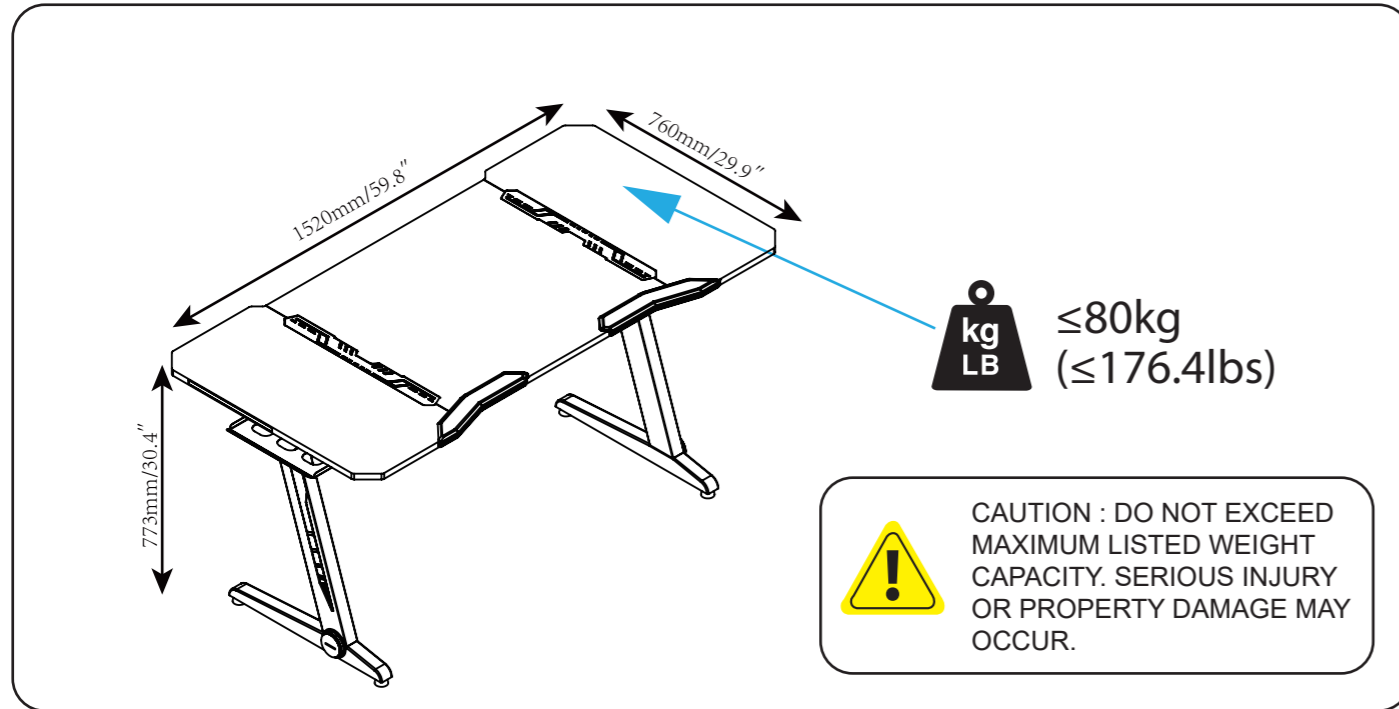
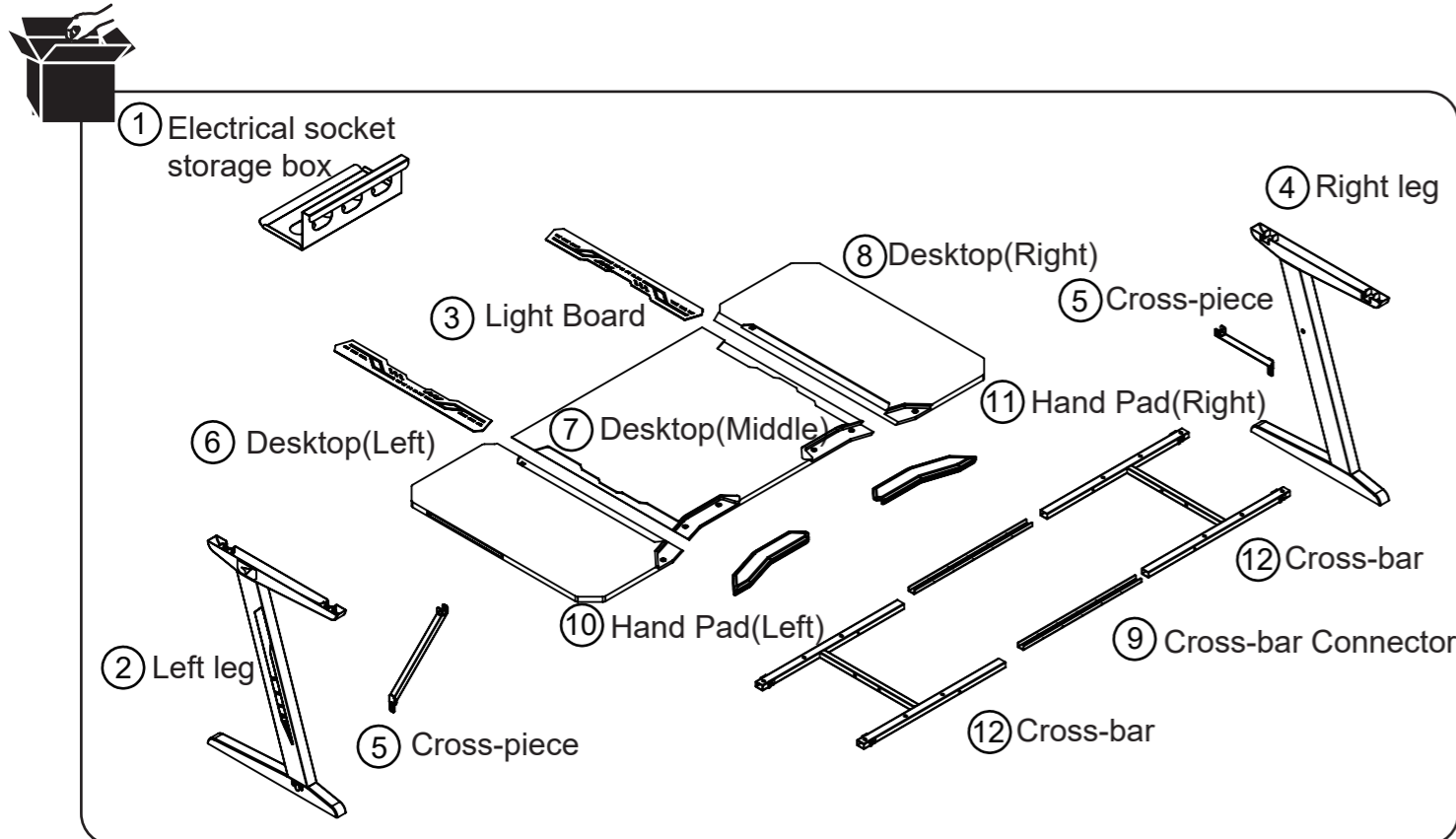


DZ-GD21S Gaming desk

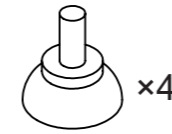
MOUNTING INSTRUCTIONS



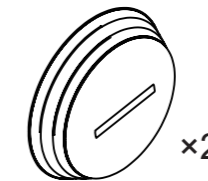
PARTS LIST



A) Adjustable pad



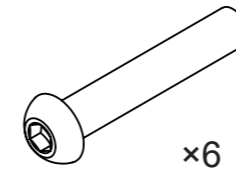
B) Decorative cover



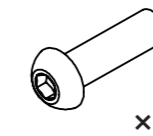
C) Cable management



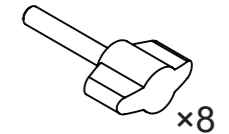
D) M6×35mm



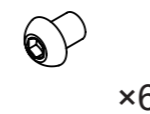
E) M6×16mm



F) Knob



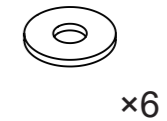
G) M6×8mm



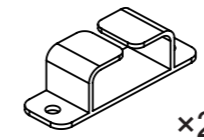
H) M5×12mm



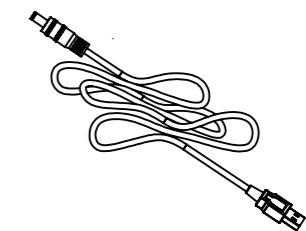
I) M6×1mm



J) Hook for cable management



K) USB cable



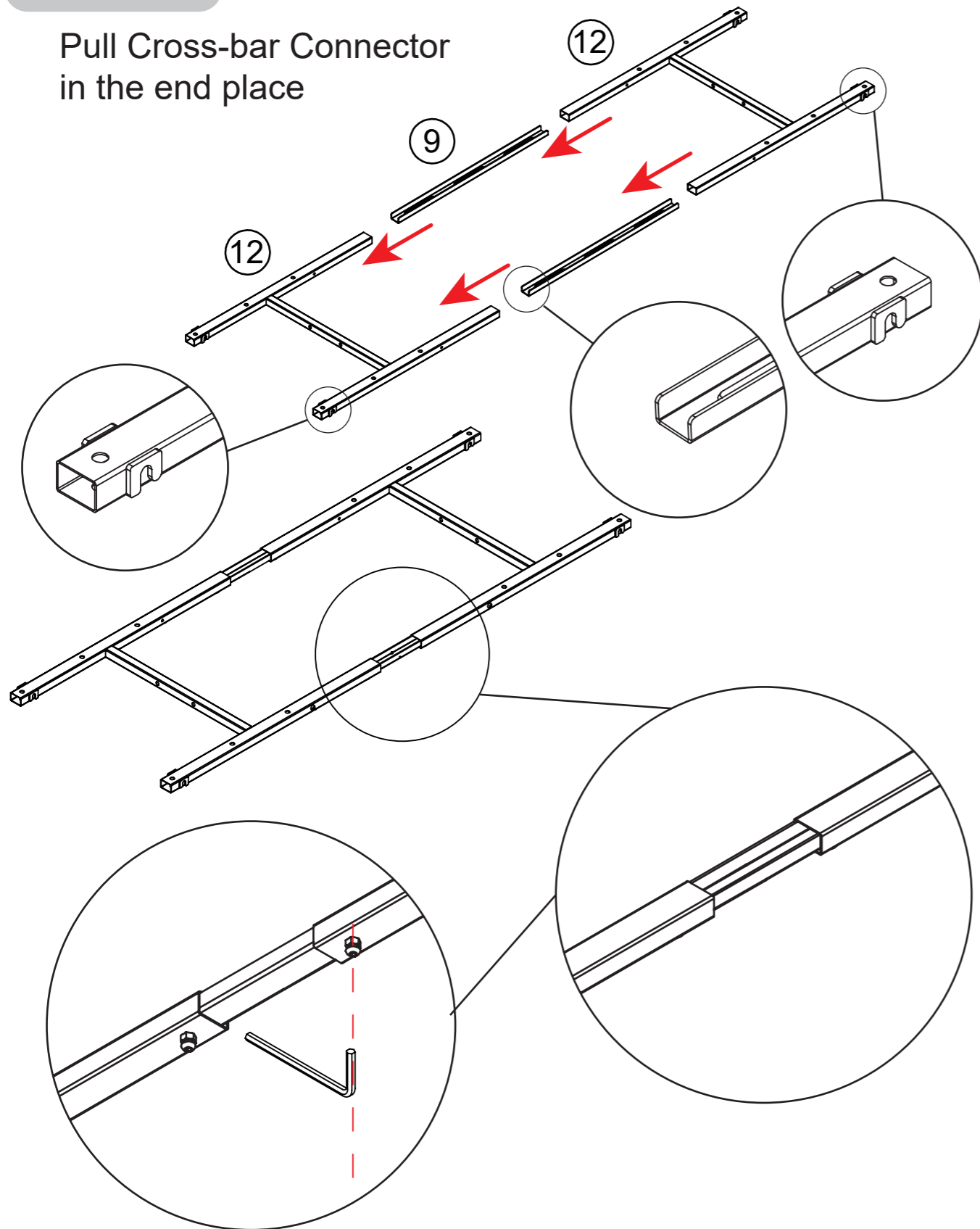
Tools



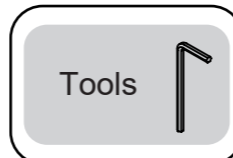
INSTALLATION STEPS

1

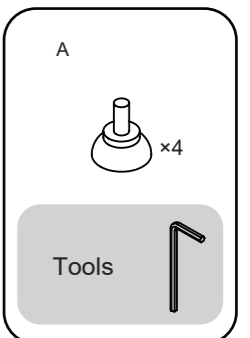
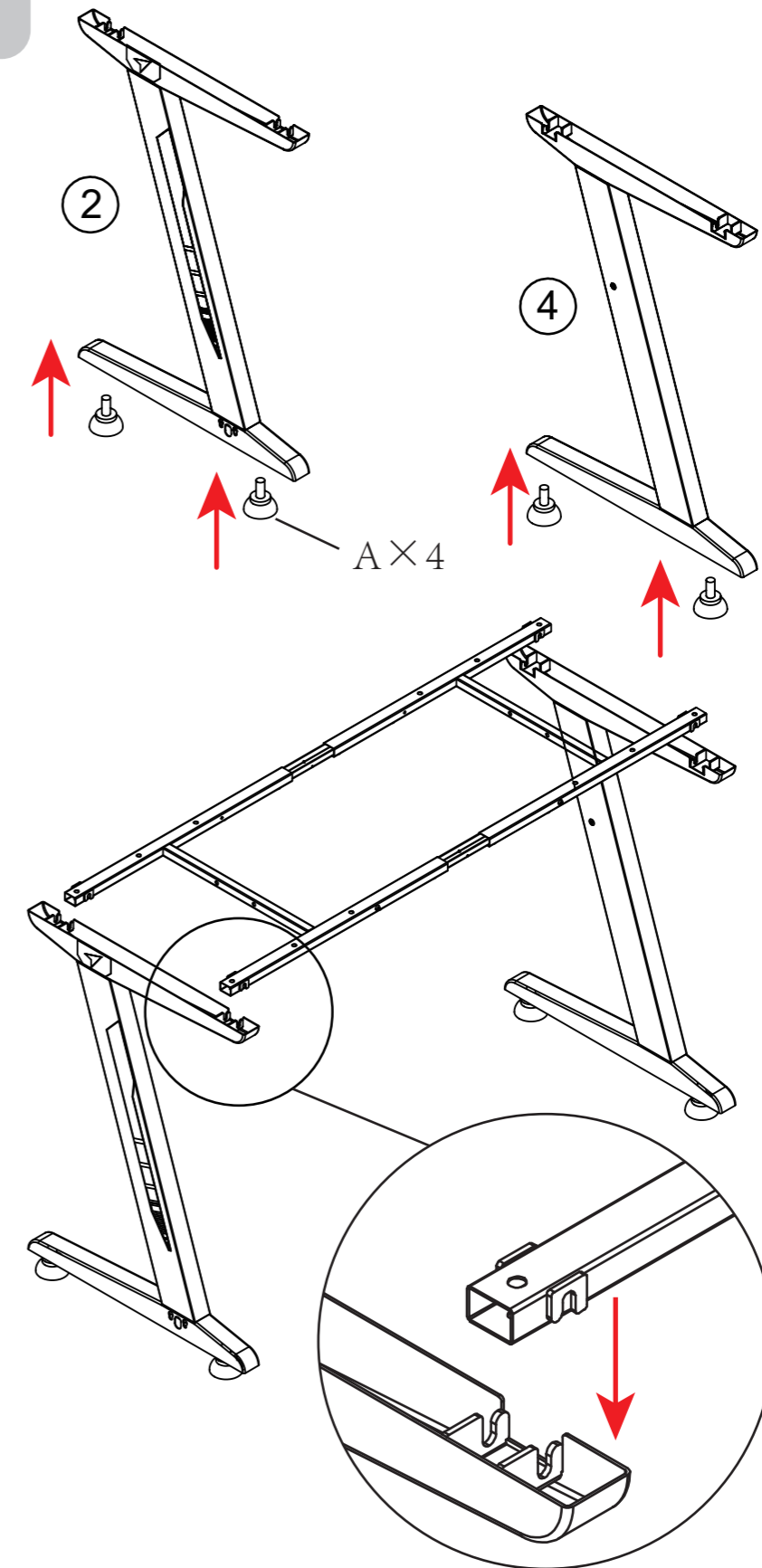
Pull Cross-bar Connector
in the end place



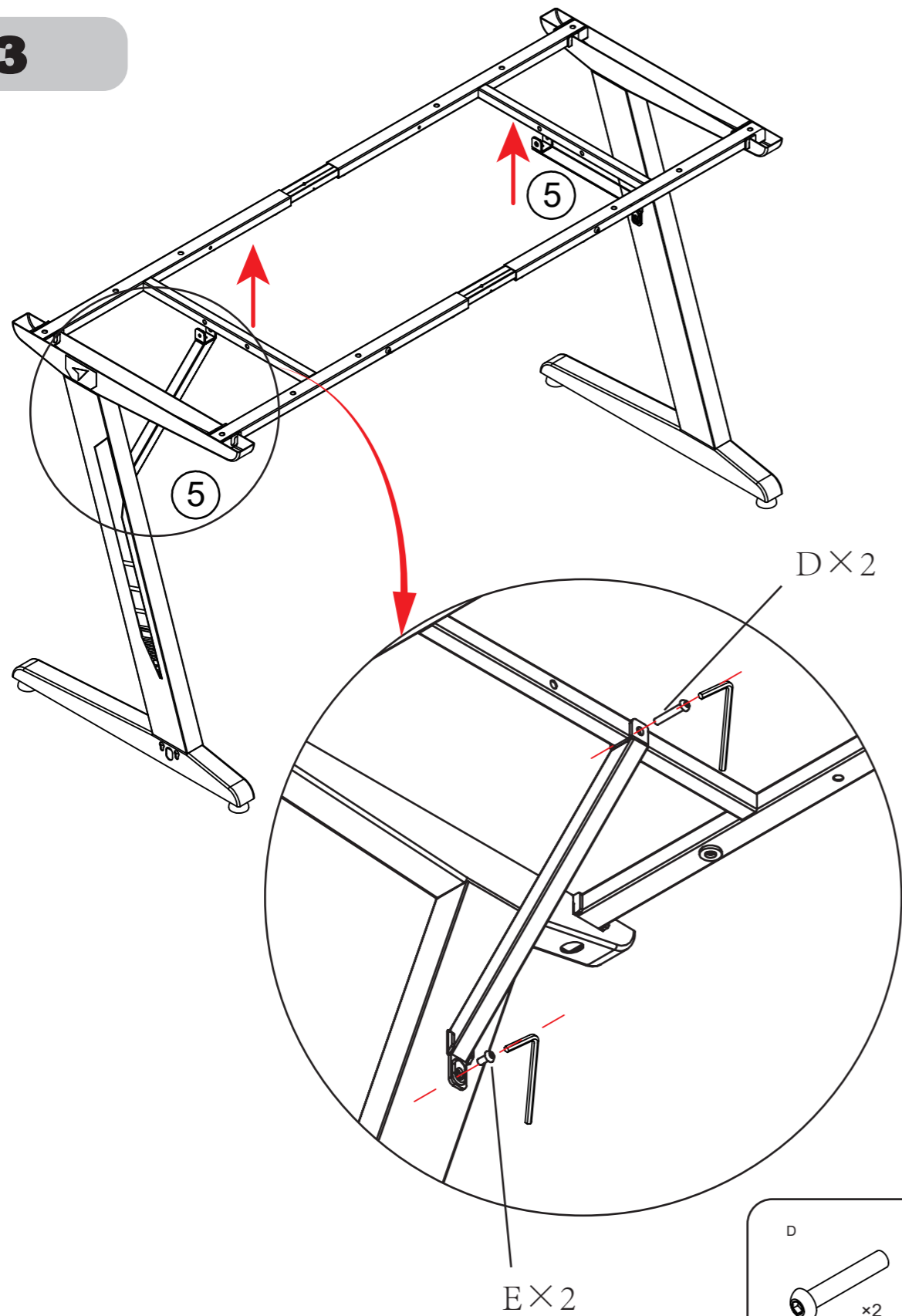
Combine (12) & (9) and tighten the bottom screws
If (12) & (9) cannot be inserted,
please loosen the screw first



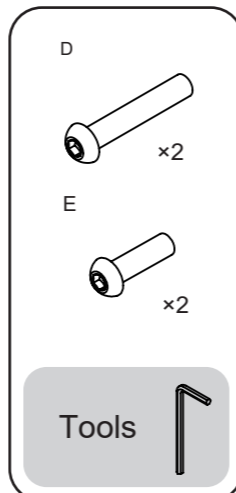
2



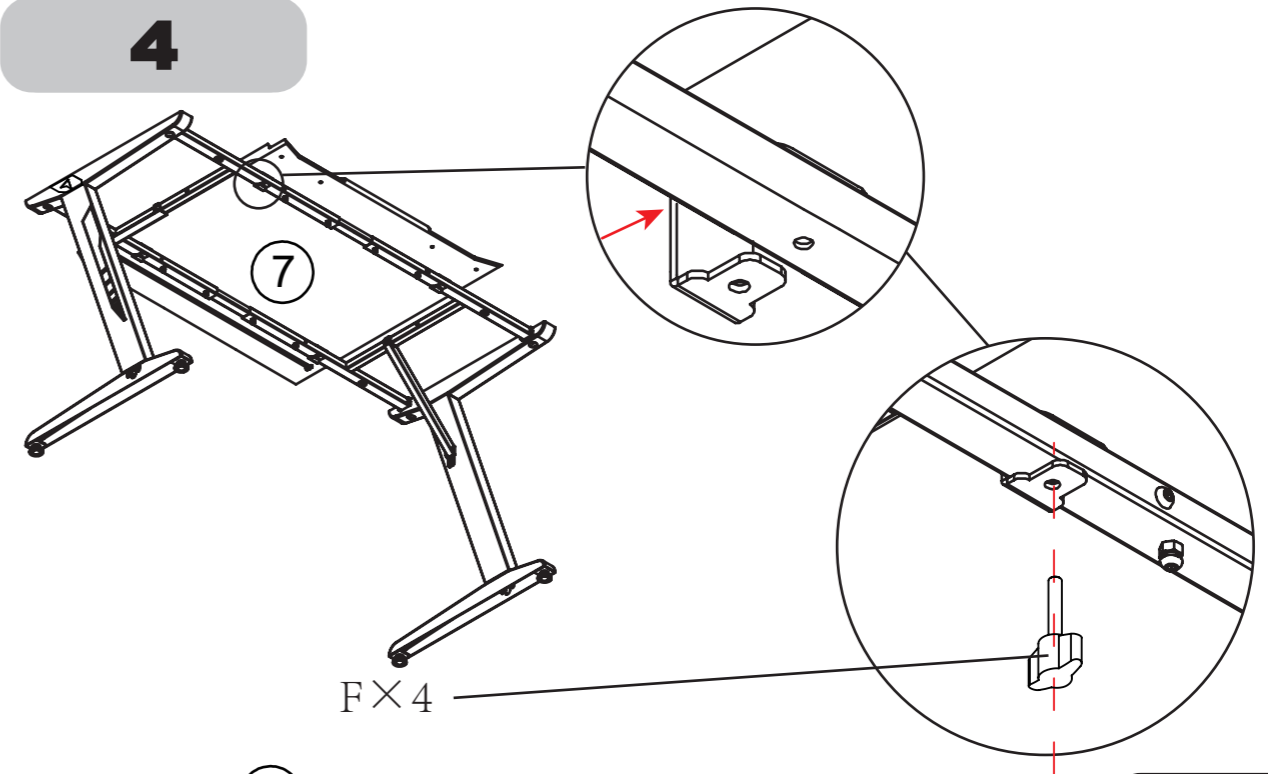
3



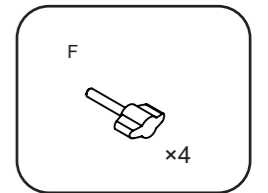
Connect ⑤ with the frame by D(x2)&E(x2) and tighten the screws



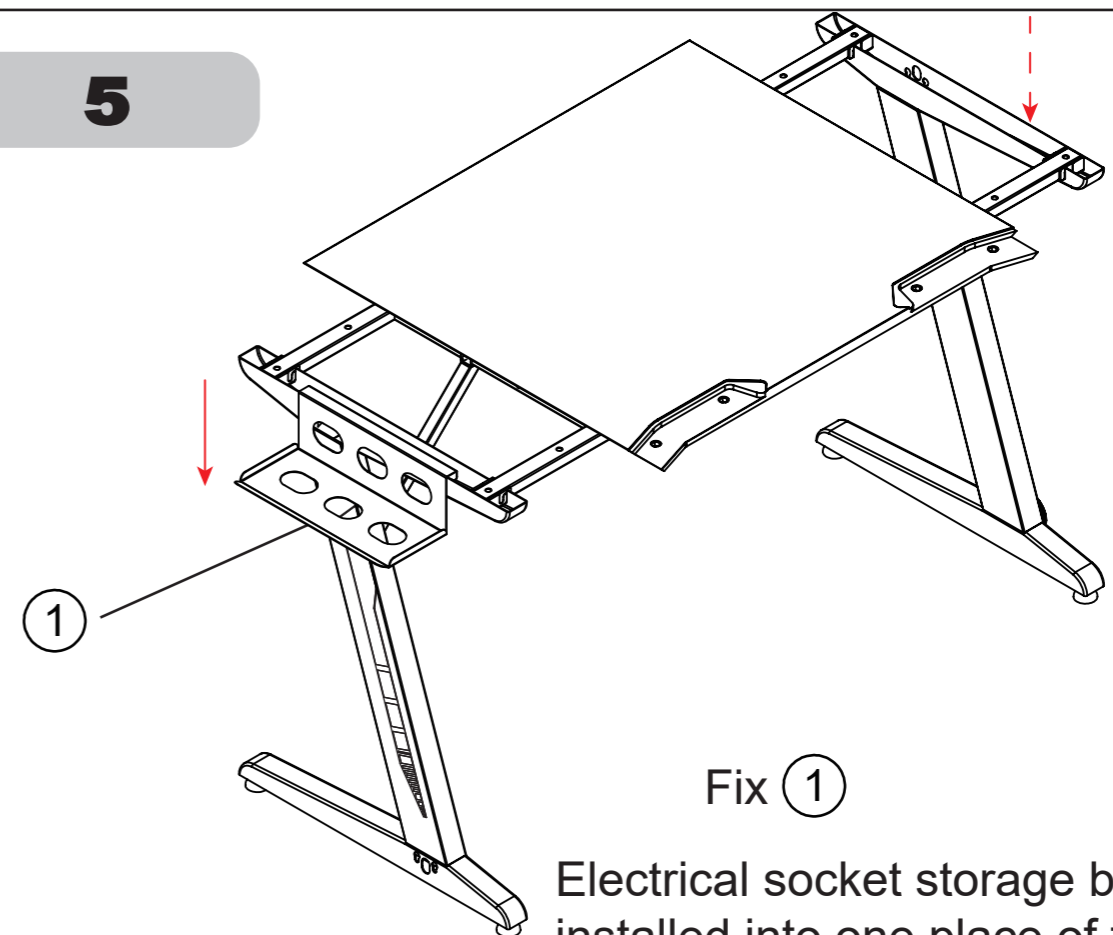
4



Connect ⑦ with the frame by F(x4)
Do not lock the knobs in main steel frames



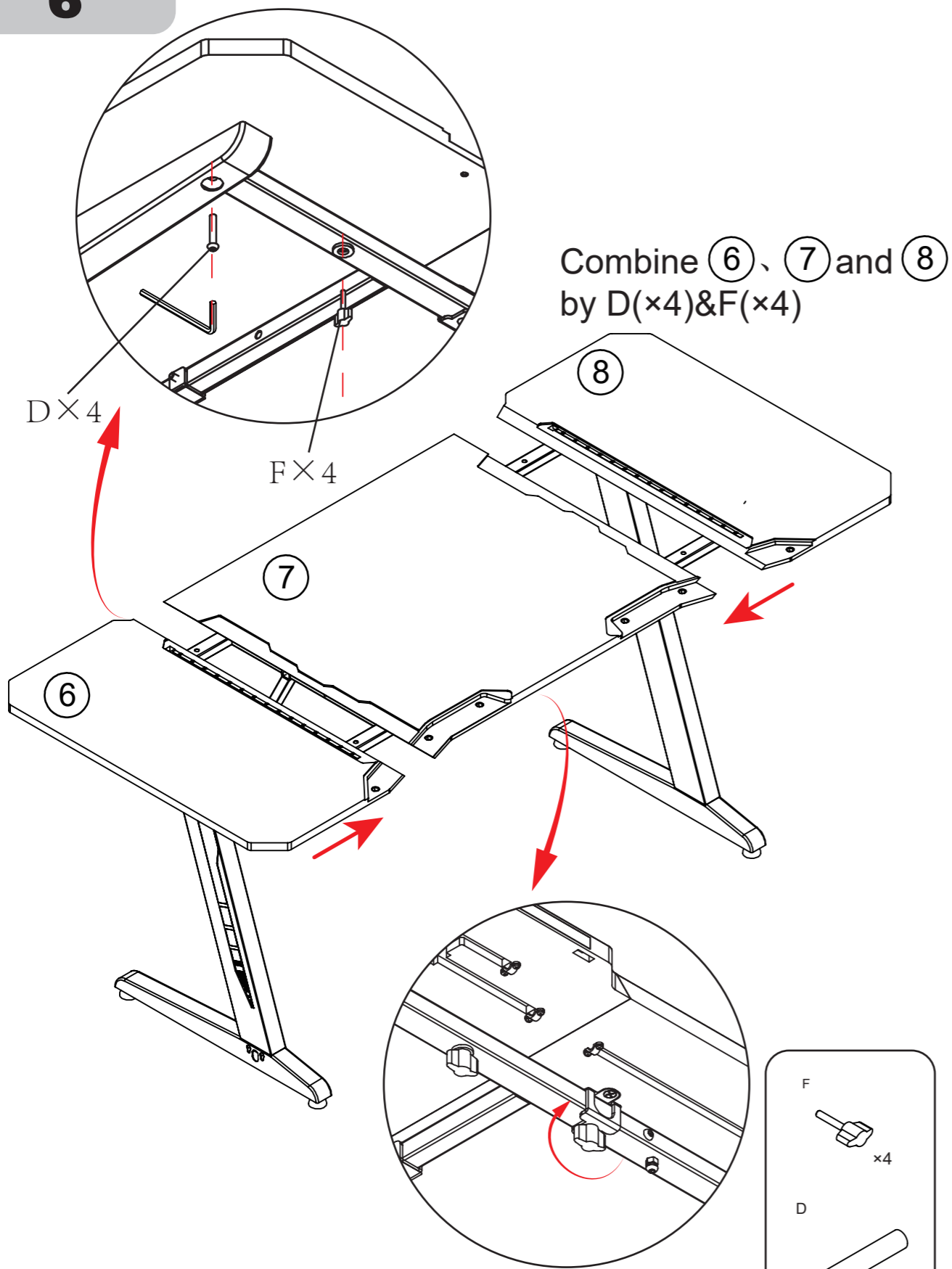
5



Fix ①

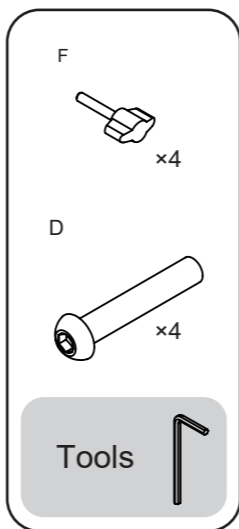
Electrical socket storage box can be installed into one place of the two

6



Combine ⑥、⑦ and ⑧
by D(x4)&F(x4)

Lock all the screws and knobs after
tabletop has pieced together

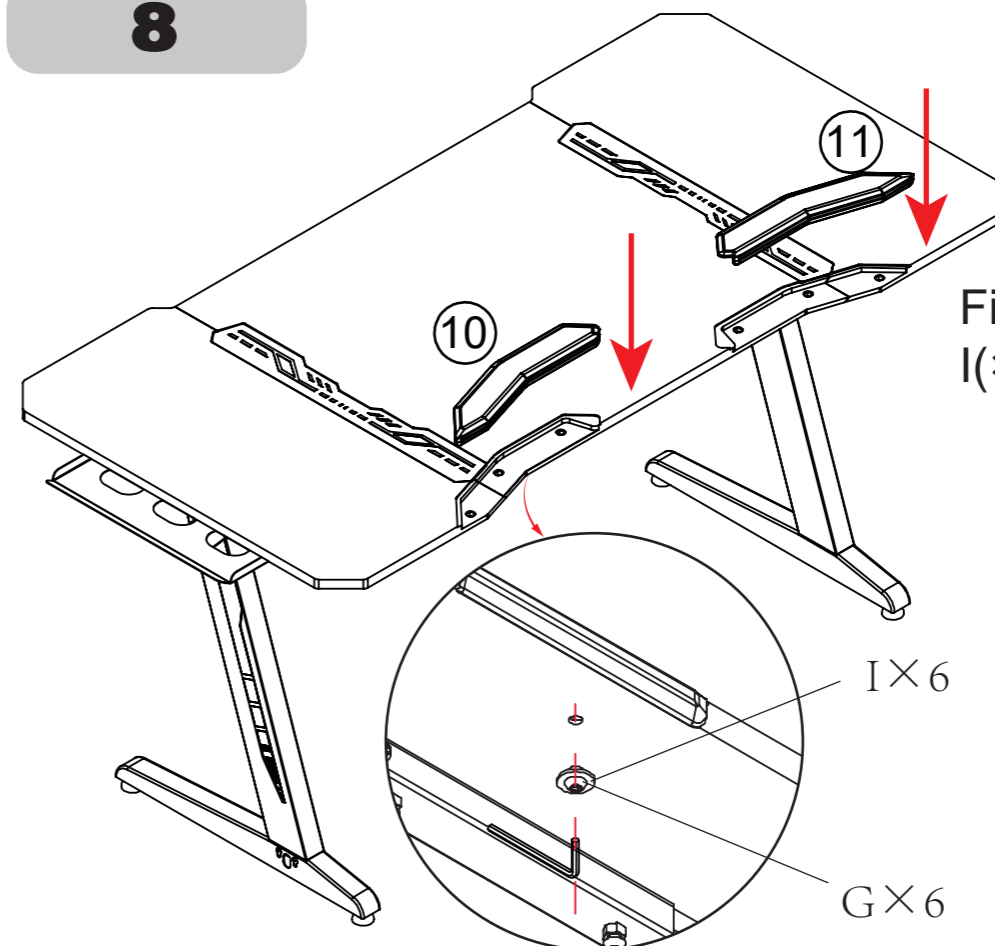


7

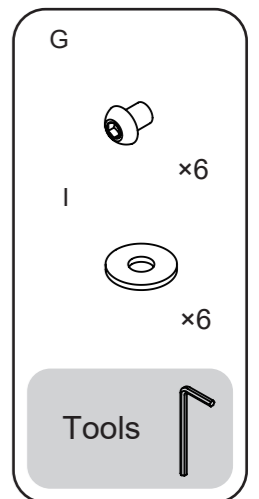


Keep the desktop tidy and
fit ③ to the groove
There's adhesive strip on the back
of ③

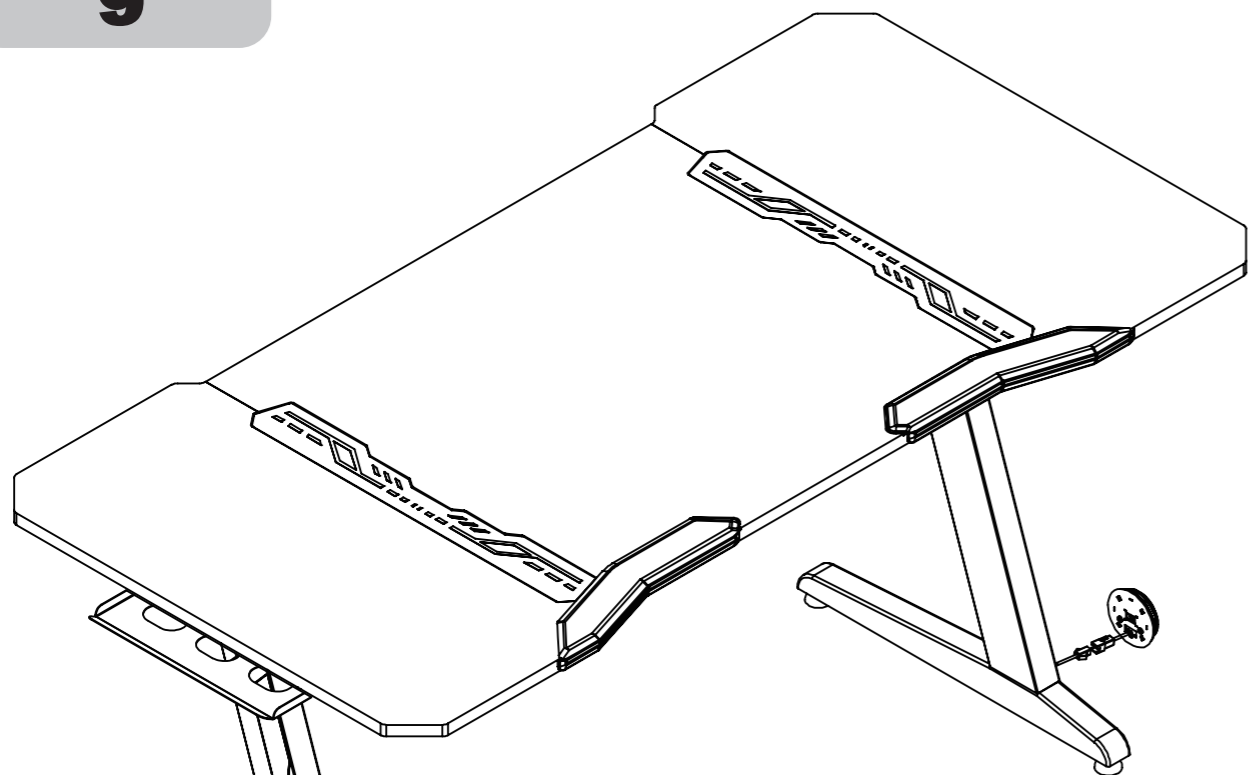
8



Fix ⑩ and ⑪ by
I(x6)&G(x6)

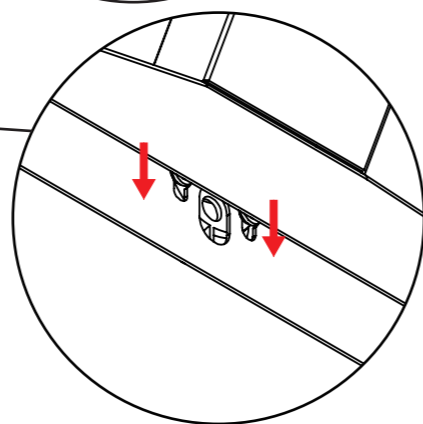
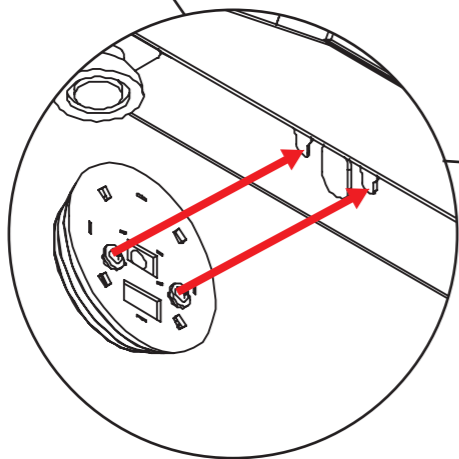
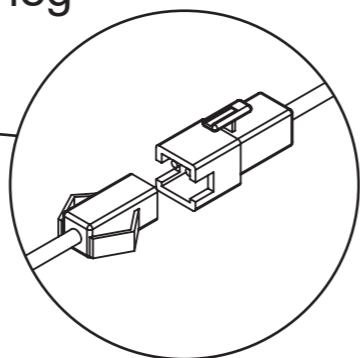


9

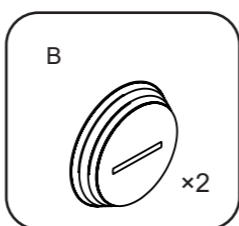


Connect either wire interfaces on the leg

B × 2

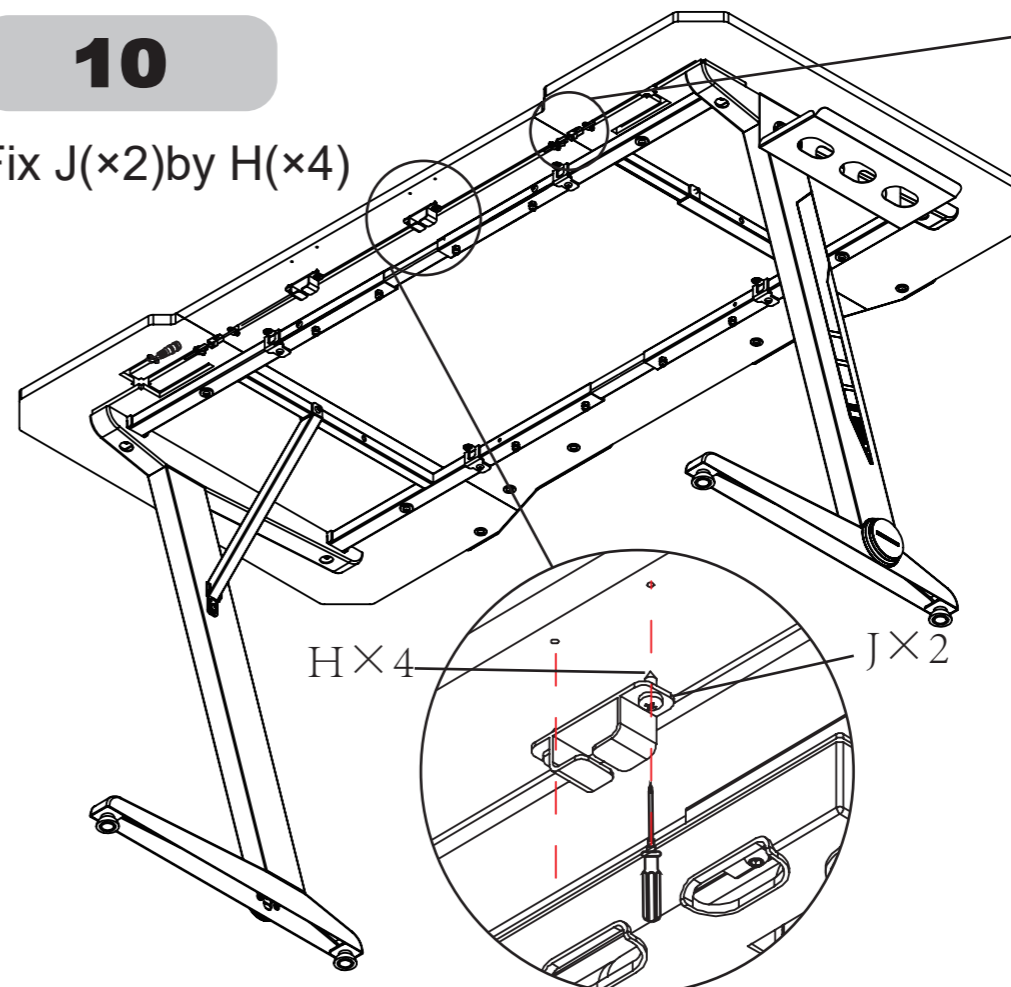


Lock B (x2) on both leg



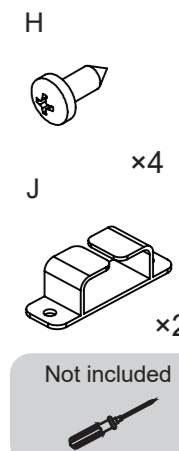
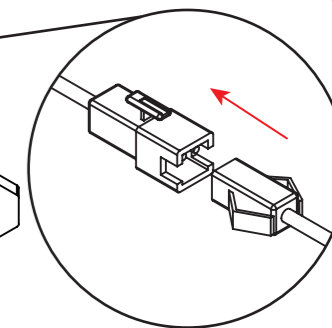
10

Fix J(x2) by H(x4)

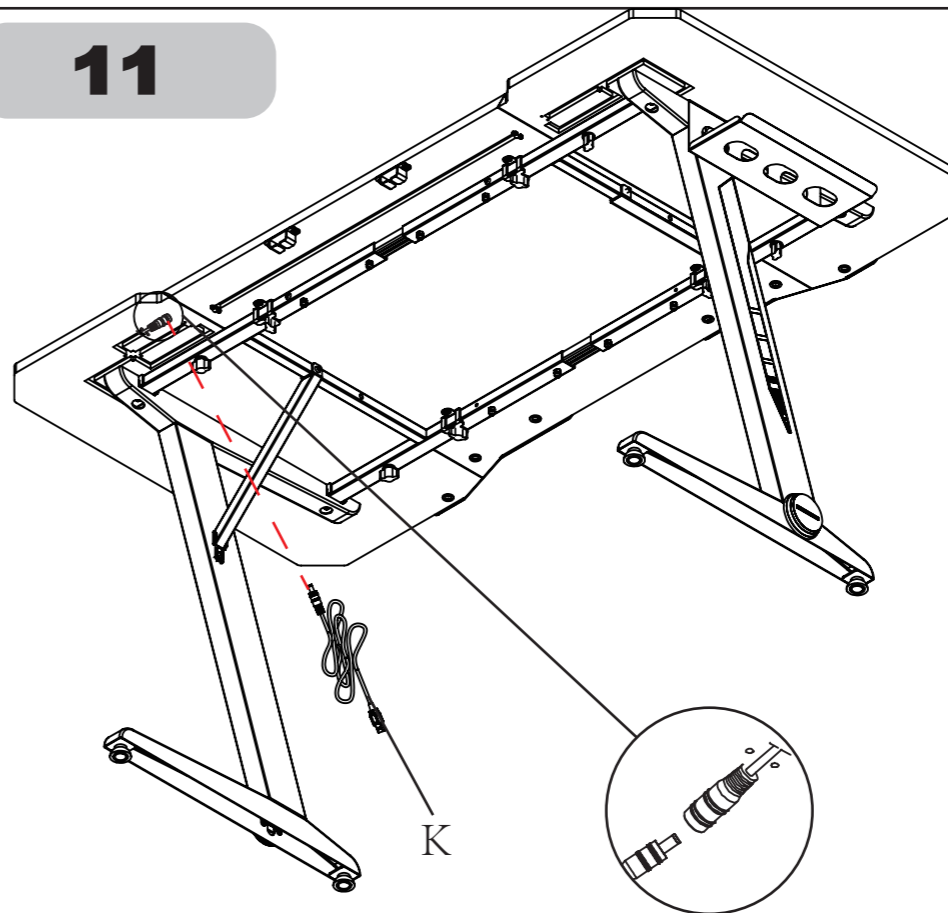


H × 4

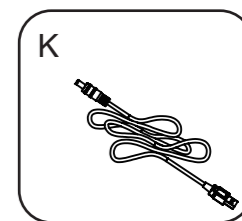
J × 2



11



K



Tips

Uncover the back glue of C and stick it under the desktop,
C can be used to arrange cables

