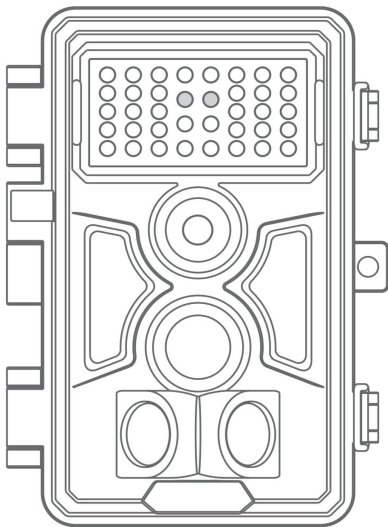


# TRAIL CAMERA



**MODEL: A262**  
**INSTRUCTION MANUAL**  
**EN DE FR IT ES**

V1.0



# TABLE OF CONTENT (English)

1. IN THE BOX .....	1
2. IMPORTANT NOTE .....	1
3. INTRODUCTION .....	1
3.1. ABOUT THE CAMERA .....	1
3.2. MAIN FEATURES .....	2
4. PARTS AND CONTROLS .....	3
5. INSTALLING THE BATTERIES AND SD CARD .....	6
5.1. LOADING BATTERIES .....	6
5.2. INSERTING THE SD CARD .....	7
6. USING THE CAMERA .....	8
7. THE OFF, ON, AND SET MODES .....	9
7.1. OFF MODE .....	9
7.2. ON MODE .....	9
7.3. SET MODE .....	10
<i>Shortcut Keys/Functions</i> .....	10
8. ADVANCED SETTINGS .....	11
9. MOUNTING AND POSITIONING THE CAMERA .....	15
9.1. MOUNTING .....	15
9.2. SENSING ANGLE AND DISTANCE TEST .....	16
9.3. SWITCHING ON THE CAMERA .....	18
10. REVIEW PHOTOS OR VIDEOS .....	19
11. TECHNICAL SPECIFICATIONS .....	19
12. TROUBLESHOOTING .....	21

# INHALTSVERZEICHNIS (Deutsche)

1. INHALT DER BOX .....	23
2. WICHTIGE ANMERKUNG .....	23
3. EINFÜHRUNG .....	24
3.1. ÜBER DIE KAMERA .....	24
3.2. HAUPTMERKMALE .....	24
4. KOMPONENTEN UND KONTROLLEN .....	25
5. BATTERIEN UND SD-KARTE EINLEGEN .....	28
5.1. BATTERIEN EINLEGEN .....	28
5.2. SD-KARTE EINSTECKEN .....	29
6. VERWENDUNG DER KAMERA .....	31
7. OFF-, ON- UND SET-MODUS .....	31
7.1. OFF-MODUS .....	31
7.2. ON-MODUS .....	32
7.3. SET-MODUS .....	32
<i>Tastenkürzel/Funktionen</i> .....	33
8. ERWEITERTE EINSTELLUNGEN .....	33
9. MONTAGE UND POSITIONIERUNG .....	39
9.1. MONTAGE .....	39
9.2. TEST VON ABTASTWINKEL UND ABSTAND .....	40
9.3. UMSCHALTEN VON FUNKTIONEN DER KAMERA .....	42
10. FOTOS ODER VIDEOS ANSEHEN .....	43
11. DIE TECHNISCHE DATEN .....	43
12. FEHLERBESEITIGUNG .....	45

# TABLE DES MATIÈRES (Français)

1. DANS LA BOÎTE .....	47
2. REMARQUE IMPORTANTE .....	47
3. INTRODUCTION .....	47
3.1. À PROPOS DE LA CAMÉRA .....	47
3.2. CARACTÉRISTIQUES PRINCIPALES .....	48
4. PIÈCES ET CONTRÔLES .....	49
5. INSTALLATION DES PILES ET DE LA CARTE SD .....	52
5.1. INSTALLATION DES PILES .....	52
5.2. INSERTION DE LA CARTE SD .....	53
6. UTILISATION DE LA CAMÉRA .....	54
7. LES OFF, ON, AND SET MODES .....	55
7.1. OFF-MODE .....	55
7.2. ON-MODE .....	55
7.3. SET-MODE .....	56
<i>Touches de raccourci/Fonctions .....</i>	<i>57</i>
8. PARAMÈTRES AVANCÉS .....	57
9. MONTAGE ET POSITIONNEMENT .....	64
9.1. MONTAGE .....	64
9.2. TEST D'ANGLE ET DE DISTANCE DE DETECTION .....	65
9.3. MISE EN MARCHÉ DE LA CAMÉRA .....	66
10. VOIR DES PHOTOS OU DES VIDÉOS .....	67
11. SPÉCIFICATIONS TECHNIQUES .....	68
12. DÉPANNAGE .....	70

# TABELLA DEI CONTENUTI (Italiano)

1. CONTENUTO DELLA CONFEZIONE .....	72
2. NOTA IMPORTANTE .....	72
3. INTRODUZIONE .....	72
3.1. INFORMAZIONI SULLA FOTOCAMERA .....	72
3.2. CARATTERISTICHE PRINCIPALI .....	73
4. COMPONENTI E CONTROLLI .....	74
5. INSTALLAZIONE BATTERIE E SCHEDA SD .....	77
5.1. INSTALLAZIONE DELLA BATTERIA .....	77
5.2. INSERIRE SCHEDA SD .....	78
6. COME USARE LA FOTOCAMERA .....	79
7. LE MODALITÀ OFF, ON E SET .....	80
7.1. MODALITÀ OFF .....	80
7.2. MODALITÀ ON .....	80
7.3. MODALITÀ SET .....	81
<i>Scorciatoie/Funzioni</i> .....	82
8. IMPOSTAZIONI AVANZATE .....	82
9. MONTAGGIO E POSIZIONAMENTO .....	89
9.1. MONTAGGIO .....	89
9.2. ANGOLO DI RILEVAMENTO E DISTANZA TEST .....	90
9.3. INIZIA A UTILIZZARE LA FOTOCAMERA .....	91
10. RIVEDERE FOTO O VIDEO .....	92
11. SPECIFICHE TECNICHE .....	93
12. RISOLUZIONE DEI PROBLEMI .....	95

# TABLA DE CONTENIDO (Español)

1. CONTENIDO DEL PAQUETE .....	97
2. NOTA IMPORTANTE .....	97
3. INTRODUCCIÓN .....	98
3.1. ACERCA DE LA CÁMARA .....	98
3.2. PRINCIPALES CARACTERÍSTICAS .....	98
4. COMPONENTES Y CONTROLES .....	99
5. INSTALACIÓN DE LAS BATERÍAS Y LA TARJETA SD .....	102
5.1. INSTALACION DE BATERIAS .....	102
5.2. INTRODUCIR LA TARJETA SD .....	103
6. CÓMO USAR LA CÁMARA .....	104
7. LOS MODOS OFF, ON Y SET .....	105
7.1. MODO OFF .....	105
7.2. MODO ON .....	105
7.3. MODO SET .....	106
<i>Funciones / teclas de acceso directo</i> .....	106
8. AJUSTES AVANZADOS .....	107
9. MONTAJE Y COLOCACIÓN .....	113
9.1. MONTAJE .....	113
9.2. PRUEBA DE ÁNGULO Y DISTANCIA DE DETECCIÓN .....	114
9.3. ENCENDIDO DE LA CÁMARA .....	115
10. REVISAR FOTOS O VIDEOS .....	116
11. ESPECIFICACIONES TÉCNICAS .....	117
12. RESOLUCIÓN DE PROBLEMAS .....	119

## 1. IN THE BOX

1 x Camera, 1 x Mounting Strap,  
1 x Instruction Manual, 1 x Mini USB Cord

*Note: Memory card and batteries are not included (user supplied).*

## 2. IMPORTANT NOTE

Require eight (8) 1.5V AA Alkaline or Lithium batteries. We recommend the use of Energizer AA Lithium batteries in this camera to obtain maximum battery life.

Do not mix old and new batteries. Do not mix battery type.

Rechargeable NiMH AA batteries can be used, but the lower voltage (generally 1.2V) they produce has short lifetime, you may have to replace them frequently.

Remove batteries when the camera is NOT in use.

Require a standard-size SDHC/SDXC memory card (maximum capacity 512GB, Class 10). We recommend using SanDisk 32GB SDHC Class 10 memory cards in the camera to obtain the best cost-performance.

**Before first use, please format your SD card in the camera by using "Format SD Card" in the menu settings.**

## 3. INTRODUCTION

### 3.1. ABOUT THE CAMERA

The A262 trail camera is a new generation of digital scouting camera, it can be triggered by any movement of game in a location, detected by a highly sensitive Passive Infra-Red (PIR)



motion sensor, and then take high quality pictures (up to 32MP still photos), 1296P 20fps or 1080P 30fps video clips.

The camera features the all new innovative imaging technology. The camera encompasses all-new software innovations, smart illumination technology, blur reduction technology, auto noise reduction and dynamic exposure technology to deliver high resolution image quality, multi-zone detection, pre-activated technology and fast boot to deliver 0.1s fast trigger speed and 0.5s recovery time. The camera consumes very little power (less than 0.1mA) in a stand-by (surveillance) state. It can deliver 8 months of standby operation time when the device is powered by eight AA 1.5V batteries.

### ***3.2. MAIN FEATURES***

- High quality pictures (up to 32MP still photos) or full HD H.264 video clips. The camera is equipped with a advanced CMOS sensor, premium f/1.6 great aperture lens and has exclusive imaging optimization algorithm; it can take clear photos or videos even at low light or dark environment.
- Clear night vision, flash range 90ft. (27m). The camera is equipped with 36pcs built-in high performance infrared no glow 940nm LEDs that function as a flash (invisible to human and animal eyes).
- Easy to use/program with well-designed operation buttons and built-in 2.4-inch LCD color screen, easy to review pictures and videos on the screen.
- 3 working modes - Motion detection, Time lapse and Hybrid.
- Fast trigger time approx. 0.1~0.5 seconds (pre-activated technology with 3 PIR sensors designed), Fast recovery time of less than 0.5 seconds, long trigger distance up to 90ft. (27m).
- Info strip on each capture: Date, Time, Temperature & Moon

Phase.

- Operation Hours, Loop Recording, Time Lapse, Password Protected.
- Built for any climate - IP66 Waterproof designed for outdoor use and resistant against rain and snow. Operation Temperature -4~140°F (-20 ~ 60°C).
- Support SD/SDHC/SDXC memory card, maximum capacity 512GB (*not included*).
- Extremely long in-field battery life up to 8 months in a stand-by state with 8 AA 1.5V batteries (*not included*).

#### **4. PARTS AND CONTROLS**

The camera is equipped with 36pcs high efficiency infrared LEDs, LED Indicators, Optical Lens, PIR Sensors, Lock Holes in front view (*Figure 1*).

**TIP:** During use, the black PIR Lens may be dirty or have scratches, however it does not affect the performance due to the reliability design. If you must clean it, please try to blow it off or pick out the dirt very lightly. Please do not try to wipe it, which may cause more scratches.

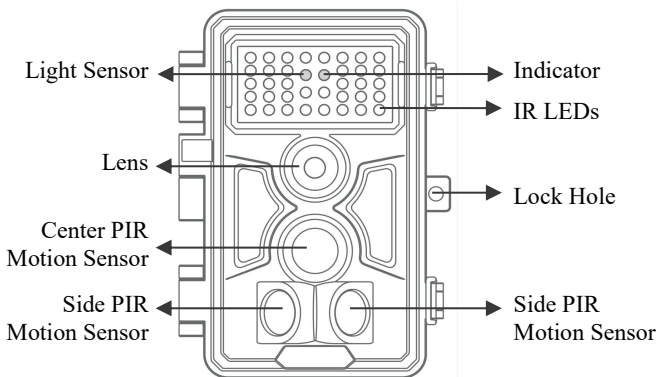


Figure 1: Front View

The camera provides the following connections for external devices: Mini USB port and SD card slot etc. (Figure 2).

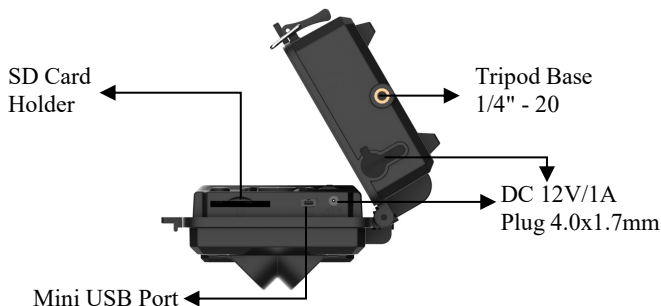


Figure 2: Bottom View

The camera has two strap holes on the back. The strap can be put through the strap holes and fastened securely around the tree trunk by pulling the end of the strap firmly (Figure 3).

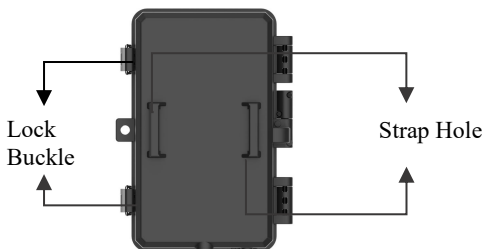


Figure 3: Back View

The camera has a 2.4-inch built-in LCD screen, which can be used for reviewing pictures or videos and menu displaying, and unique keypad design for easy program and operation, 8 AA batteries slot supported (Figure 4).



Figure 4: Inside View



Figure 5: Operation Buttons and Shortcut

A 3-way power switch is used to select the main operating modes: **OFF**, **ON**, and **SET** (*Figure 5*).

A control key interface with six keys is primarily used in **SET** mode to select operational functions and parameters. As shown in *Figure.5*, the keys can also perform a second function (shortcut operations in SET mode) in addition to their main function.

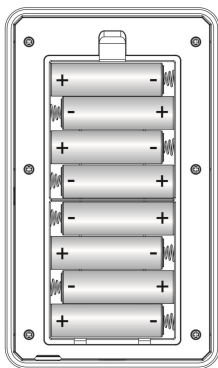
## **5. INSTALLING THE BATTERIES AND SD CARD**

Before you start learning how to use your camera, you will first need to install a set of batteries and insert an SD card. Although that may only take you a minute, there are some important notes about both batteries and SD cards you should be aware of, so please take the time to **read the following directions and cautions**:

### **5.1. LOADING BATTERIES**

After opening the cover of the battery compartment, you will see that the camera has eight battery slots (*Figure 6*). A full eight batteries must be installed for the camera to operate. Be sure to insert each battery with correct polarity (negative or "flat" end against the long spring of each battery slot).

In the **SET** mode when battery power level gets low, the message "**Low Battery**" will show on the screen, please replace the batteries. If the battery indicator shows in RED, this does mean the batteries are not able to drive IR LEDs flash at night, however the batteries still work at daytime until "Low Battery". If you want to continue night vision, please replace the batteries.



*Figure 6: Loading the Batteries*

## **5.2. INSERTING THE SD CARD**

Insert the SD card (with the camera's power switch in the **OFF** position) before beginning to operate the camera. Don't insert or remove the SD card when the power switch is in the **ON** or **SET** position. The camera uses a standard-size memory card to save photos (in .jpg format) and/or videos (in .mp4 format). SD and SDHC (High Capacity)/SDXC cards up to a maximum 512GB capacity are supported (*Figure 7*).



*Figure 7: Inserting the SD Card*

The following describes how to insert and remove the SD card:

- Insert the SD card into the card slot with its label side upwards. A "click" sound indicates that the card is installed successfully. If the wrong side of the card is facing up, you will not be able to insert it without force, there is only one correct way to insert cards. If the SD card is not installed correctly, the device will not display an SD card icon on the screen in **SET** mode. **Formatting the SD card** by using the camera's "Format" parameter in the menu settings before using it for the first time is recommended, especially when a card has been used in other devices.
- To take out the SD card, just gently push in the card (do not try to pull it out without pushing in first). The card is released from the slot and ready to be removed when you hear the click. Be sure the camera's power is switched **OFF** before inserting or removing SD cards or batteries.

## 6. USING THE CAMERA

Once you've prepared your camera by properly installing batteries and an SD card, you could simply take it outside, strap it to a tree (or not-according to your application scenario), switch it **ON** and leave-and you might get some great photos that are exactly what you wanted. However, we highly recommend that you first spend some additional time indoors with this manual and your camera until you know a bit more about what the 3-way switch and those control keys do. If nothing else, you'll probably want to at least set the date and time so the camera will imprint them (or not-it's your option) on your photos as they are taken, learn how to set the camera to shoot video clips instead of still photos if you like, and read some tips about mounting it on a tree.

## 7. THE OFF, ON, AND SET MODES

The camera has three basic operational modes:

- **OFF** mode: Power switch in the **OFF** position.
- **ON** mode: Power switch in the **ON** position.
- **SET** mode: Power switch in the **SET** position (screen is on).

### 7.1. OFF MODE

The **OFF** mode is the "safe" mode when any actions must be taken, e.g., replacing the SD card or batteries, or transporting the device. And of course, when you are storing or not using the camera, you will switch it to **OFF**. Please note that in the **OFF** mode the camera consumes little power. It's a good idea to take the batteries out of the battery compartment if the camera will not be used for a long time.

### 7.2. ON MODE

Any time after the batteries and SD card have been inserted, you can switch the camera on. When the power switch is moved to the middle position, the camera will enter into the **ON** (Surveillance) mode. If the Mode is set as "Motion Detection", the camera will countdown 30-second delay and then be ready to capture images. If the Mode is set as "Time Lapse", there will be no 30-second counting down, and the camera will be ready to enter Time Lapse.

Once in the **ON** mode, no manual controls are needed or possible (the control keys have no effect). The camera will take photos or videos automatically (according to its current parameter settings).

You can either move the power switch directly from **OFF** to **ON** mode, or stop at the **SET** position first to change one or more settings, then move the switch to **ON** after you have



finished doing so.

### **7.3. SET MODE**

In the **SET** mode you can check and change the settings of the camera with the help of its built-in screen. These settings, found in the menu by pressing **MENU** key, let you change the photo or video resolution, interval between photos, switch the time imprint on, etc. (*See more in Section 8 ADVANCED SETTINGS*).

Moving the power switch to the **SET** position will turn on the screen display, you will see an information screen that shows how many images have been taken, the battery level, camera or video mode, etc.

Attention please: In **SET** mode, the camera will automatically enter ON mode if there is no operation (key pressing) within 5 minutes. Then the camera will perform as your settings in the menu.

In the **SET** mode, you can connect the camera to a computer's USB port to download your images.

#### ***Shortcut Keys/Functions***

As mentioned earlier in "Parts & Controls", the keypads have secondary, "shortcut" functions when the camera is switched to **SET** mode:

- Press the **UP** key to quickly set the camera to shoot video clips.
- Press the **DOWN** key to quickly set the camera to take still photos.
- Press the **RIGHT** key to manually trigger the shutter. This is useful for testing the camera. The "number of images taken" counter on the top right of the screen will increase by one.
- Press the **OK** key to playback. Then press **UP** or **DOWN**

key to navigate the history photo or video if you want. Finally press the **OK** key to exit playback.

## 8. ADVANCED SETTINGS

The trail camera comes with preset manufacturer settings. You can change the settings to meet your requirements. Please make sure that the camera is in the **SET** mode. Once the camera screen is on, press **MENU** key to enter/exit the menu. Press the **UP/DOWN** key to move the marker, Press the **LEFT/RIGHT** key to change the setting, and press the **OK** key to confirm the change. Always remember to press the **OK** to save the change. Otherwise, you will lose your new setting.

Parameter	Settings ( <b>Bold</b> = default)	Description
<b>Mode</b>	Motion Detection, Time Lapse, Hybrid	In <b>Motion Detection</b> mode, the camera will take photos or videos once triggered. In <b>Time Lapse</b> mode, the camera will take photos or videos periodically according to your preset “Timelapse Interval” parameter. <b>Hybrid</b> mode includes both above.
<b>Photo or Video</b>	<b>Photo</b> , Video, Photo+ Video	Select whether still photos or video clips are taken.
<b>Photo Quality</b>	32MP 24MP 16MP 8MP <b>4MP</b>	Select desired resolution for still photos. Higher resolution produces better quality photos, but creates larger files that take more of the SD card capacity. Larger files require longer time to write to the SD card, which will slightly slow the shutter speed.

<b>Photo Burst</b>	<b>01, 02, 03, 04, 05</b>	Select the number of photos taken in sequence per trigger.
<b>Video Quality</b>	1296P <b>1080P</b> 720P	Select video resolution (pixels per frame). Higher resolution produces better quality videos, but creates larger files that take more of the SD card capacity.
<b>Video Length</b>	<b>10 seconds,</b> Optional from 3s to 5m	Select video recording length. <i>Note: It is highly recommended to set the night video length to less than 30 seconds as the IR LEDs will consume more battery power.</i>
<b>Video Format</b>	<b>MP4</b> MOV	MP4 is the mainstream format in the video industry, more compatible with any player. Select MOV in case some legacy digital camera software must be working with videos in MOV format.
<b>Detection Delay</b>	<b>10 seconds,</b> optional from 0s to 60m	Select the shortest length of time that the camera will wait until it responds to any subsequent triggers from the PIR sensor after a game is first detected. During the selected interval, the camera will not take pictures/videos. This prevents the SD card from filling up with too many redundant images. 0 means capture as fast as possible. <i>Note: this option is invalid if <b>Mode</b> is set as "Time Lapse".</i>
<b>PIR Sensitivity</b>	<b>High</b> Medium Low	Select the sensitivity of the PIR sensor. Temperature affects the sensitivity. The High setting is suitable when the ambient temperature is warm or you want to capture distant object or capture more, and

		<p>the Medium/Low setting is helpful in cold weather.</p> <p><i>Note: this option is invalid if <b>Mode</b> is set as "Time Lapse".</i></p>
<b>Side Motion Sensors</b>	<b>On Off</b>	<p>Selecting <b>On</b> will activate the side motion sensors. It brings faster trigger speeds and helps capture fast moving animals. When any of the two side motion sensors detects a motion event, the camera will be pre-activated. While the animal enters the detection area of the center motion sensor, the camera will start taking photos or videos. Select <b>Off</b> to save batteries power.</p>
<b>Motion Test</b>		<p>This feature helps you aim the camera at your target area. Please refer to the details in Section 9.2.</p>
<b>Timelapse Interval</b>	<b>First Shot Time:</b> hh:mm	<p>Set the earliest shot time after Time Lapse or Hybrid mode is enabled. If you would like to get photos earlier, it is recommended to set it later than the current time.</p>
	<b>Interval:</b> optional from 3s to 24h	<p>Set time lapse interval. It takes effect ONLY when <b>Mode</b> is set as Time Lapse or Hybrid, the camera will automatically take photos/videos according to the set interval, regardless of whether the PIR sensor has detected any game. This is helpful when observing cold-blooded animals like snakes, or the process of flowering, etc.</p> <p><i>Note: This option is invalid if <b>Mode</b> is set as "Motion Detection".</i></p>

<b>Date / Time</b>	M/D/Y hh:mm	M – Month, D – Day, Y – Year hh – Hour, mm – Minute <i>Note: Use "LEFT/RIGHT" key to switch settings, use "UP/DOWN" to set current date and time.</i> <i>Date input format may change. Please refer to "Date Format" parameter settings accordingly.</i>
<b>Date Format</b>	D/M/Y M/D/Y Y/M/D	Select date format which will be shown on the screen and each capture.
<b>Time Format</b>	<b>12h</b> 24h	Select time format which will be shown on the screen and each capture. 12h - AM/PM
<b>Camera Name</b>	<b>On</b> <b>Off</b>	Select <b>On</b> to assign a 4-character long in the form of Capital A-Z, 0-9 to record the location in the photos (e.g., A123 for Yellow Stone Park). This helps multi-camera users identify the location when reviewing the photos.
<b>Info Strip</b>	<b>On</b> <b>Off</b>	Select <b>On</b> to show date, time, temperature, moon phase on each capture.
<b>Loop Recording</b>	<b>On</b> <b>Off</b>	Selecting <b>On</b> option will cause the oldest files to be overwritten with new captures when the SD card reaches its capacity. With <b>Off</b> option selected, the camera will stop capturing images once the SD card reaches capacity.
<b>Operation Hours</b>	<b>On</b> <b>Off</b>	Select <b>On</b> if you only want the camera to work within a specified time period every day. For instance, if the starting time is set at 18:35 and the ending time at 8:25, the

		camera will function from 18:35 the current day to 8:25 the next day. Outside the time period the camera will not be triggered or take photos/videos.
<b>Password</b>	<b>On</b> <b>Off</b>	Set up a 4-digit password to protect your camera from unauthorized users. If the code is lost, you can contact customer support to reset the password.
<b>Format SD Card</b>	Yes No	All files will be deleted after formatting the SD card. We highly recommend you to format the SD card if it has been used previously in other devices. <b>Caution: make sure wanted files on the SD card have been backed up first!</b>
<b>Factory Reset</b>	Yes No	Selecting <b>Yes</b> will return all your previous settings back to the manufacturer default.
<b>Version</b>	Defined	Display the version of the camera.

## 9. MOUNTING AND POSITIONING THE CAMERA

### 9.1. MOUNTING

After you've set up the camera's parameters to your personal preferences at home, you're ready to take it outside and slide the power switch to "ON". When setting up the camera for scouting game or other outdoor applications, you must be sure to mount it in place correctly and securely. We recommend mounting the camera on a sturdy tree with a diameter of about 6 in. (15cm). To get the optimal picture quality, the tree should be about 16-17ft. (5 meters) away from the place to be monitored, with the camera placed at a height of 2.5-3.5ft. (0.75-1m). Also, keep in mind that you will get the best results at night when the

subject is within the ideal flash range, no farther than 65' (20m) and no closer than 10' (3m) from the camera.

There are two ways to mount the camera: using the provided adjustable web belt, or the tripod socket.

**Using the adjustable strap:** Use the strap on the camera as illustrated. Push one end of the strap through the two brackets on the back of the camera. Thread the end of the strap through the buckle. Fasten the strap securely around the tree trunk by pulling the end of the strap firmly so there is no slack left (*Figure 8*). *Note: it is not possible to use a cable lock (in the upper part of the bracket) and the strap at the same time.*

**Using the tripod socket:** The camera is equipped with a socket at the bottom end to enable mounting on a tripod or other mounting accessories with a standard *UNC 1/4-20* thread screw (*not included*).



*Figure 8: Mounting the Camera*

## ***9.2. SENSING ANGLE AND DISTANCE TEST***

To test whether the camera can effectively monitor the area you choose, this test is recommended to check the sensing angle and monitoring distance of the camera. To perform the test:

- Switch the camera to the **SET** mode.
- Select "Motion Test" in the Menu. The camera will countdown a max 60-second delay and will be ready to capture motions. (*Note: The delay time may be less than 60 seconds, depending on the actual time of the motion sensor to be activated. The delay time is 60 seconds minus the power-on time.*)
- Close the camera door.
- Make movements in front of the camera at several positions within the area where you expect the game or subjects to be. Try different distances and angles from the camera.
- When the white motion indicator LED flashes in **RED**, it indicates that the camera is able to sense the position. However, if the LED doesn't blink, it means that the position lies beyond the sensing range. (*Note: The red light will blink only when the motion is within the sensing area of the central PIR sensor. The central sensor's sensing angle of view is 60°. Each of the side sensors has a 30° angle of view, which is only used to pre-activate the camera and accelerate the triggering speed, there is no RED indicator blinking whatever each of the side sensors detects motions.*)
- In these sensing test, the camera would take pictures once motion captured. When you open the camera, the screen shows the number of times triggered, you can review the pictures on the screen.

The results of your testing will help you find the best placement when mounting and aiming the camera. The height away from the ground for placing the device should vary with the animal size appropriately. In general, 3 to 6 feet is preferred.

You can avoid potential false triggers due to temperature and motion disturbances in front of the camera by not aiming it at a heat source or nearby tree branches or bush (especially on



windy days).

Do NOT install the camera behind the glass window as that is not possible to sense any motion. Avoid setting the camera towards glass objects.

### **9.3. SWITCHING ON THE CAMERA**

The camera supports three working modes, "Motion Detection", "Time Lapse" and "Hybrid".

(1) If you set the camera working mode as "Motion detection" in the menu, once you switch to the **ON** mode, the camera will countdown 30-second delay, and then will be ready to go into standby (surveillance) and capture. Any motion detected by it will trigger the capture of images as programmed in the menu. Be sure you have read the descriptions of the Detection Delay and PIR Sensitivity parameters.

(2) If you set the camera working mode as "Time Lapse" in the menu, once you switch to the **ON** mode, the camera will be ready to go into "Time Lapse" mode, then take images periodically according to your preset "Timelapse Interval" parameter, regardless of the settings "Detection Delay".

(3) If you set the camera's working mode as "Hybrid" in the menu, the camera will work according to the above two modes.

Before leaving the camera unattended, please check for the following:

- Are the batteries inserted with correct polarity and is their power level sufficient?
- Does the SD card have sufficient available space?
- Is the power switch in the **ON** position?

## 10. REVIEW PHOTOS OR VIDEOS

After you have setup, mounted and activated your CAMERA, you will of course be eager to return later and review the images it has captured for you. The camera stores photos and videos in the folder \DCIM\100MEDIA in the SD card. Photos are saved with file names like DSCF0001.JPG and videos like DSCF0001.MP4. The MP4 video files can be played back on most popular media players, such as Windows Media Player, QuickTime, VLC etc.

There are several ways this can be done.

You can directly review the photos or videos on the camera screen.

Or in the **SET** mode only, you can use the provided USB cable to download the files to a computer.

Or you can put the SD card to an SD card "reader" (*not included*), plug in a computer, and browse the files on the computer without downloading.

## 11. TECHNICAL SPECIFICATIONS

Element	Description
<b>Working Mode</b>	Motion detection, Time lapse and Hybrid
<b>Max. Pixel Size</b>	32MP
<b>Lens</b>	f/1.6, FOV=63°, Auto IR-Cut
<b>IR Flash</b>	90ft. (27m)
<b>LCD Screen</b>	2.4" Color screen
<b>Keypad</b>	6 Keys, 1 Power switch
<b>Memory</b>	SD, SDHC or SDXC standard-size memory card (Not included), maximum capacity

	512GB
<b>Picture Resolution</b>	32MP, 24MP, 16MP, 8MP, 4MP
<b>Video Resolution</b>	2304 x 1296P@20fps, 1920 x 1080P@30fps, 1280 x 720P@30fps
<b>PIR Sensitivity</b>	High/Normal/Low
<b>PIR Sensing Distance</b>	90ft. (27m) (Below 77°F/25°C)
<b>PIR Sensing Angle</b>	Total 120° (while side motion sensors enabled) Central zone: 60°, Left side: 30°, Right side: 30°
<b>Trigger Time</b>	Approx. 0.1~0.5 seconds (0.1s while side motion sensors enabled)
<b>Trigger Interval</b>	0sec.-60min, Programmable
<b>Shooting Numbers</b>	1~5
<b>Video Length</b>	3sec ~ 5min., Programmable
<b>Info Strip</b>	On /Off
<b>Operation Hours</b>	On /Off, (User specified)
<b>Password</b>	4-Digit Code
<b>Camera Name</b>	4-Character (A-Z, 0-9)
<b>Time Lapse</b>	3 Sec. ~ 24 Hours
<b>Power Supply</b>	8x1.5V AA Batteries (Not included)
<b>Stand-by Time</b>	8 Months in Stand-by
<b>Auto Stand-by</b>	Auto Stand-by (Surveillance mode) in 5 minutes while no operation in SET mode

<b>Low Battery Alarm</b>	8V - Low Battery (Batteries die) 9V - Night vision is unavailable in low voltage (Almost die)
<b>Interface</b>	Mini-USB, Standard-size SD card holder, External Power (DC 12V/1A, Plug 4.0x1.7mm)
<b>Mounting</b>	Strap, Tripod Base (1/4-20)
<b>Waterproof</b>	IP66
<b>Operation Temperature</b>	-4~140°F/-20~60°C
<b>Operation Humidity</b>	5% ~ 95%
<b>Certificate</b>	FCC & CE & RoHS
<b>Product Dimensions</b>	6.1 x 4.4 x 3.0 inches

## 12. TROUBLESHOOTING

If your camera does not seem to be functioning properly or if you are having photo/video quality issues, please run these simple and quick checks:

- Make sure the camera is powered on and in the correct mode
- Format the SD card in the camera or replace the SD card, since the SD card is a storage media and sometimes it might be unstable
- Replace batteries if night vision seems not to be working as expected
- The dark background of night images is usually caused by strong reflections from the obstacles close to the camera. To get the best night image, please remove

close-up obstacles (such as walls or tree trunks) in front of the camera as possible, or adjust the installation position of your camera to avoid these obstacles (*Figure 9*)



*Figure 9: Avoid close-up obstacles in front of the camera*

If your unit is still having trouble, please contact us, providing us with your order number, or **check the website to determine that you are using the latest firmware.** Please be assured we will make the things right for you.

## 1. INHALT DER BOX

1 x Wildkamera, 1 x Befestigungsgurt,  
1 x Benutzerhandbuch, 1 x Mini USB-Kabel

*Hinweis: Speicherkarte und Batterien sind nicht enthalten (vom Benutzer bereitgestellt).*

## 2. WICHTIGE ANMERKUNG

Es sind acht (8) 1,5 V AA Alkaline- oder Lithium-Batterien erforderlich. Energizer AA Lithium-Batterien sind für diese Kamera empfohlen, um eine maximale Laufzeit zu erreichen.

Verwenden Sie keine alten und neuen Batterien zusammen.  
Verwenden Sie keine unterschiedlichen Batterietypen.

Wiederaufladbare NiMH-AA-Batterien können verwendet werden, aber die niedrigere Spannung (im Allgemeinen 1,2 V), die sie erzeugen, hat eine kurze Lebensdauer, Sie müssen sie möglicherweise häufig ersetzen.

Entfernen Sie die Batterien, wenn die Kamera NICHT in Gebrauch ist.

Zum Betrieb ist eine SD-Speicherkarte mit Standardgröße erforderlich (max. Kapazität 512GB, Klasse10). Für ein optimales Preis-Leistungs-Verhältnis empfehlen wir SanDisk 32GB SDHC Klasse10 Speicherkarten.

**Vor der ersten Verwendung formatieren Sie bitte Ihre SD-Karte in der Kamera mit "Format" in den Menüeinstellungen.**

### **3. EINFÜHRUNG**

#### **3.1. ÜBER DIE KAMERA**

Es handelt sich bei der A262 Wildkamera um eine neue Generation von digitalen Überwachungskameras. Die Kamera kann durch jede Bewegung von Wild an einem Standort ausgelöst werden, die von einem hochempfindlichen Passiv-Infrarot-Bewegungssensor (PIR) erkannt wird. Im Anschluss werden qualitativ hochwertige Bilder (bis zu 32MP Standfotos), 1296P 20fps oder 1080P 30fps Videoaufnahmen.

Die Kamera verfügt über eine brandneue innovative und hochauflösende Bildtechnologie. Die Kamera beinhaltet völlig neue Software-Innovationen, intelligente Beleuchtungstechnologie, Technologie zur Unschärfereduzierung, automatische Rauschunterdrückung und dynamische Belichtungstechnologie zur Bereitstellung von hochauflösender Bildqualität, sowie Multizonen-Erkennung und Voraktivierungstechnologie; sie verfügt auch über Schnellstart, um eine schnelle Auslösegeschwindigkeit von 0,1 Sekunden und Wiederaufnahmezeit von 0,5 Sekunden zu ermöglichen. Die Kamera hat einen sehr geringen Stromverbrauch (weniger als 0,1 mA) im Standby (Überwachungsmodus). Wenn das Gerät mit acht AA 1,5V-Batterien betrieben wird, kann die Kamera 8 Monate lang im Standby-Modus betrieben werden.

#### **3.2. HAUPTMERKMALE**

- Hochwertige Bilder (Standbilder mit bis zu 32 MP) oder Full-HD-H.264-Videoclips. Die Kamera ist mit einem fortschrittlichen CMOS-Sensor, einem erstklassigen f/1,6-Objektiv mit großer Blende und einem exklusiven Bildoptimierungsalgorithmus ausgestattet. Es kann auch bei schlechten Lichtverhältnissen oder in dunkler Umgebung

- klare Fotos oder Videos aufnehmen.
- Deutliche Nachtsicht, Blitzreichweite 30m. Die Kamera ist mit 36 Stück unsichtbaren Infrarot LEDs (940nm) ausgestattet, die als Blitzlicht fungieren (unsichtbar für menschliche und tierische Augen).
  - Leicht zu bedienen/programmieren mit gut gestalteten Bedientasten und eingebautem 2,4-Zoll-LCD-Farbbildschirm, auf dem Sie die Bilder und Videos leicht ansehen können.
  - 3 Arbeitsmodi - Bewegungserkennung, Zeitraffer und Hybrid.
  - Eine beeindruckende Auslösereaktionszeit von ca. 0,1 - 0,5 Sekunden (voraktivierte Technologie mit 3 PIR-Sensoren entwickelt), kurze Wiederaufnahmezeit von weniger als 0,5 Sekunden, lange Auslösedistanz bis zu 27m.
  - Infostreifen auf jeder Aufnahme: Datum, Uhrzeit, Temperatur und Mondphase.
  - Betriebsstunden, Schleifenaufzeichnung, Zeitraffer, Passwortgeschützt.
  - Geeignet für alle Wetterbedingungen - IP66 wasserdicht für den Außeneinsatz und resistent gegen Regen und Schnee. Betriebstemperatur -20 ~ 60°C.
  - Unterstützt SD/SDHC/SDXC Karte, maximale Kapazität 512GB (*nicht im Lieferumfang enthalten*).
  - Extrem lange Batterielebensdauer bis zu 8 Monate im Standby-Modus mit 8 AA 1,5V-Batterien (*nicht im Lieferumfang enthalten*).

#### **4. KOMPONENTEN UND KONTROLLEN**

In der Vorderansicht ist die Kamera mit 36 Stück eingebauten hocheffizienten Infrarot-LEDs, LED-Anzeigen, Optische Linse, PIR-Sensoren und Sicherungslöchern ausgestattet (*Abb. 1*).

**TIPP:** Während des Gebrauchs kann die schwarze PIR-Linse verschmutzt sein oder Kratzer aufweisen, was jedoch aufgrund des



zuverlässigen Designs keinen Einfluss auf die Leistung hat. Wenn Sie sie reinigen müssen, versuchen Sie bitte, sie abzustupfen oder den Schmutz ganz leicht abzutupfen. Bitte versuchen Sie nicht, sie abzuwischen, was zu weiteren Kratzern führen kann.

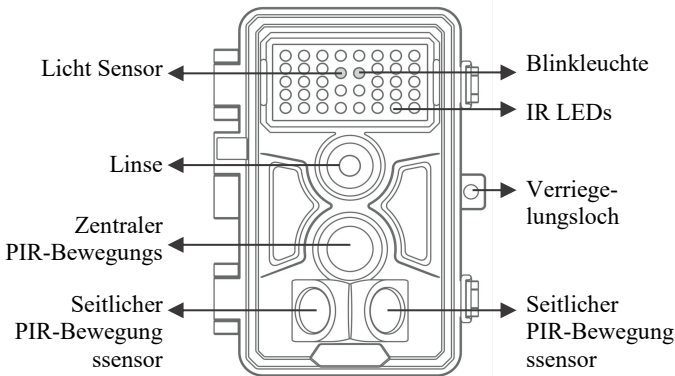


Abb. 1: Vorderansicht

An der Kamera befinden sich folgende Anschlüsse für externe Geräte: Mikro-USB-Buchse und SD-Kartens Schacht usw. (Abb. 2).

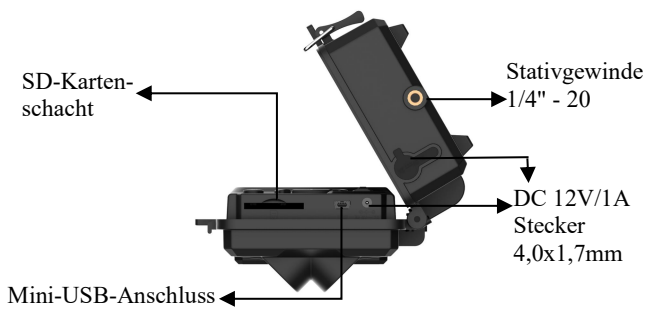


Abb. 2: Ansicht von unten

Zur Befestigung der Kamera befinden sich auf der Rückseite zwei Gurtlöcher. Führen Sie den Gurt durch die Gurtlöcher und ziehen Sie das Ende des Gurtes fest, um die Kamera sicher um den Baumstamm zu befestigen. (Abb.3).

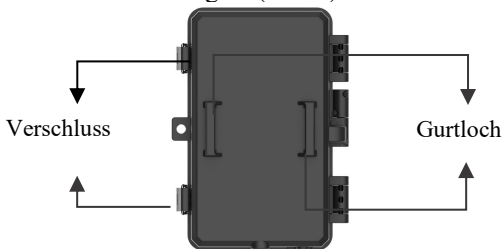


Abb. 3: Rückansicht

Der integrierte 2,4-Zoll-LCD-Bildschirm der Kamera kann zum Betrachten von Bildern oder Videos und zur Anzeige des Menüs dienen. Das einzigartige Tastaturdesign ermöglicht eine einfache Programmierung und Bedienung. 8 AA-Batterien werden unterstützt (Abb. 4).



Abb. 4: Innenansicht



Abb. 5: Bedienungstasten und Tastaturkürzel

Ein 3-facher Schalter dient zur Auswahl der Hauptbetriebsarten: **OFF, ON, und SET.** (Abb.5).

Die Steuerschnittstelle mit sechs Tasten wird hauptsächlich im **SET-Modus** verwendet, um Betriebsfunktionen und Parameter auszuwählen. Wie in Abbildung.5 dargestellt, können die Tasten neben ihrer Hauptfunktion auch eine zweite Funktion (Tastaturkürzel im SET-Modus) ausführen.

## 5. BATTERIEN UND SD-KARTE EINLEGEN

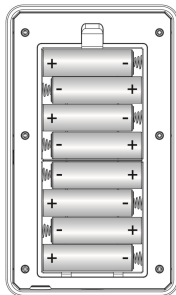
Bevor Sie mit der Bedienung Ihrer Kamera beginnen, müssen Sie zunächst einen Satz Batterien einsetzen und eine SD-Karte einlegen. Es gibt einige wichtige Hinweise zu Batterien und SD-Karten, die Sie beachten sollten. **Lesen Sie sich daher bitte die folgenden Hinweise und Vorsichtsmaßnahmen durch:**

### 5.1. BATTERIEN EINLEGEN

Beim Öffnen des Deckels vom Batteriefach werden Sie acht Batteriefächer finden (Abb.6). Für den Betrieb der Kamera müssen alle acht Batterien eingelegt sein. Achten Sie darauf, dass jede Batterie mit der richtigen Polarität eingelegt wird (negatives oder "flaches" Ende gegen die lange Feder des jeweiligen Batterieschachts).

Im **SET-Modus** wird bei niedrigem Batteriestand die Meldung

"**Niedriger Batteriestand**" auf dem Bildschirm angezeigt, bitte tauschen Sie die Batterien aus. Wenn die Batterieanzeige ROT leuchtet, bedeutet dies, dass die Batterien nicht in der Lage sind, die IR-LEDs nachts blinken zu lassen, aber die Batterien funktionieren tagsüber noch, bis "**Niedriger Batteriestand**" angezeigt wird. Wenn Sie die Nachtsicht weiterhin nutzen möchten, tauschen Sie bitte die Batterien aus.



*Abb. 6: Installieren der Batterien*

## **5.2. SD-KARTE EINSTECKEN**

Legen Sie die SD-Karte ein (mit dem Netzschalter der Kamera in der Position **OFF**), bevor Sie die Kamera bedienen. Die SD-Karte darf nicht eingesetzt oder entfernt werden, wenn sich der Schalter in der Position **ON** oder **SET** befindet. Die Kamera verwendet eine normale Speicherkarte zum Speichern von Fotos (im JPG-Format) und / oder Videos (im MP4-Format). SD- und SDHC-Karten (High Capacity) / SDXC-Karten mit einer maximalen Kapazität von 512 GB werden unterstützt (*Abb. 7*).



Abb. 7: Einstecken der SD-Karte

Im Folgenden wird beschrieben, wie die SD-Karte eingesetzt und entfernt wird:

- Stecken Sie die SD-Karte mit der Etikettenseite nach oben in den Kartenschacht. Mit einem "Klick"-Geräusch wird angezeigt, dass die Karte erfolgreich installiert wurde. Wenn die falsche Seite der Karte nach oben zeigt, können Sie sie nicht ohne Gewalt einführen. Es gibt nur eine korrekte Weise, Karten einzulegen. Wenn die SD-Karte nicht korrekt installiert ist, zeigt das Gerät im **SET**-Modus kein SD-Kartensymbol auf dem Bildschirm an. Es wird empfohlen, **die SD-Karte** über die Menüoption "**Format**" der Kamera **zu formatieren**, bevor Sie sie zum ersten Mal verwenden, insbesondere wenn eine Karte bereits in anderen Geräten verwendet wurde.
- Um die SD-Karte herauszunehmen, drücken Sie die Karte einfach vorsichtig hinein (versuchen Sie nicht, die Karte direkt herauszuziehen, ohne sie vorher hineinzudrücken). Die Karte ist aus dem Steckplatz freigegeben und kann entnommen werden, wenn Sie das Klicken gehört haben. Vergewissern Sie sich, dass die Kamera auf **OFF** geschaltet ist, bevor Sie SD-Karten oder Batterien einlegen oder entfernen.

## 6. VERWENDUNG DER KAMERA

Wenn Ihre Kamera durch das ordnungsgemäße Einlegen von Batterien und einer SD-Karte vorbereitet ist, können Sie einfach die Kamera mitnehmen und sie an einen Baum schnallen (oder auch nicht, je nach Anwendungsszenario). Schalten Sie die Kamera auf **ON** und großartige Aufnahmen durchführen lassen. Wir empfehlen Ihnen jedoch dringend, sich zunächst mit der Kamera und dieser Bedienungsanleitung zuhause vertraut zu machen, bis Sie die Funktionen des 3-fach-Schalters und die Steuertasten kennen. Außerdem möchten Sie wahrscheinlich auch das Datum und die Uhrzeit so einstellen, dass die Kamera sie auf die Fotos aufdruckt (oder auch nicht, das bleibt Ihnen überlassen), oder vielleicht lernen, die Kamera so einzustellen, dass sie Videoclips aufnimmt, anstatt Standfotos zu machen und einige Tipps zur Befestigung der Kamera an einem Baum lesen.

## 7. OFF-, ON- UND SET-MODUS

Die Kamera hat drei wesentliche Betriebsmodi:

- **OFF-Modus:** Schalter in der Position **OFF**.
- **ON-Modus:** Schalter in der Position **ON**.
- **SET-Modus:** Schalter in der Position **SET** (Bildschirm ist eingeschaltet).

### 7.1. OFF-MODUS

Der **OFF-Modus** ist der "sichere" Modus, wenn irgendwelche Aktionen durchgeführt werden müssen, beispielsweise das Wechseln der SD-Karte oder der Batterien oder das Transportieren des Geräts. Und wenn Sie die Kamera lagern oder nicht benutzen, schalten Sie sie auf **OFF**. Dabei ist zu beachten, dass die Kamera im **OFF-Modus** noch ein wenig Strom verbraucht. Es ist besser, die Batterien aus dem Batteriefach zu nehmen, wenn die Kamera für längere Zeit nicht benutzt wird.

## 7.2. **ON-MODUS**

Sie können die Kamera jederzeit einschalten, nachdem Sie die Batterien und die SD-Karte eingelegt haben. Wird der Schalter in die mittlere Position gebracht, wechselt die Kamera in den Modus **ON** (Überwachung). Wenn der Modus auf "Bewegungserkennung" eingestellt ist, startet die Kamera einen 30-sekündigen Zeitraffer-Countdown und ist dann bereit für die Aufnahme von Bildern. Wenn der Modus auf "Zeitraffer" eingestellt ist, gibt es keinen 30-Sekunden-Countdown und die Kamera ist bereit, in den Zeitraffer-Modus zu wechseln.

Im **ON**-Modus ist keine manuelle Bedienung mehr nötig oder möglich (die Bedientasten haben keine Wirkung). Die Kamera nimmt automatisch Fotos oder Videos auf (entsprechend ihrer aktuellen Parametereinstellungen).

Sie können den Schalter entweder direkt vom **OFF**- in den **ON**-Modus schalten oder zuerst in der **SET**-Position anhalten, um Einstellungen zu ändern, und den Schalter dann nach der Einstellung auf **ON** schalten.

## 7.3. **SET-MODUS**

Im **SET**-Modus können Sie die Einstellungen der Kamera mit Hilfe des eingebauten Bildschirms überprüfen und ändern. Diese Einstellungen, die Sie durch Drücken der **MENU**-Taste im Menü finden, ermöglichen Ihnen die Änderung der Foto- oder Videoauflösung, des Intervalls zwischen den Fotos, das Einschalten des Zeitstempels usw. (*Mehr darüber finden Sie in Abschnitt 8 ERWEITERTE EINSTELLUNGEN*).

Wenn Sie den Schalter auf die Position **SET** stellen, Auf dem eingeschalteten Bildschirm zeigt ein Informations-Display die Anzahl der aufgenommenen Bilder, den Batteriestand, den Kamera- oder Videomodus, usw.

*Bitte beachten Sie: Im **SET**-Modus geht die Kamera automatisch in den **ON**-Modus, wenn innerhalb von 5 Minuten keine Bedienung (Tastendruck) erfolgt. Dann wird die Kamera entsprechend Ihren Einstellungen im Menü arbeiten.*

Im **SET**-Modus können Sie die Kamera an den USB-Anschluss eines Computers anschließen, um Ihre Bilder herunterzuladen.

### **Tastenkürzel/Funktionen**

Wie oben unter "Komponenten und Kontrollen" erwähnt, haben die Tastenfelder sekundäre "Tastenkürzel"-Funktionen, wenn die Kamera in den **SET**-Modus geschaltet ist:

- Drücken Sie die **Aufwärtstaste**, damit die Kamera schnell auf die Aufnahme von Videoclips eingestellt wird.
- Drücken Sie die **Abwärtstaste**, damit die Kamera schnell auf die Aufnahme von Standfotos eingestellt wird.
- Drücken Sie die **RECHTS**-Taste, um den Auslöser manuell auszulösen. Dies ist nützlich zum Testen der Kamera. Der Zähler "Anzahl der aufgenommenen Bilder" oben rechts im Bildschirm wird um eins erhöht.
- Drücken Sie die **OK**-Taste, um die Wiedergabe zu starten. Drücken Sie dann die **Aufwärts-** oder **Abwärtstaste**, um im Verlauf des Fotos oder Videos zu navigieren. Drücken Sie abschließend die **OK**-Taste zum Beenden.

## **8. ERWEITERTE EINSTELLUNGEN**

Die Wildkamera wird mit vom Hersteller voreingestellten Einstellungen geliefert. Diese Einstellungen können Sie nach Ihren Wünschen ändern. Bitte stellen Sie sicher, dass sich die Kamera im **SET**-Modus befindet. Drücken Sie bei eingeschaltetem Bildschirm die **MENU**-Taste, um das Menü aufzurufen/zu verlassen. Drücken Sie die **Aufwärts-/Abwärts**-Taste, um die Markierung zu verschieben,



drücken Sie die **LINKS-/RECHTS**-Taste, um die Einstellung zu ändern, und drücken Sie die **OK**-Taste, um die Änderung zu bestätigen. Vergessen Sie nicht, die **OK**-Taste zu drücken, um die Änderung zu speichern. Andernfalls wird Ihre neue Einstellung nicht gespeichert.

<b>Parameter</b>	<b>Einstellungen (Fettdruck = Default-Wert)</b>	<b>Beschreibung</b>
<b>Modus</b>	Bewegungs-erkennung, Zeitraffer, Hybrid	Im Modus " <b>Bewegungserkennung</b> " nimmt die Kamera Fotos oder Videos auf, sobald sie ausgelöst wird. Im Modus " <b>Zeitraffer</b> " nimmt die Kamera in regelmäßigen Abständen Fotos oder Videos auf, je nach von Ihnen vorgenommenen Einstellungen des "Zeitrafferintervalls". Der " <b>Hybrid</b> " modus umfasst beide oben genannten.
<b>Foto oder Video</b>	<b>Foto</b> Video Foto+Video	Auswahl zwischen Standfotos und Videoaufnahmen.
<b>Foto-Auflösung</b>	32MP 24MP 16MP 8MP 4MP	Wählen Sie die gewünschte Auflösung für Fotos. Eine höhere Auflösung führt zu einer besseren Qualität der Fotos, erzeugt aber auch größere Dateien, die mehr Speicherplatz auf der SD-Karte beanspruchen. Größere Dateien benötigen eine längere Zeit, um auf die SD-Karte geschrieben zu werden, wodurch sich die Verschlusszeit etwas verlangsamt.
<b>Burst-Modus</b>	<b>01</b> , 02, 03, 04, 05	Wählen Sie im Kameramodus die Anzahl der aufeinanderfolgenden Fotos, die bei

		jedem Auslösen aufgenommen werden.
<b>Video Auflösung</b>	1296P <b>1080P</b> 720P	Wählen Sie die Videoauflösung (Pixel pro Frame). Eine höhere Auflösung erzeugt Videos in besserer Qualität, erzeugt aber größere Dateien, die mehr Platz auf der SD-Karte einnehmen.
<b>Video Länge</b>	<b>10 Sekunden,</b> Optional von 3 Sek. bis 5 Min.	Wählen Sie die Länge der Videoaufnahme. <i>Hinweis: Es wird dringend empfohlen, die Nacht Videolänge auf weniger als 30 Sekunden einzustellen, da die IR-LEDs mehr Batteriestrom verbrauchen.</i>
<b>Video Format</b>	<b>MP4</b> MOV	MP4 ist das am häufigsten verwendeten Format im Videobereich und mit allen gängigen Playern kompatibel. Wählen Sie MOV, falls Sie eine Digitalkamerasoftware mit Videos im MOV-Format verwenden.
<b>PIR Intervall</b>	<b>10 Sekunden,</b> optional von 0 Sek. bis 60 Min.	Wählen Sie die kürzeste Zeitspanne aus, während der die Kamera nach der ersten Erkennung eines Wildes wartet, bis sie auf weitere Auslöser des PIR-Sensors reagiert. Während des gewählten Intervalls nimmt die Kamera keine Fotos/Videos auf. Dadurch wird verhindert, dass sich die SD-Karte mit zu vielen überflüssigen Fotos füllt. 0 bedeutet so schnell wie möglich erfassen. <i>Hinweis: Diese Option ist ungültig, wenn der <b>Modus</b> auf "Zeitraffer" eingestellt ist.</i>
<b>PIR-Empfindlichkeit</b>	<b>Hoch</b> Mittel Niedrig	Wählen Sie die Empfindlichkeit des PIR-Sensors. Die Temperatur beeinflusst

		<p>die Empfindlichkeit. Die Einstellung "Hoch" ist geeignet, wenn die Umgebungstemperatur warm ist oder Sie ein entferntes Objekt erfassen oder mehr aufnehmen möchten, und die Einstellung "Mittel/Niedrig" ist hilfreich bei kaltem Wetter.</p> <p><i>Hinweis: Diese Option ist ungültig, wenn der <b>Modus</b> auf "Zeitraffer" eingestellt ist.</i></p>
<b>Seitliche Bewegungsmelder</b>	Ein <b>Aus</b>	<p>Dies führt zu einer schnelleren Auslöserreaktionszeit und hilft bei Aufnahmen von sich schnell bewegenden Tieren. Wenn einer der beiden seitlichen Bewegungssensoren eine Bewegung erkennt, wird die Kamera voraktiviert. Wenn das Tier innerhalb den Überwachungsbereich des mittleren Bewegungssensors betritt, beginnt die Kamera mit der Aufnahme von Fotos oder Videos, andernfalls wechselt die Kamera wieder in den Standby-Modus.</p>
<b>Bewegungstest</b>		<p>Diese Funktion hilft Ihnen, die Kamera auf Ihren Zielbereich auszurichten. Lesen Sie bitte die Details in Abschnitt 9.2.</p>
<b>Zeitrafferintervall</b>	<b>Erste Drehzeit:</b> hh:mm	<p>Legen Sie die früheste Aufnahmezeit fest, nachdem der Zeitraffer- oder Hybrid <b>modus</b> aktiviert wurde. Wenn Sie früher Fotos aufnehmen möchten, empfiehlt es sich, einen späteren Zeitpunkt als die aktuelle Zeit einzustellen.</p>
	<b>Intervall:</b> Optional von 3 Sekunden bis 24	<p>Stellen Sie das Zeitrafferintervall ein. Es wird NUR wirksam, wenn der <b>Modus</b> auf Zeitraffer oder Hybrid eingestellt ist. Die Kamera nimmt automatisch</p>

	Stunden.	Fotos/Videos gemäß dem eingestellten Intervall auf, unabhängig davon, ob der PIR-Sensor ein Wild erkannt hat. Dies ist hilfreich, wenn Sie wechselwarme Tiere wie Schlangen oder den Prozess der Blüte usw. beobachten. <i>Hinweis: Diese Option ist ungültig, wenn der <b>Modus</b> auf "Bewegungserkennung" eingestellt ist.</i>
<b>Datum und Uhrzeit</b>	M/T/J hh:mm	M – Monat, T – Tage, J – Jahre, hh– Stunde, mm – Minute <i>Hinweis: Mit den Tasten "<b>LINKS/RECHTS</b>" können Sie die Parameter umschalten, mit "<b>AUF/AB</b>" stellen Sie das aktuelle Datum und die Uhrzeit ein. Das Format der Datumseingabe kann geändert werden. Lesen Sie bitte die entsprechenden Einstellungen unter "<b>Datumsformat</b>".</i>
<b>Datumsformat</b>	T/M/J M/T/J J/M/T	Wählen Sie das Datumsformat, es wird auf dem Bildschirm und bei jeder Aufnahme angezeigt.
<b>Zeitformat</b>	<b>12 Std.</b> 24 Std.	Wählen Sie das Zeitformat, es wird auf dem Bildschirm und bei jeder Aufnahme angezeigt. 12 Std. = AM/PM
<b>Kamera-name</b>	Ein <b>Aus</b>	Wenn Sie <b>EIN</b> wählen, wird ein 4 Zeichen langer Name in Form von Großbuchstaben A-Z mit den Ziffern 0-9 zugewiesen, um den Ort in den Fotos festzuhalten (z. B. A123 für Yellowstone Park). Dies hilft Anwendern mit mehreren Kameras, den Ort bei der

		Durchsicht der Fotos zu identifizieren.
<b>Info Strip</b>	<b>Ein Aus</b>	Wenn Sie <b>Ein</b> wählen, werden bei jeder Aufnahme Datum, Uhrzeit, Temperatur und Mondphase angezeigt.
<b>Schleifen- Aufzeichnung</b>	<b>Ein Aus</b>	Wenn Sie die Option <b>Ein</b> wählen, werden die ältesten Dateien mit neuen Aufnahmen überschrieben, wenn die Kapazität der SD-Karte erreicht ist. Wenn Sie die Option <b>Aus</b> wählen, hört die Kamera auf, Aufnahmen zu machen, sobald die Kapazität der SD-Karte erreicht ist.
<b>Betriebs- stunden</b>	<b>Ein Aus</b>	Wenn Sie <b>Ein</b> wählen, soll die Kamera jeden Tag nur innerhalb eines bestimmten Zeitraums arbeiten. Wenn beispielsweise die Startzeit auf 18:35 Uhr und die Endzeit auf 8:25 Uhr eingestellt ist, arbeitet die Kamera von 18:35 Uhr des aktuellen Tages bis 8:25 Uhr des nächsten Tages. Außerhalb dieses Zeitraums wird die Kamera nicht ausgelöst und nimmt keine Fotos/Videos auf.
<b>Passwort</b>	<b>Ein Aus</b>	Richten Sie ein 4-stelliges Passwort ein, um Ihre Kamera vor unbefugten Benutzern zu schützen. Wenn Sie den Code vergessen haben, können Sie sich an den Kundenservice wenden, um das Passwort zurückzusetzen.
<b>Format</b>	<b>Ja Nein</b>	Alle Dateien werden nach dem Formatieren der SD-Karte gelöscht. Wir empfehlen Ihnen dringend, eine Formatierung der SD-Karte

		durchzuführen, wenn diese zuvor in anderen Geräten verwendet wurde. <b><i>Achtung! Bitte stellen Sie sicher, dass die benötigten Dateien auf der SD-Karte vorher gesichert wurden!</i></b>
<b>Werkseinstellungen</b>	Ja Nein	Wenn Sie <b>Ja</b> wählen, werden alle vorherigen Einstellungen auf die Standardeinstellungen des Herstellers zurückgesetzt.
<b>Version</b>	Definiert	Anzeige der Version der Kamera.

## 9. MONTAGE UND POSITIONIERUNG

### 9.1. MONTAGE

Nachdem Sie die Parameter der Kamera nach Ihren persönlichen Vorlieben eingestellt haben, können Sie sie nach draußen bringen und den Schalter auf "ON" schieben. Wenn Sie die Kamera für die Jagd oder andere Anwendungen im Außenbereich installieren, müssen Sie darauf achten, dass die Kamera korrekt und sicher befestigt ist. Es wird empfohlen, die Kamera an einem stabilen Baum mit einem Durchmesser von etwa 15cm zu befestigen. Um eine optimale Aufnahmequalität zu erhalten, sollte der Baum ca. 5m von dem zu überwachenden Ort entfernt sein, die empfohlene Anbringungshöhe liegt bei 0,75-1m Denken Sie auch daran, dass Sie die besten Ergebnisse bei Nacht erzielen, wenn sich das Objekt innerhalb der idealen Blitzreichweite befindet, nicht weiter als 20m und nicht näher als 3m von der Kamera entfernt.

Es gibt zwei Möglichkeiten, die Kamera zu montieren: mit dem mitgelieferten verstellbaren Gurt oder mit dem Stativgewinde.

**Mit Verwendung des verstellbaren Gurtes:** Bringen Sie den Gurt wie abgebildet an der Kamera an. Schieben Sie das eine

Ende des Riemens durch die beiden Halterungen auf der Rückseite der Kamera. Führen Sie das Ende des Gurtes durch die Schnalle. Befestigen Sie den Gurt sicher um den Baumstamm, indem Sie das Ende des Gurtes fest anziehen, so dass kein Spiel mehr vorhanden ist. (Abb.8). *Hinweis: Es ist nicht möglich, ein Kabelschloss (im oberen Teil der Halterung) und den Gurt gleichzeitig zu verwenden.*

**Mit Verwendung des Stativsockels:** Die Kamera ist an der Unterseite mit einem Gewinde ausgestattet, das die Montage auf einem Stativ oder anderem Montagezubehör mit einer standardmäßigen *UNC 1/4-20* Gewindeschraube ermöglicht. *(nicht im Lieferumfang enthalten).*



*Abb. 8: Montage der Kamera*

## **9.2. TEST VON ABTASTWINKEL UND ABSTAND**

Um festzustellen, ob die Kamera den von Ihnen gewählten Bereich effektiv überwachen kann, wird dieser Test empfohlen, um den Abtastwinkel und den Überwachungsabstand der Kamera zu überprüfen. So führen Sie den Test durch:

- Schalten Sie die Kamera in den **SET**-Modus.
- Wählen Sie im Menü "Bewegungstest". Die Kamera macht einen Countdown von maximal 60 Sekunden und ist bereit, Bewegungsaufnahmen zu machen. *(Hinweis: Die Wartezeit kann weniger als 60 Sekunden betragen, abhängig von der*

*tatsächlichen Zeit des zu aktivierenden Bewegungssensors. Die Wartezeit ist 60 Sekunden minus die Einschaltzeit.)*

- Schließen Sie die Kamera.
- Machen Sie Bewegungen vor der Kamera an mehreren verschiedenen Positionen innerhalb des Bereichs, in dem Sie das Wild oder die Bewegungen erwarten. Probieren Sie verschiedene Abstände und Winkel zur Kamera aus.
- Wenn die weiße Bewegungsanzeige-LED **ROT** blinkt, zeigt dies an, dass die Kamera die Position erkennen kann. Wenn die LED jedoch nicht blinkt, bedeutet dies, dass die Position außerhalb des Erfassungsbereichs liegt. *(Hinweis: Das rote Licht blinkt nur, wenn sich die Bewegung innerhalb des Erfassungsbereichs des zentralen PIR-Sensors befindet. Der Erfassungswinkel des zentralen Sensors beträgt 60°. Jeder der seitlichen Sensoren hat einen Erfassungswinkel von 30°, der nur zur Voraktivierung der Kamera und zur Beschleunigung der Auslösegeschwindigkeit verwendet wird. Das rote Licht blinkt nicht, egal ob Bewegungen von den seitlichen Sensoren erkannt wurden.)*
- Bei den Tests würde die Kamera Fotos aufnehmen, sobald Bewegungen aufgenommen werden. Wenn Sie die Kamera einschalten, wird die Anzahl der Auslösungen angezeigt, Sie können die Fotos auf dem Bildschirm überprüfen.

Die Ergebnisse der Tests helfen Ihnen, die beste Position bei der Montage und Ausrichtung der Kamera zu finden. Die Höhe über dem Boden, wo Sie die Ausrüstung anbringen, sollte entsprechend der Größe der Tiere variieren. Im Allgemeinen sind 90 bis 180 cm angemessen.

Richten Sie die Kamera nicht auf Wärmequellen oder nahegelegene Äste oder Büsche (besonders an windigen Tagen), um mögliche Fehlauflösungen durch Temperatur- und Bewegungsstörungen vor der Kamera zu vermeiden.

Installieren Sie die Kamera NICHT hinter Glasfenstern, da die Kamera dann keine Bewegung wahrnehmen kann. Richten Sie



die Kamera NICHT auf Glasobjekte.

### **9.3. UMSCHALTEN VON FUNKTIONEN DER KAMERA**

Die Kamera unterstützt 3 Arbeitsmodi, "Bewegungserkennung", "Zeitraffer" und "Hybrid".

(1) Wenn Sie den Betriebsmodus der Kamera im Menü auf "Bewegungserkennung" umstellen, beginnt die Kamera einen nach dem Umschalten in den **ON**-Modus einen 30-sekündigen Countdown heruntergezählt und ist dann bereit, in den Überwachungs-Modus zu gehen und Aufnahmen zu machen. Jede erkannte Bewegung löst die Kamera aus, damit je nach Einstellungen Aufnahmen durchgeführt werden. Stellen Sie sicher, dass Sie die Beschreibungen der Einstellungen "PIR Intervall" und "PIR-Empfindlichkeit" gelesen haben.

(2) Ist der Betriebsmodus der Kamera "Zeitraffer" festgelegt, Sobald Sie die Kamera in den **ON**-Modus schalten, ist die Kamera bereit, in den "Zeitraffer"-Modus zu gehen und nimmt dann periodisch und entsprechend den Einstellungen unter "Zeitraffer-Intervall" auf, unabhängig von der Einstellung "PIR Intervall".

(3) Wenn Sie den Arbeitsmodus der Kamera im Menü auf "Hybrid" einstellen, arbeitet die Kamera gemäß den beiden oben genannten Modi.

Bevor Sie die Kamera unbeaufsichtigt lassen, überprüfen Sie bitte Folgendes:

- Sind die Batterien mit richtiger Polarität eingelegt und ist ihr Ladestand ausreichend?
- Hat die SD-Karte ausreichend freien Speicherplatz?
- Ist der Schalter in der Position **ON** geschaltet?

## 10. FOTOS ODER VIDEOS ANSEHEN

Nachdem Sie Ihre Kamera eingerichtet, montiert und aktiviert haben, möchten Sie später sicher die von der Kamera aufgenommenen Bilder betrachten. Fotos und Videos werden in dem Ordner \DCIM\100MEDIA auf der SD-Karte gespeichert. Die Fotos werden unter Dateinamen wie DSCF0001.JPG und die Videos unter DSCF0001.MP4 gespeichert. Die MP4-Video-dateien können mit den meisten gängigen Media-Playern abgespielt werden, wie z. B. Windows Media Player, QuickTime, VLC usw.

Es gibt mehrere Möglichkeiten, diesen Vorgang auszuführen.

Sie können die Fotos oder Videos direkt auf dem Kamerabildschirm ansehen.

Oder Sie können nur im SET-Modus das mitgelieferte USB-Kabel verwenden, um die Dateien auf einen Computer herunterzuladen.

Oder Sie können die SD-Karte in ein SD-Karten-Lesegerät (nicht im Lieferumfang enthalten) stecken, einen Computer anschließen und die Dateien auf dem Computer durchsuchen, ohne sie herunterzuladen.

## 11. DIE TECHNISCHEN DATEN

Element	Beschreibung
<b>Betriebsmodus</b>	Bewegungserkennung, Zeitraffer und Hybrid
<b>Max. Pixel Größe</b>	32MP
<b>Linse</b>	f/1.6, FOV=63°, Auto IR-Cut
<b>IR-Blitz</b>	Reichweite bis zu 27m
<b>LCD-Bildschirm</b>	2.4" Farbbildschirm

<b>Tastenfeld</b>	6 Tasten, 1 Ein-/Ausschalter
<b>Speicherung</b>	SD-, SDHC- oder SDXC-Speicherkarte in Standardgröße (nicht im Lieferumfang enthalten), maximale Kapazität 512 GB
<b>Größe der Fotos</b>	32MP, 24MP, 16MP, 8MP, 4MP
<b>Größe der Videos</b>	2304 x 1296P@20fps, 1920 x 1080P@30fps, 1280 x 720P@30fps
<b>PIR-Empfindlichkeit</b>	Hoch/Normal/Niedrig
<b>PIR-Erkennungsabstand</b>	27m (Unter 25°C)
<b>PIR-Abtastwinkel</b>	120° insgesamt (bei aktivierten seitlichen Bewegungssensoren) Zentrale Zone: 60°, Linke Seite: 30°, Rechte Seite: 30°
<b>Auslösereaktionszeit</b>	Ca. 0,1-0,5 Sekunde (0,1s bei aktivierten seitlichen Bewegungssensoren)
<b>Auslösungsintervall</b>	0 Sek.-60 Min., programmierbar
<b>Anzahl der Aufnahmen</b>	1-5
<b>Länge des Videos</b>	3 Sek. - 5 Min., programmierbar
<b>Info Strip</b>	Ein / Aus
<b>Betriebsstunden</b>	Ein / Aus, 00: 00-23: 59 (Benutzer angegeben)
<b>Passwort</b>	4-stellige Kennzahl
<b>Name der Kamera</b>	4 Zeichen (A-Z, 0-9)
<b>Zeitraffer</b>	3 Sek. - 24 Stunden
<b>Stromversorgung</b>	8x1,5V AA-Batterien (nicht im Lieferumfang)

<b>Standby-Zeit</b>	8 Monate im Standby
<b>Auto Standby</b>	Auto Stand-by (Überwachungsmodus) nach 5 Minuten, wenn keine Bedienung im SET-Modus erfolgt
<b>Niedriger Batteriestand</b>	8V - Niedriger Batteriestand (Batterien fast leer) 9V - Nachtsicht ist bei niedrigem Batteriestand nicht verfügbar
<b>Schnittstelle</b>	Mini-USB, SD-Kartenhalter in Standardgröße, Externe Stromversorgung (DC 12V/1A, Stecker 4,0x1,7mm)
<b>Befestigung</b>	Gurt, Stativfuß (1/4-20)
<b>Wasserdicht</b>	IP66
<b>Betrieb Temperatur</b>	-20~60°C
<b>Betrieb Luftfeuchtigkeit</b>	5% - 95%
<b>Zertifikat</b>	FCC & CE & RoHS
<b>Artikelabmessungen</b>	15,5 x 11,2 x 7,6 cm

## 12. FEHLERBESEITIGUNG

Wenn Ihre Kamera nicht richtig zu funktionieren scheint oder Sie Probleme mit der Foto-/Videoqualität haben, führen Sie bitte die folgenden einfachen und schnellen Schritte durch:

- Überprüfen Sie, ob die Kamera eingeschaltet ist und sich im richtigen Modus befindet
- Formatieren Sie die SD-Karte in der Kamera oder tauschen Sie die SD-Karte aus, da die SD-Karte ein Speichermedium

ist und manchmal instabil sein kann

- Ersetzen Sie die Batterien, wenn die Nachtsicht nicht wie erwartet zu funktionieren scheint
- Der dunkle Hintergrund von Nachtbildern wird in der Regel durch starke Reflektionen von Hindernissen in der Nähe der Kamera verursacht. Um ein optimales Nachtbild zu erhalten, sollten Sie Hindernisse in unmittelbarer Nähe (z. B. Wände oder Baumstämme) vor der Kamera so weit wie möglich entfernen oder die Installationsposition der Kamera so anpassen, dass diese Hindernisse vermieden werden (*Abb. 9*)



*Abb. 9: Vermeiden Sie Hindernisse im Nahbereich vor der Kamera*

Ienn Ihr Gerät immer noch Probleme hat, kontaktieren Sie uns bitte unter Angabe Ihrer Bestellnummer oder überprüfen Sie auf unserer Website, **um sicherzustellen, dass Sie die neueste Firmware.** Wir helfen Ihnen gern und schnell weiter.

# 1. DANS LA BOÎTE

1 x Caméra, 1 x Courroie de fixation,  
1 x Manuel d'instruction, 1 x Cordon Mini USB

*Remarque : la carte mémoire et les piles ne sont pas incluses (fournies par l'utilisateur).*

## 2. REMARQUE IMPORTANTE

Requiert huit (8) piles alcalines ou au lithium de 1,5 V de type AA. Nous recommandons l'utilisation de piles Energizer AA Lithium dans cet appareil pour obtenir une durée de vie maximale.

Ne mélangez pas les anciennes et les nouvelles piles.

Ne mélangez pas les types de piles.

Des piles NiMH AA rechargeables peuvent être utilisées, mais la tension plus faible (généralement 1,2 V) qu'elles produisent a une durée de vie courte, vous devrez peut-être les remplacer fréquemment.

Retirez les piles lorsque l'appareil n'est PAS utilisé.

Requiert une carte mémoire SDHC/SDXC de taille standard (capacité maximale de 512 Go, classe 10). Nous recommandons d'utiliser les cartes mémoire SanDisk 32 Go SDHC Class 10 dans la caméra pour obtenir le meilleur rapport qualité-prix.

**Avant la première utilisation, veuillez formater votre carte SD dans l'appareil photo en utilisant "Formater carte" dans les paramètres du menu.**

## 3. INTRODUCTION

### 3.1. À PROPOS DE LA CAMÉRA

La caméra de chasse A262 est une nouvelle génération de

caméra de surveillance numérique. Elle peut être déclenchée par tout mouvement du gibier dans un lieu donné, détecté par un capteur de mouvement à infrarouge passif (*Passive Infra-Red* ou PIR) très sensible, puis prendre des photos de haute qualité (jusqu'à 32 Mp), ou des clips vidéo 1296P 20fps.

La caméra est dotée de la plus récente technologie d'imagerie, innovante et ultra claire. La caméra intègre de toutes nouvelles innovations logicielles, la technologie d'éclairage intelligent, la technologie de réduction du flou, la réduction automatique du bruit et la technologie d'exposition dynamique pour offrir une qualité d'image haute résolution, la détection multizone, la technologie de pré-activation et le démarrage rapide pour offrir une vitesse de déclenchement rapide de 0,1s et un temps de récupération de 0,5s. La caméra consomme très peu d'énergie (moins de 0,1 mA) en mode veille (surveillance). Elle peut offrir 8 mois d'autonomie en mode veille lorsqu'elle est alimentée par huit piles AA 1,5 V.

### **3.2. CARACTÉRISTIQUES PRINCIPALES**

- Images de haute qualité (jusqu'à 32 MP) ou clips vidéo Full HD H.264. L'appareil photo est équipé d'un capteur CMOS avancé, d'un objectif à grande ouverture f/1.6 haut de gamme et d'un algorithme exclusif d'optimisation de l'imagerie ; il peut prendre des photos ou des vidéos claires même dans un environnement peu éclairé ou sombre.
- Vision nocturne claire, portée du flash 27m. L'appareil photo est équipé de 36 LED infrarouges hautes performances No-Glow 940 nm qui fonctionnent comme un flash (invisible aux yeux des humains et des animaux).
- Facile à utiliser/programmer avec des boutons de commande bien conçus et un écran couleur LCD de 2,4 pouces intégré, facile pour visualiser des photos et des vidéos sur l'écran.

- 3 modes de fonctionnement - Détection de mouvement, Intervalle de temps et Hybride.
- Temps de déclenchement rapide d'env. 0,1~0,5 seconde (technologie pré-activée conçus avec 3 capteurs PIR), temps de récupération rapide inférieur à 0,5 seconde, longue distance de déclenchement jusqu'à 27 m.
- Bande d'information sur chaque capture : Date, heure, température et phase de la lune.
- Heures de fonctionnement programmables, enregistrement en boucle, par intervalles de temps, protection par mot de passe.
- Conçu pour tous les climats - IP66 étanche conçu pour une utilisation en extérieur et résistant à la pluie et à la neige. Température de fonctionnement -20 ~ 60°C.
- Prise en charge des cartes mémoire SD/SDHC/SDXC, capacité maximale de 512 Go (*non inclus dans la livraison*).
- Durée de vie de la batterie sur le terrain extrêmement longue jusqu'à 8 mois en état de veille avec 8 piles AA 1,5 V (*non inclus dans la livraison*).

## 4. PIÈCES ET CONTRÔLES

La caméra est équipée de 36 LEDs infrarouges à haute efficacité, de voyants LED, Lentille optique, de capteurs PIR et de trous de verrouillage en vue frontale (*Figure 1*).

**ASTUCE** : Pendant l'utilisation, la lentille PIR noire peut être sale ou avoir des rayures, mais cela n'affecte pas les performances en raison de la conception fiable. Si vous devez le nettoyer, essayez de le souffler ou de retirer la saleté très légèrement. Veuillez ne pas essayer de l'essuyer, ce qui pourrait causer plus de rayures.



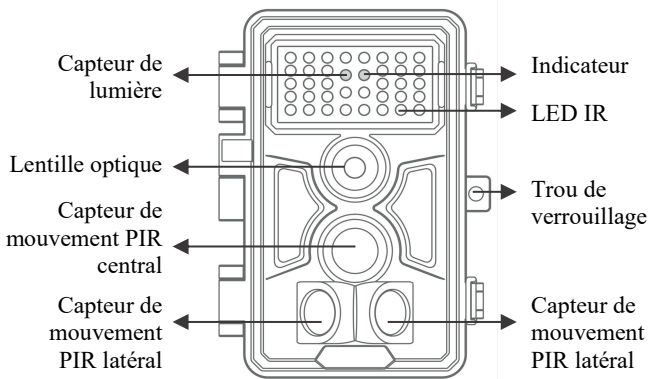


Figure 1 : Vue de face

La caméra fournit les connexions suivantes pour les périphériques externes : port mini USB et fente pour carte SD, etc. (Figure 2).

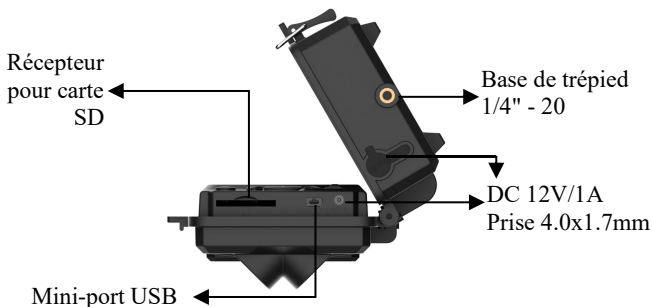


Figure 2 : Vue de dessous

L'appareil photo a deux trous de sangle à l'arrière. La sangle peut être passée à travers les trous de la sangle et fixée solidement autour du tronc de l'arbre en tirant fermement sur l'extrémité de la sangle (Figure 3).

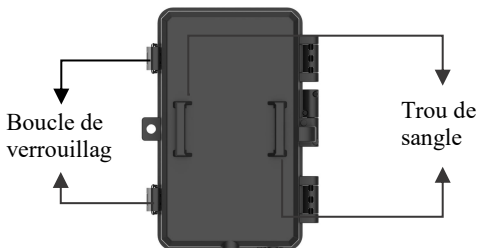


Figure 3 : Vue arrière

L'appareil photo dispose d'un écran LCD intégré de 2,4 pouces, qui peut être utilisé pour visualiser des images ou des vidéos et pour l'affichage des menus, et d'une conception de clavier unique pour une programmation et une utilisation faciles, 8 emplacements pour piles AA sont pris en charge (Figure 4).



Figure 4 : Vue intérieure



Figure 5 : Boutons de fonctionnement et raccourci

Un interrupteur d'alimentation à 3 positions est utilisé pour sélectionner les principaux modes de fonctionnement : **OFF**, **ON** et **SET** (Figure 5).

Une interface de touches de commande à six touches est principalement utilisée en mode **SET** pour sélectionner les fonctions et paramètres opérationnels. Comme le montre la figure 5, les touches peuvent également remplir une deuxième fonction (opérations de raccourci en mode SET) en plus de leur fonction principale.

## 5. INSTALLATION DES PILES ET DE LA CARTE SD

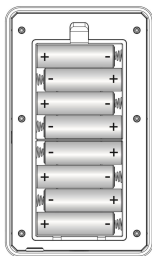
Avant de commencer à apprendre à utiliser votre caméra, vous devez d'abord installer un jeu de piles et insérer une carte SD. Bien que cela puisse ne vous prendre qu'une minute, il y a quelques remarques importantes sur les piles et les cartes SD que vous devez connaître, veuillez donc prendre le temps de **lire les instructions et mises en garde suivantes** :

### 5.1. INSTALLATION DES PILES

Après avoir ouvert le couvercle du compartiment à piles, vous verrez que l'appareil photo dispose de huit emplacements pour piles (Figure 6). Huit piles complètes doivent être installées

pour que la caméra fonctionne. Assurez-vous d'insérer chaque batterie avec la polarité correcte (extrémité négative ou "plate" contre le long ressort de chaque emplacement de batterie).

En mode **SET**, lorsque le niveau de charge des piles devient faible, le message "**Pile Faible**" s'affiche à l'écran, veuillez remplacer les piles. Si l'indicateur de pile s'affiche en ROUGE, cela signifie que les piles ne sont pas en mesure de faire clignoter les LED IR la nuit, mais qu'elles fonctionnent encore le jour jusqu'au message "**Pile Faible**". Si vous souhaitez continuer à bénéficier de la vision nocturne, veuillez remplacer les piles.



*Figure 6 : Installation des piles*

## **5.2. INSERTION DE LA CARTE SD**

Insérez la carte SD (avec l'interrupteur d'alimentation de la caméra en position **OFF**) avant de commencer à utiliser la caméra. N'insérez pas ou ne retirez pas la carte SD lorsque l'interrupteur d'alimentation est en position **ON** ou **SET**. L'appareil photo utilise une carte mémoire de taille standard pour enregistrer des photos (au format .jpg) et/ou des vidéos (au format .mp4). Les cartes SD et SDHC (haute capacité) / SDXC jusqu'à une capacité maximale de 512 Go sont prises en charge (*Figure 7*).



Figure 7 : Insertion de la carte SD

Ce qui suit décrit comment insérer et retirer la carte SD :

- Insérez la carte SD dans la fente pour carte avec son étiquette vers le haut. Un son "clic" indique que la carte est installée avec succès. Si le mauvais côté de la carte est orienté vers le haut, vous ne pourrez pas l'insérer sans forcer, il n'y a qu'une seule façon correcte d'insérer les cartes. Si la carte SD n'est pas installée correctement, l'appareil n'affichera pas d'icône de carte SD à l'écran en mode SET. Il est recommandé de formater la carte SD à l'aide du paramètre "Format" de l'appareil photo dans les paramètres du menu avant de l'utiliser pour la première fois, en particulier lorsqu'une carte a été utilisée dans d'autres appareils.
- Pour retirer la carte SD, poussez simplement doucement la carte (n'essayez pas de la retirer sans l'avoir enfoncée au préalable). La carte est libérée de la fente et prête à être retirée lorsque vous entendez le clic. Assurez-vous que l'alimentation de la caméra est coupée avant d'insérer ou de retirer des cartes SD ou des piles.

## 6. UTILISATION DE LA CAMÉRA

Une fois que vous avez préparé votre caméra en installant correctement les piles et une carte SD, vous pouvez simplement le sortir à l'extérieur, l'attacher à un arbre (ou non - selon votre scénario d'application), mettez-le sur **ON** et partir - et vous pourriez obtenir de superbes photos qui correspondent exactement à ce que vous vouliez. Cependant, nous vous recommandons fortement de passer d'abord un peu plus de

temps à l'intérieur avec ce manuel et votre appareil photo jusqu'à ce que vous en sachiez un peu plus sur ce que font le commutateur à 3 voies et ces touches de contrôle. A tout le moins, vous voudrez probablement régler la date et l'heure pour que la caméra les imprime (ou non - c'est votre choix) sur vos photos au fur et à mesure qu'elles sont prises, apprendre à configurer la caméra pour filmer des clips vidéo à la place de photos fixes si vous le souhaitez, et lire quelques conseils pour la monter sur un arbre.

## 7. LES OFF, ON, AND SET MODES

La caméra dispose de trois modes de fonctionnement de base :

- **OFF-Mode** : interrupteur d'alimentation en position **OFF**.
- **ON-Mode** : interrupteur d'alimentation en position **ON**.
- **SET-Mode**: l'interrupteur d'alimentation en position **SET** (l'écran est allumé).

### 7.1. *OFF-MODE*

Le mode **OFF** est le mode "sûr" lorsque des actions doivent être entreprises, par exemple, le remplacement de la carte SD ou des piles, ou le transport de l'appareil. Et bien sûr, lorsque vous rangez ou n'utilisez pas l'appareil photo, vous le mettez sur **OFF**. Veuillez noter qu'en mode **OFF**, la caméra consomme peu d'énergie. C'est une bonne idée de retirer les piles du compartiment à piles si l'appareil photo n'est pas utilisé pendant une longue période.

### 7.2. *ON-MODE*

À tout moment après l'insertion des piles et de la carte SD, vous pouvez allumer la caméra. Lorsque l'interrupteur d'alimentation est déplacé vers la position médiane, la caméra entrera en mode **ON** (Surveillance). Si le mode est défini sur "Détection de mouvement", l'appareil photo effectuera un compte à rebours de

30 secondes et sera alors prêt à capturer des images. Si le mode est défini sur "Intervalle de temps", il n'y aura pas de compte à rebours de 30 secondes et la caméra sera prête à entrer en Intervalle de temps.

Une fois en mode **ON**, aucune commande manuelle n'est nécessaire ou possible (les touches de commande n'ont aucun effet). L'appareil photo prendra automatiquement des photos ou des vidéos (selon ses paramètres actuels).

Vous pouvez soit déplacer l'interrupteur d'alimentation directement du mode **OFF** au mode **ON**, soit vous arrêter d'abord sur la position **SET** pour modifier un ou plusieurs paramètres, puis déplacer l'interrupteur sur **ON** une fois que vous avez terminé.

### **7.3. SET-MODE**

En mode **SET**, vous pouvez vérifier et modifier les paramètres de la caméra à l'aide de son écran intégré. Ces paramètres, trouvés dans le menu en appuyant sur la touche **MENU**, vous permettent de modifier la résolution photo ou vidéo, l'intervalle entre les photos, d'activer l'impression de l'heure, etc. (Voir plus dans la section 8 PARAMÈTRES AVANCÉS).

En déplaçant l'interrupteur d'alimentation sur la position **SET**, l'affichage de l'écran s'allumera et vous verrez un écran d'information indiquant le nombre d'images prises, le niveau de la batterie, le mode appareil photo ou vidéo, etc.

Attention s'il vous plaît : En mode **SET**, la caméra entrera automatiquement en mode **ON** s'il n'y a pas d'opération (pression de touche) dans les 5 minutes. Ensuite, la caméra fonctionnera comme vos paramètres dans le menu.

En mode **SET**, vous pouvez connecter la caméra au port USB d'un ordinateur pour télécharger vos images.

## *Touches de raccourci/Fonctions*

Comme mentionné précédemment dans "Pièces et commandes", les claviers ont des fonctions secondaires de "raccourci" lorsque la caméra est commutée en mode **SET** :

- Appuyez sur la touche **HAUT** pour régler rapidement l'appareil photo pour enregistrer des clips vidéo.
- Appuyez sur la touche **BAS** pour régler rapidement l'appareil photo pour qu'il prenne des photos.
- Appuyez sur la touche **DROITE** pour déclencher manuellement l'obturateur. Ceci est utile pour tester la caméra. Le compteur "nombre d'images prises" en haut à droite de l'écran augmentera d'un.
- Appuyez sur la touche **OK** pour lire. Appuyez ensuite sur la touche **HAUT** ou **BAS** pour parcourir la photo ou la vidéo de l'historique si vous le souhaitez. Appuyez enfin sur la touche **OK** pour quitter la lecture.

## **8. PARAMÈTRES AVANCÉS**

La caméra de surveillance est livrée avec des paramètres prédéfinis du fabricant. Vous pouvez modifier les paramètres pour répondre à vos besoins. Veuillez-vous assurer que la caméra est en mode **SET**. Une fois l'écran de l'appareil photo allumé, appuyez sur la touche **MENU** pour entrer/sortir du menu. Appuyez sur la touche **HAUT/BAS** pour déplacer le marqueur, appuyez sur la touche **GAUCHE/DROITE** pour modifier le réglage et appuyez sur la touche **OK** pour confirmer le changement. N'oubliez jamais d'appuyer sur **OK** pour enregistrer la modification. Sinon vous perdrez votre nouveau réglage.



Paramètre	Valeurs (En gras = par défaut)	Description
<b>Mode</b>	Détection de mouvement, Intervalle de temps, Hybride	En mode <b>Détection de mouvement</b> , la caméra prend des photos ou des vidéos une fois déclenchée. En mode <b>Intervalle de temps</b> , la caméra prend des photos ou des vidéos périodiquement en fonction de votre paramètre prédéfini "Intervalle de temps". Le mode " <b>Hybride</b> " inclut les deux ci-dessus.
<b>Photo ou vidéo</b>	<b>Photo</b> , Vidéo, Photo + Vidéo	Sélectionnez si des photos ou des clips vidéo sont pris.
<b>Taille de la photo</b>	32MP 24MP 16MP 8MP <b>4MP</b>	Sélectionnez la résolution souhaitée pour les photos. Une résolution plus élevée produit des photos de meilleure qualité, mais crée des fichiers plus volumineux qui occupent une plus grande partie de la capacité de la carte SD. Les fichiers plus volumineux nécessitent un temps d'écriture plus long sur la carte SD, ce qui ralentit légèrement la vitesse d'obturation.
<b>Rafale d'images</b>	<b>01</b> , 02, 03, 04, 05	Sélectionnez le nombre de photos prises en séquence par déclenchement.

<p><b>Taille de la vidéo</b></p>	<p>1296P <b>1080P</b> 720P</p>	<p>Sélectionnez la résolution vidéo (pixels par image). Une résolution plus élevée produit des vidéos de meilleure qualité, mais crée des fichiers plus volumineux qui occupent plus de la capacité de la carte SD.</p>
<p><b>Durée de la vidéo</b></p>	<p><b>10 secondes,</b> en option de 3s à 5min.</p>	<p>Sélectionnez la durée d'enregistrement vidéo. <i>Remarque : il est fortement recommandé de régler la durée de la vidéo de nuit sur moins de 30 secondes car les LED IR consommeront plus d'énergie des piles.</i></p>
<p><b>Format vidéo</b></p>	<p><b>MP4</b> MOV</p>	<p>MP4 est le format grand public dans l'industrie vidéo, plus compatible avec n'importe quel lecteur. Sélectionnez MOV au cas où le logiciel d'une ancienne caméra numérique doit fonctionner avec des vidéos au format MOV.</p>
<p><b>Intervalle PIR</b></p>	<p><b>10 secondes,</b> en option de 0s à 60min.</p>	<p>Sélectionnez la durée la plus courte que doit attendre la caméra avant de répondre à tout déclenchement ultérieur du capteur PIR après la première détection d'un gibier. Pendant l'intervalle sélectionné, la caméra ne prendra pas de photos/vidéos. Cela empêche la carte SD de se remplir de trop d'images redondantes. 0 signifie capturer aussi vite que possible.</p>

		<i>Remarque : cette option n'est pas valide si le <b>mode</b> est défini sur "Intervalle de temps".</i>
<b>Sensibilité PIR</b>	<b>Haute</b> <b>Normale</b> <b>Basse</b>	<p>Sélectionnez la sensibilité du capteur PIR. La température affecte la sensibilité. Le réglage Haute convient lorsque la température ambiante est chaude ou que vous souhaitez capturer un objet éloigné ou en capturer davantage, et le réglage Normale/Basse est utile par temps froid.</p> <p><i>Remarque : cette option n'est pas valide si le <b>mode</b> est défini sur "Intervalle de temps".</i></p>
<b>Détecteurs de mouvement latéral</b>	<b>Activé</b> <b>Désactivé</b>	<p>Sélectionner <b>Activé</b> activera les détecteurs de mouvement latéraux. Cela apporte des vitesses de déclenchement plus rapides et aide à photographier les animaux en mouvement rapide. Lorsque l'un des deux capteurs de mouvement latéraux détecte un événement de mouvement, la caméra est pré-activée. Pendant que l'animal entre dans la zone de détection du capteur de mouvement central, la caméra commencera à prendre des photos ou des vidéos. Sélectionnez <b>Désactivé</b> pour économiser les piles.</p>
<b>Test de mouvement</b>		Cette fonction vous aide à orienter la caméra vers votre zone cible. Veuillez

		vous reporter aux détails de la <i>section 9.2.</i>
<b>Intervalle de temps</b>	<b>Première prise de vue:</b> hh:mm	Définissez l'heure de la première prise de vue après l'activation du <b>mode Intervalle de temps</b> ou <b>Hybride</b> . Si vous souhaitez obtenir des photos plus tôt, il est recommandé de régler cette heure plus tard que l'heure actuelle.
	<b>Intervalle:</b> en option de 3s à 24h.	Définir l'intervalle de temps. Cela prend effet <b>UNIQUEMENT</b> lorsque le <b>mode</b> est défini sur <b>Intervalle de temps</b> ou <b>Hybride</b> . L'appareil prend automatiquement des photos/vidéos selon l'intervalle défini, que le capteur PIR ait ou non détecté du gibier. Cette option est utile pour observer des animaux à sang froid comme les serpents, ou le processus de floraison, etc. <i>Remarque : cette option n'est pas valide si le <b>mode</b> est réglé sur "Détection de mouvement".</i>
<b>Date et Heure</b>	M/J/A hh:mm	M – Mois, J – Jour, A – Année hh – Heure, mm – Minute Remarque : utilisez la touche " <b>GAUCHE/DROITE</b> " pour changer les paramètres, utilisez " <b>HAUT/BAS</b> " pour régler la date et l'heure actuelles. Le format de saisie de la date peut changer. Veuillez-vous référer aux réglages des paramètres " <b>Format de</b>

		<b>la date"</b> en conséquence.
<b>Format de la date</b>	J/M/A M/J/A A/M/J	Sélectionnez le format de date qui sera affiché à l'écran et à chaque capture.
<b>Format de l'heure</b>	<b>12 h.</b> 24 h.	Sélectionnez le format de l'heure qui sera affiché à l'écran et à chaque capture. 12h - AM/PM
<b>Nom de la caméra</b>	Activé <b>Désactivé</b>	Sélectionnez <b>Activé</b> pour attribuer une longueur de 4 caractères sous la forme de majuscules A-Z, 0-9 pour enregistrer l'emplacement sur les photos (par exemple, A123 pour Yellow Stone Park). Cela aide les utilisateurs multi-caméras à identifier l'emplacement lors de l'examen des photos.
<b>Bande d'informations</b>	<b>Activé</b> Désactivé	Sélectionnez <b>Activé</b> pour afficher la date, l'heure, la température et la phase de lune sur chaque capture.
<b>Enregistrement en boucle</b>	Activé <b>Désactivé</b>	La sélection de l'option <b>Activé</b> entraînera l'écrasement des fichiers les plus anciens par de nouvelles captures lorsque la carte SD atteint sa capacité. Avec l'option <b>Désactivé</b> sélectionnée, l'appareil photo arrête de capturer des images une fois que la carte SD atteint sa capacité.

<b>Heures d'activité</b>	Activé Désactivé	Sélectionnez <b>Activé</b> si vous souhaitez que la caméra ne fonctionne que pendant une période spécifiée chaque jour. Par exemple, si l'heure de début est fixée à 18h35 et l'heure de fin à 8h25, la caméra fonctionnera de 18h35 le jour en cours à 8h25 le lendemain. En dehors de cette période, la caméra ne se déclenchera pas et ne prendra pas de photos/vidéos.
<b>Mot de passe</b>	Activé Désactivé	Configurez un mot de passe à 4 chiffres pour protéger votre caméra des utilisateurs non autorisés. Si le code est perdu, vous pouvez contacter le support client pour réinitialiser le mot de passe.
<b>Formater carte</b>	Oui Non	Tous les fichiers seront détruits après le formatage de la carte SD. Nous recommandons fortement que vous formattiez la carte SD si elle a été utilisée dans d'autres appareils auparavant. <i>Attention : assurez-vous d'abord que les fichiers de la carte SD que vous désirez conserver ont été archivés !</i>
<b>Remise à zéro</b>	Oui Non	Sélectionner <b>Oui</b> ramènera tous vos paramètres précédents aux valeurs par défaut du fabricant.
<b>Version</b>	Défini	Afficher la version de la caméra.

## 9. MONTAGE ET POSITIONNEMENT

### 9.1. MONTAGE

Après avoir réglé les paramètres de la caméra selon vos préférences personnelles à la maison, vous êtes prêt à sortir et à glisser l'interrupteur d'alimentation sur "ON". Lorsque vous installez la caméra pour le repérage du gibier ou pour d'autres usages extérieures, vous devez vous assurer de la monter correctement et solidement. Nous recommandons de monter la caméra sur un arbre solide d'un diamètre d'environ 15cm. Pour obtenir une qualité d'image optimale, l'arbre doit se trouver à environ 5m de l'endroit à surveiller, et la caméra doit être placée à une hauteur de 0,75 à 1m. N'oubliez pas non plus que vous obtiendrez les meilleurs résultats de nuit lorsque le sujet se trouve dans la portée idéale du flash, c'est-à-dire pas à plus de 20m et pas à moins de 3m de la caméra.

Il existe deux manières de monter la caméra : en utilisant la sangle réglable fournie ou la douille de trépied.

**Utilisation de la sangle réglable :** Utilisez la dragonne de la caméra comme illustré. Poussez une extrémité de la sangle à travers les deux supports à l'arrière de la caméra. Passez l'extrémité de la sangle dans la boucle. Attachez solidement la sangle autour du tronc de l'arbre en tirant fermement sur l'extrémité de la sangle pour qu'il n'y ait plus de mou (*Figure 8*). *Remarque : il n'est pas possible d'utiliser un câble antivol (dans la partie supérieure du support) et la sangle en même temps.*

**Utilisation de la douille de trépied :** La caméra est équipée d'une prise à l'extrémité inférieure pour permettre le montage sur un trépied ou d'autres accessoires de montage avec une vis à filetage standard UNC 1/4-20 (*non inclus*).



Figure 8 : Montage de la caméra

## 9.2. TEST D'ANGLE ET DE DISTANCE DE DETECTION

Pour tester si la caméra peut surveiller efficacement la zone que vous choisissez, ce test est recommandé pour vérifier l'angle de détection et la distance de surveillance de la caméra. Pour effectuer le test:

- Basculez l'appareil photo en mode **SET**.
- Sélectionnez "Test de mouvement" dans le menu. La caméra comptera à rebours un délai maximum de 60 secondes et sera prête à capturer les mouvements. *(Remarque : le temps de retard peut être inférieur à 60 secondes, selon le temps réel du détecteur de mouvement à activer. Le temps de retard est de 60 secondes moins le temps de mise sous tension.)*
- Fermez la porte de la caméra.
- Faites des mouvements devant la caméra à plusieurs endroits dans la zone où vous vous attendez à ce que le gibier ou les sujets se trouvent. Essayez différentes distances et angles de la caméra.
- Lorsque la DEL blanche de l'indicateur de mouvement clignote en **ROUGE**, cela signifie que la caméra est en mesure de détecter la position. Toutefois, si la DEL ne clignote pas, cela signifie que la position se situe en dehors de la plage de détection. *(Remarque : le voyant rouge clignote uniquement lorsque le mouvement se situe dans la*



*zone de détection du capteur PIR central. L'angle de vue de détection du capteur central est de 60°. Chacun des capteurs latéraux a un angle de vue de 30°, qui n'est utilisé que pour pré-activer la caméra et accélérer la vitesse de déclenchement, il n'y a pas de voyant ROUGE clignotant quel que soit le capteur latéral qui détecte des mouvements.)*

- Dans ces tests de détection, l'appareil photo prendrait des photos une fois le mouvement capturé. Lorsque vous ouvrez l'appareil photo, l'écran affiche le nombre de fois déclenché, vous pouvez revoir les images à l'écran.

Les résultats de vos tests vous aideront à trouver le meilleur emplacement lors du montage et de l'orientation de la caméra. La hauteur par rapport au sol pour placer l'appareil doit varier en fonction de la taille de l'animal de manière appropriée. En général, 0.9-1.8m sont préférables.

Vous pouvez éviter les faux déclenchements potentiels dus aux perturbations de la température et du mouvement devant la caméra en ne la dirigeant pas vers une source de chaleur ou des branches d'arbres ou des buissons à proximité (en particulier les jours de vent).

N'installez PAS la caméra derrière la vitre car il est impossible de détecter un mouvement. Évitez s'installer la caméra vers un objet en verre.

### **9.3. MISE EN MARCHE DE LA CAMÉRA**

La caméra prend en charge 3 modes de fonctionnement, "Détection de mouvement", "Intervalle de temps" et "Hybride".

(1) Si vous définissez le mode de fonctionnement de la caméra sur "Détection de mouvement" dans le menu, une fois que vous passez en mode **ON**, la caméra compte à rebours de 30 secondes, puis sera prête à passer en veille (surveillance) et à capturer. Tout mouvement détecté par celui-ci déclenchera la

capture d'images comme programmé dans le menu. Assurez-vous d'avoir lu les descriptions des paramètres Délai de détection et Sensibilité PIR.

(2) Si vous définissez le mode de fonctionnement de la caméra comme "Intervalle de temps" dans le menu, une fois que vous passez en mode **ON**, la caméra sera prête à passer en mode "Intervalle de temps", puis à prendre des images périodiquement selon votre paramètre "Intervalle de temps" prédéfini, indépendamment des paramètres "Intervalle PIR".

(3) Si vous réglez le mode de travail de l'appareil photo sur "Hybride" dans le menu, l'appareil photo fonctionnera selon les deux modes ci-dessus.

Avant de laisser la caméra sans surveillance, veuillez vérifier les points suivants :

- Les piles sont-elles insérées avec la polarité correcte et leur niveau de puissance est-il suffisant ?
- La carte SD a-t-elle suffisamment d'espace disponible ?
- L'interrupteur d'alimentation est-il en position **ON** ?

## **10. VOIR DES PHOTOS OU DES VIDÉOS**

Après avoir configuré, monté et activé votre CAMERA, vous aurez bien sûr hâte de revenir plus tard et de revoir les images qu'elle aura capturées pour vous. La caméra stocke les photos et vidéos dans le dossier \DCIM\100MEDIA de la carte SD. Les photos sont enregistrées avec des noms de fichiers tels que DSCF0001.JPG et les vidéos avec des noms de fichiers tels que DSCF0001.MP4. Les fichiers vidéo MP4 peuvent être lus sur la plupart des lecteurs multimédias populaires, tels que Windows Media Player, QuickTime, VLC, etc.

Il y a plusieurs façons de le faire.

Vous pouvez consulter directement les photos ou les vidéos sur

l'écran de la caméra.

Ou en mode **SET** uniquement, vous pouvez utiliser le câble USB fourni pour télécharger les fichiers sur un ordinateur.

Ou vous pouvez mettre la carte SD dans un "lecteur" de carte SD (*non inclus*), brancher un ordinateur et parcourir les fichiers sur l'ordinateur sans télécharger.

## 11. SPÉCIFICATIONS TECHNIQUES

Élément	Description
<b>Mode de fonctionnement</b>	Détection de mouvement, Intervalle de temps et Hybride
<b>Nombre max. de pixels</b>	32MP
<b>Lentille</b>	f/1,6, FOV=63°, coupe IR automatique
<b>Flash infrarouge</b>	27m
<b>Écran LCD</b>	Écran couleur 2,4"
<b>Clavier</b>	6 touches, 1 interrupteur d'alimentation
<b>Mémoire</b>	Carte mémoire SD, SDHC ou SDXC standard (Non inclus), capacité maximale 512 Go
<b>Résolution d'image</b>	32MP, 24MP, 16MP, 8MP, 4MP
<b>Résolution vidéo</b>	2304 x 1296P@20fps, 1920 x 1080P@30fps, 1280 x 720P@30fps
<b>Sensibilité PIR</b>	Haute/Normale/Basse
<b>Distance de détection PIR</b>	27m (en-dessous de 25°C)
<b>Angle de détection PIR</b>	Total 120° (lorsque les détecteurs de mouvement latéraux sont activés) Zone centrale : 60°, côté gauche : 30°, côté droit : 30°.

<b>Temps de déclenchement</b>	Environ 0,1~0,5 seconde (0,1s lorsque les capteurs de mouvement latéraux sont activés)
<b>Intervalle de déclenchement</b>	0sec.~60min, Programmable
<b>Numéros de tir</b>	1-5
<b>Durée de la vidéo</b>	3sec ~ 5min., Programmable
<b>Bande d'informations</b>	Activé/Désactivé
<b>Heures d'ouverture</b>	Activé/Désactivé, 00:00-23:59 (spécifié par l'utilisateur)
<b>Mot de passe</b>	Code à 4 chiffres
<b>Nom de la caméra</b>	4 caractères (A-Z, 0-9)
<b>Intervalle de temps</b>	3 secondes. ~ 24 heures
<b>Source d'alimentation</b>	8 piles AA de 1,5 V (non incluses)
<b>Temps de veille</b>	8 mois en veille
<b>Mode veille automatique</b>	Veille automatique (mode surveillance) en 5 minutes sans opération en mode <b>SET</b>
<b>Alarme de piles faibles</b>	8V - Piles faibles (les piles meurent) 9V - La vision nocturne n'est pas disponible en basse tension (les piles sont presque mortes)
<b>Interface</b>	Mini-USB, support de carte SD standard, Alimentation externe (DC 12V/1A, prise 4.0x1.7mm)
<b>Montage</b>	Sangle, base de trépied (1/4-20)
<b>Étanche</b>	IP66

<b>Température de fonctionnement</b>	-20 ~ 60°C
<b>Humidité de fonctionnement</b>	5% ~ 95%
<b>Certificat</b>	FCC & CE & RoHS
<b>Dimensions du produit</b>	15,3 x 11,2 x 7,6 cm

## 12. DÉPANNAGE

Si votre caméra ne semble pas fonctionner correctement ou si vous avez des problèmes de qualité photo/vidéo, veuillez effectuer ces vérifications simples et rapides :

- Assurez-vous que la caméra est sous tension et dans le bon mode
- Formatez la carte SD dans la caméra ou remplacez-la, car la carte SD est un support de stockage qui peut parfois être instable
- Remplacez les piles si la vision nocturne ne semble pas fonctionner comme prévu
- Le fond sombre des images de nuit est généralement causé par de fortes réflexions des obstacles proches de la caméra. Pour obtenir la meilleure image de nuit, veuillez supprimer autant que possible les obstacles rapprochés (tels que les murs ou les troncs d'arbres) devant la caméra, ou ajustez la position d'installation de votre caméra pour éviter ces obstacles (*Figure 9*)



*Figure 9 : Évitez les obstacles rapprochés devant la caméra*

Si votre appareil rencontre toujours des difficultés, veuillez nous contacter en nous fournissant votre numéro de commande, ou **vérifiez sur le site Web que vous utilisez le dernier micrologiciel.** Soyez assuré que nous ferons le nécessaire pour vous satisfaire.

## 1. CONTENUTO DELLA CONFEZIONE

1 x Fotocamera, 1 x Cinghia di montaggio,  
1 x Manuale d'istruzioni, 1 x Mini cavo USB

*Nota: La scheda di memoria e le batterie non sono incluse (fornite dall'utente).*

## 2. NOTA IMPORTANTE

Funziona con otto (8) batterie al litio o alcaline AA da 1,5 V. Si consiglia di utilizzare batterie al litio Energizer AA in questa fotocamera per una maggiore durata della batteria.

Non mischiare batterie vecchie e nuove.

Non mischiare tipi diversi di batterie.

È possibile utilizzare batterie NiMH AA ricaricabili, ma il voltaggio più basso (generalmente 1,2 V) che producono ha una durata breve, potrebbe essere necessario sostituirle frequentemente.

Rimuovere le batterie quando la fotocamera NON è in uso.

Richiede una scheda di memoria SDHC/SDXC standard (capacità massima di 512 GB, classe 10). Si consiglia di utilizzare schede di memoria SanDisk SDHC Class 10 da 32 GB nella fotocamera per il miglior rapporto qualità-prezzo.

**Prima del primo utilizzo, formattare la scheda SD nella fotocamera utilizzando "Formato" nelle impostazioni del menu.**

## 3. INTRODUZIONE

### 3.1. INFORMAZIONI SULLA FOTOCAMERA

La fotocamera da caccia A262 è una nuova generazione di fotocamera digitale di esplorazione, che viene attivata da

qualsiasi movimento vicino alla tua posizione grazie al rilevamento del movimento del sensore a infrarossi passivi (PIR) altamente sensibile e quindi scatta foto di alta qualità (foto fisse fino a 32 MP) o clip video 1296P 20fps or 1080P 30fps H.264.

La fotocamera è dotata della nuova innovativa tecnologia di imaging ultra-clear. La fotocamera include miglioramenti software completamente nuovi, nonché un sistema di tecnologia di illuminazione intelligente, tecnologia di riduzione della sfocatura, riduzione automatica del rumore e tecnologia di esposizione dinamica per fornire una qualità dell'immagine ad alta risoluzione. Rilevamento multizona, tecnologia preattivata e avvio rapido per offrire una velocità di attivazione rapida di 0,1 secondi e un tempo di ripristino di 0,5 secondi. La telecamera consuma pochissima energia (meno di 0,1 mA) in uno stato di stand-by (sorveglianza). Può fornire 8 mesi di autonomia in stand-by quando il dispositivo è alimentato da otto batterie AA da 1,5 V.

### ***3.2. CARATTERISTICHE PRINCIPALI***

- Immagini di alta qualità (foto fino a 32 MP) o videoclip full HD H.264. La fotocamera è dotata di un sensore CMOS avanzato, obiettivo di grande apertura f/1.6 premium e dispone di un esclusivo algoritmo di ottimizzazione dell'immagine; può scattare foto o video nitidi anche in condizioni di scarsa illuminazione o in ambienti bui.
- Visione notturna nitida, portata del flash fino a 27 m. La fotocamera è dotata di 36 LED a infrarossi ad alte prestazioni da 940 nm antiriflesso che funzionano come flash (invisibili agli occhi umani e animali).
- Facile da usare/programmare con pulsanti operativi ben progettati e schermo LCD a colori da 2,4 pollici integrato, facile da rivedere immagini e video sullo schermo.



- Tre modalità di lavoro: Rilevamento di movimento, Time Lapse e Ibrido.
- Tempo di attivazione rapida ca. 0,1 ~ 0,5 secondi (tecnologia preattivata con 3 sensori PIR), tempo di recupero rapido inferiore a 0,5 secondi, lunga distanza di ripresa fino a 27 m.
- Etichettatura delle informazioni su ogni acquisizione: data, ora, temperatura e fase lunare.
- Ore di funzionamento, sistema di registrazione in loop, time lapse, protetto da password.
- Progettato per resistere a tutte le condizioni atmosferiche - Certificazione IP66 Impermeabile progettato per uso esterno e resistente a pioggia e neve. Intervallo di temperatura di esercizio -20~60°C.
- Supporta schede di memoria SD/SDHC/SDXC, capacità massima 512 GB (*venduta separatamente*).
- Durata della batteria di campo estremamente lunga fino a 8 mesi in standby con 8 batterie AA da 1,5 V (*vendute separatamente*).

#### 4. COMPONENTI E CONTROLLI

La telecamera è dotata di 36 LED a infrarossi ad alta efficienza, indicatori LED, lenti, sensori PIR e fori di bloccaggio nella vista frontale (*Figura 1*).

**SUGGERIMENTO:** Durante l'uso, l'obiettivo PIR nero potrebbe essere sporco o presentare graffi, tuttavia non influisce sulle prestazioni grazie al design affidabile. Se devi pulirlo, prova a soffiarlo via o ad eliminare lo sporco molto leggermente. Si prega di non provare a pulirlo, che potrebbe causare più graffi.

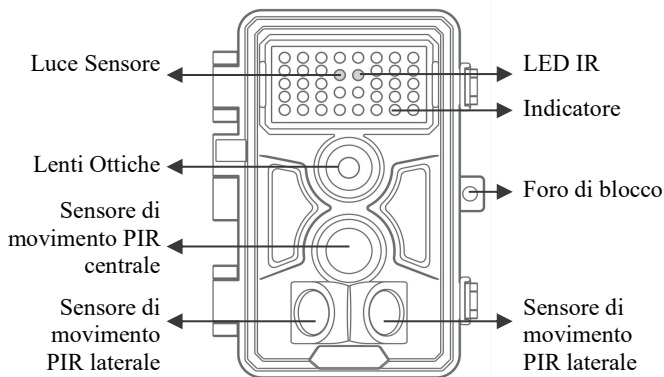


Figura 1: Vista frontale

La fotocamera fornisce le seguenti connessioni per dispositivi esterni: porta Mini USB e slot per schede SD, ecc. (Figura 2).

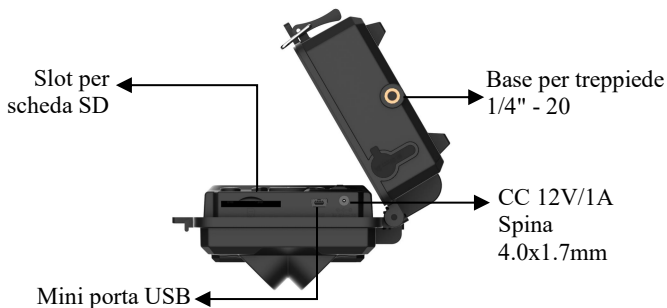


Figura 2: Vista dal basso

La fotocamera ha due fori per il cinturino sul retro. La cinghia può essere infilata attraverso i fori della cinghia e fissata saldamente attorno al tronco dell'albero tirando saldamente l'estremità della cinghia (Figura 3).

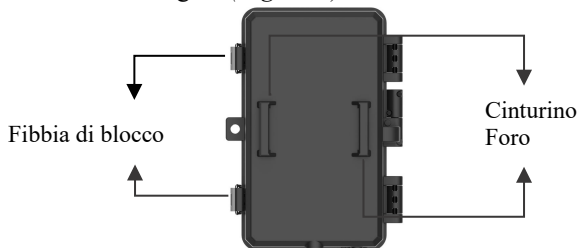


Figura 3: Vista posteriore

La fotocamera incorpora uno schermo LCD da 2,4 pollici, che può essere utilizzato per rivedere immagini o video e visualizzare menu, e un layout di tastiera unico per una facile programmazione e funzionamento, con supporto per 8 batterie AA (Figura 4).



Figura 4: Vista interna



*Figura 5: Pulsanti operativi e scorciatoie*

Un interruttore di alimentazione a 3 vie viene utilizzato per selezionare le principali modalità di funzionamento: **OFF**, **ON** e **SET** (Figura 5).

Un'interfaccia chiave di controllo con sei tasti viene utilizzata principalmente in modalità **SET** per selezionare funzioni e parametri operativi. Come mostrato in Figura.5, i tasti possono svolgere anche una seconda funzione (operazioni di scelta rapida in modalità SET) oltre alla loro funzione principale.

## **5. INSTALLAZIONE BATTERIE E SCHEDA SD**

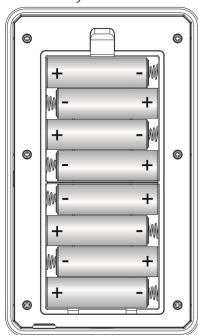
Prima di iniziare a imparare a utilizzare la fotocamera, dovrai prima installare un set di batterie e inserire una scheda SD. Anche se potrebbe volerci solo un minuto, ci sono alcune note importanti sulle batterie e sulle schede SD di cui dovresti essere a conoscenza, **quindi prenditi il tempo per leggere le seguenti istruzioni e precauzioni:**

### **5.1. INSTALLAZIONE DELLA BATTERIA**

Dopo aver aperto il coperchio del vano batteria, vedrai che la fotocamera ha otto slot per batteria (Figura 6). È necessario inserire otto batterie cariche affinché la fotocamera funzioni.

Assicuratevi di inserire ogni batteria rispettando la polarità corretta (estremità negativa o "piatta" contro la molla lunga in ogni slot della batteria).

In modalità **SET**, quando il livello di carica della batteria è basso, sullo schermo apparirà il messaggio "**Batteria scarica**", sostituire le batterie. Se l'indicatore della batteria mostra **ROSSO**, significa che le batterie non sono in grado di attivare i LED IR lampeggianti durante la notte, tuttavia le batterie continuano a funzionare durante il giorno. Se si desidera continuare la visione notturna, sostituire le batterie.



*Figura 6: Installazione delle batterie*

## **5.2. INSERIRE SCHEDA SD**

Inserire la scheda SD (con l'interruttore di alimentazione della fotocamera in posizione **OFF**) prima di iniziare a utilizzare la fotocamera. Non inserire o rimuovere la scheda SD quando l'interruttore di alimentazione è in posizione **ON** o **SET**. La fotocamera utilizza una scheda di memoria standard per salvare foto (in formato .jpg) e/o video (in formato .mp4). Sono supportate schede SD e SDHC (alta capacità)/SDXC fino a una capacità massima di 512 GB (*Figura 7*).



Figura 7: Inserimento della scheda SD

A continuación se describe cómo introducir y quitar la tarjeta SD:

Ecco come inserire e rimuovere la scheda SD:

- Inserire la scheda SD nello slot con l'etichetta rivolta verso l'alto. Un "clic" indica che la scheda è stata inserita correttamente. Se il lato sbagliato della carta è rivolto verso l'alto, non sarai in grado di inserirla senza forzare, c'è solo un modo corretto per inserirla. Se la scheda SD non è installata correttamente, il dispositivo non visualizzerà l'icona della scheda SD sullo schermo in modalità **SET**. Si consiglia di formattare la scheda SD utilizzando l'opzione di menu "**Formato**" della fotocamera prima del primo utilizzo, soprattutto quando la scheda è stata precedentemente utilizzata in altri dispositivi.
- Per rimuovere la scheda SD, è sufficiente spingere delicatamente la scheda (non tentare di rimuoverla senza prima premere). La scheda viene rilasciata dallo slot e sarà quindi in grado di uscire quando si sente il clic. Assicurati che la fotocamera sia spenta prima di inserire o rimuovere le schede SD o le batterie.

## 6. COME USARE LA FOTOCAMERA

Una volta che la tua fotocamera è pronta, installando correttamente le batterie e una scheda SD, puoi portarla fuori, legarla a un albero (o meno, a seconda di come vuoi usarla), accenderla e vai via - e potresti anche ottenere delle belle foto

che sono esattamente ciò che volevi. Tuttavia, ti consigliamo vivamente di sperimentarlo prima per un po' di tempo al chiuso con questo manuale e la tua fotocamera fino a quando non ne avrai familiarità con esso, le sue funzioni e i tasti di controllo. Se non c'è nient'altro, probabilmente vorrai almeno impostare la data e l'ora in cui la fotocamera per filigranare (o no, è la tua opzione) sulle tue foto mentre vengono scattate, imparare a impostare la macchina fotografica per scattare video clip invece di foto, se ti va, e leggi qualche consiglio su come montarlo su un albero.

## 7. LE MODALITÀ OFF, ON E SET

La fotocamera dispone di tre modalità di funzionamento di base:

- Modalità **OFF**: interruttore di alimentazione in posizione **OFF**.
- Modalità **ON**: interruttore di alimentazione in posizione **ON**.
- Modalità **SET**: interruttore di alimentazione in posizione **SET** (schermo acceso).

### 7.1. MODALITÀ OFF

La modalità **OFF** è la modalità "sicura" quando è necessario intraprendere un'azione, come sostituire la scheda SD o le batterie o trasportare il dispositivo. E, naturalmente, quando si memorizza o non si utilizza la fotocamera, la si imposta su **OFF**. Si noti che in modalità **OFF** la fotocamera consuma poca energia. Si consiglia di rimuovere le batterie dal vano se la fotocamera non verrà utilizzata per un lungo periodo.

### 7.2. MODALITÀ ON

È possibile accendere la fotocamera in qualsiasi momento dopo aver inserito le batterie e la scheda SD. Quando l'interruttore di alimentazione viene spostato nella posizione centrale, la

telecamera entrerà in modalità **ON** (sorveglianza).. Se la modalità nelle impostazioni è impostata su "Rilevamento di movimento", la fotocamera eseguirà il conto alla rovescia per 30 secondi e quindi sarà pronta per acquisire immagini. Se la modalità è impostata su "time lapse", non ci sarà un conto alla rovescia di 30 secondi e la fotocamera sarà pronta per entrare nel time lapse.

Una volta in modalità **ON**, i controlli manuali non sono necessari o possibili (i tasti di controllo non hanno effetto). La fotocamera scatterà foto o video automaticamente (in base alle impostazioni dei parametri correnti).

È possibile spostare l'interruttore di alimentazione direttamente dalla modalità **OFF** alla modalità **ON** oppure fermarsi prima nella posizione **SET** per modificare una o più impostazioni, quindi spostare l'interruttore su **ON** dopo aver terminato.

### ***7.3. MODALITÀ SET***

In modalità **SET** puoi controllare e modificare le impostazioni della fotocamera con l'aiuto del suo display integrato. Queste impostazioni, che si trovano nel menu premendo il tasto **MENU**, consentono di modificare la risoluzione della foto o del video, l'intervallo tra le foto, attivare la filigrana temporale, ecc. (Vedi di più nella sezione 8 IMPOSTAZIONI AVANZATE).

Spostando l'interruttore di alimentazione sulla posizione **SET** si accenderà il display dello schermo, vedrai una schermata informativa che mostra quante immagini sono state scattate, il livello della batteria, la fotocamera o la modalità video e così via.

Attenzione: in modalità **SET**, la telecamera entrerà automaticamente in modalità **ON** (**SORVEGLIANZA**) se non viene eseguita alcuna azione (pressione di un tasto) entro 5



minuti. La fotocamera funzionerà quindi in base alle impostazioni nel menu.

In modalità **SET**, puoi collegare la fotocamera alla porta USB di un computer per scaricare le tue immagini.

### *Scorciatoie/Funzioni*

Come accennato in precedenza in "COMPONENTI E CONTROLLI", le tastiere hanno funzioni secondarie di "scorciatoia" quando la telecamera viene commutata in modalità **SET**:

- Premere il tasto **SU** per impostare rapidamente la fotocamera per riprendere videoclip.
- Premere il tasto **GI** per impostare rapidamente la fotocamera per scattare foto.
- Premere il tasto **DESTRA** per attivare manualmente l'otturatore. Questo è utile per testare la fotocamera. Il contatore "numero di immagini scattate" in alto a destra dello schermo aumenterà di uno.
- Premere il tasto **OK** per riprodurre. Poi premere i tasti **SU** o **GI** per navigare nella storia della foto o del video se si vuole. Infine premere il tasto **OK** per uscire dalla riproduzione.

## **8. IMPOSTAZIONI AVANZATE**

La fotocamera ha le impostazioni predefinite di fabbrica. Puoi cambiarli in base alle tue esigenze. Assicurati che la fotocamera sia in modalità **SET**. Una volta acceso lo schermo della fotocamera, premere il tasto **MENU** per accedere/uscire dal menu. Premere il tasto **SU/GI** per spostare il marker, premere il tasto **SINISTRA/DESTRA** per modificare l'impostazione e premere il tasto **OK** per confermare la modifica. Ricorda di premere sempre **OK** per salvare la modifica. In caso contrario, perderai le nuove impostazioni.

<b>Parametro</b>	<b>Impostazioni (grassetto = predefinito)</b>	<b>Descrizione</b>
<b>Modo</b>	Rilevamento di movimento, Time lapse, Ibrido	In modalità <b>Rilevamento di movimento</b> , la fotocamera scatterebbe foto o video una volta attivata. In modalità <b>Time lapse</b> , la fotocamera scatta foto o video periodicamente in base all'impostazione "Intervallo di tempo" preimpostata. La modalità <b>Ibrido</b> include entrambi sopra.
<b>Foto o Video</b>	<b>Foto</b> Video Foto+Video	Seleziona se vuoi scattare foto o registrare video.
<b>Dimensione foto</b>	32MP 24MP 16MP 8MP <b>4MP</b>	Seleziona la risoluzione desiderata per le foto. Una risoluzione più alta produce foto di qualità migliore, ma crea file più grandi che occupano più spazio sulla scheda SD. I file più grandi richiedono più tempo per la scrittura sulla scheda SD, il che rallenterà leggermente la velocità dell'otturatore.
<b>Scatto Continuo</b>	<b>01</b> , 02, 03, 04, 05	Seleziona il numero di foto scattate in sequenza per trigger.

<p><b>Dimensione video</b></p>	<p>1296P <b>1080P</b> 720P</p>	<p>Seleziona la risoluzione video (pixel per fotogramma). Una risoluzione più elevata produce video di qualità migliore, ma crea file più grandi che occupano più capacità della scheda SD.</p>
<p><b>Lunghezza video</b></p>	<p><b>10 secondi,</b> Opzionale da 3s a 5m</p>	<p>Seleziona la durata della registrazione video. <i>Nota: si consiglia vivamente di impostare la durata del video notturno su meno di 30 secondi, poiché i LED a infrarossi consumeranno più batteria.</i></p>
<p><b>Formato video</b></p>	<p><b>MP4</b> MOV</p>	<p>MP4 è il formato più comune nel settore dei video e il più compatibile con qualsiasi lettore. Selezionare MOV nel caso in cui alcuni software per fotocamere digitali legacy debbano funzionare con video in formato MOV.</p>
<p><b>Intervallo PIR</b></p>	<p><b>10 secondi,</b> opzionale da 0s a 60m</p>	<p>Selezionare il periodo di tempo più breve che la telecamera attenderà fino a quando non risponderà a qualsiasi successiva attivazione del sensore PIR dopo il primo rilevamento di movimento. Durante l'intervallo selezionato, la fotocamera non scatterà foto/video. Ciò impedisce che la scheda SD si riempia di troppe immagini ridondanti. 0 significa catturare il più velocemente possibile.</p>

		<i>Nota: questa opzione non è valida se la Modalità è impostata su "Time lapse".</i>
<b>Sensibilità PIR</b>	<b>Alta</b> Metà Debole	<p>Seleziona la sensibilità del sensore PIR. La temperatura influisce sulla sensibilità. L'impostazione Alta è adatta quando la temperatura ambiente è calda o se si desidera catturare un soggetto distante o catturarne di più, e l'impostazione Media/Debole è utile nei climi freddi.</p> <p><i>Nota: questa opzione non è valida se la Modalità è impostata su "Time lapse".</i></p>
<b>Sensori di movimenti laterali</b>	<b>Attivato</b> <b>Disabile</b>	<p>Se si seleziona <b>Attivato</b>, verranno attivati i sensori di movimento laterale. Fornisce velocità di scatto più elevate e aiuta a catturare animali in rapido movimento. Quando uno dei due sensori di movimento laterali rileva un movimento, la telecamera si preattiva. Quando l'animale entra nell'area di rilevamento del sensore di movimento centrale, la fotocamera inizierà a scattare foto o registrare video. Seleziona <b>Disabile</b> per risparmiare batteria.</p>
<b>Motion Test</b>		Questa funzione ti aiuta a puntare la fotocamera verso l'area di destinazione. Vedere i dettagli nella

		Sezione 9.2.
<b>Intervallo di tempo</b>	<b>Tempo del primo colpo:</b> hh:mm	Imposta il primo tempo di ripresa dopo l'attivazione della modalità Time Lapse o Ibrido. Se si desidera ottenere le foto in anticipo, si consiglia di impostarlo dopo l'ora corrente.
	<b>Intervallo:</b> opzionale da 3s a 24h	Impostare l'intervallo di tempo. Ha effetto SOLO quando la modalità è impostata come Time Lapse o Ibrido; la fotocamera scatterà automaticamente foto/video in base all'intervallo impostato, indipendentemente dal fatto che il sensore PIR abbia rilevato una qualsiasi selvaggina. È utile quando si osservano animali a sangue freddo come i serpenti, o il processo di fioritura, ecc. <i>Nota: questa opzione non è valida se la modalità è impostata su "Rilevamento di movimento".</i>
<b>Date e Ora</b>	M/G/A hh:mm	M – Mese, D – Giorno, Y – Anno hh – Ora, mm – Minuto Nota: utilizzare il tasto Nota: "SINISTRA/DESTRA" per modificare le impostazioni, utilizzare "SU/GI" per impostare la data e l'ora correnti. Il formato di immissione della data

		potrebbe cambiare. Fare riferimento all'impostazione del parametro "Formato data" a seconda dei casi.
<b>Formato data</b>	G/M/A M/G/A A/M/G	Seleziona il formato della data che verrà visualizzato sullo schermo e in ogni acquisizione.
<b>Formato ora</b>	<b>12h</b> 24h	Seleziona il formato dell'ora che verrà visualizzato sullo schermo e in ogni acquisizione. 12h - AM/PM
<b>Nome della fotocamera</b>	Attivato <b>Disabile</b>	Selezionare <b>Attivato</b> per assegnare una lunghezza di 4 caratteri in lettere maiuscole A-Z, 0-9 per registrare la posizione nelle foto (ad esempio, A123 per Yellow Stone Park). Questo aiuta gli utenti con più fotocamere a identificare la posizione durante la revisione delle foto.
<b>Striscia informativa</b>	<b>Attivato</b> Disabile	Selezionare <b>Attivato</b> per mostrare data, ora, temperatura, fase lunare su ogni acquisizione.
<b>Sovrascrivi loop</b>	Attivato <b>Disabile</b>	Se si seleziona l'opzione <b>Attivato</b> , i file più recenti verranno sovrascritti sui file più vecchi sulla scheda SD quando la scheda SD raggiunge la sua capacità massima. Con l'opzione <b>Disabile</b> selezionata, la fotocamera interromperà l'acquisizione di immagini una volta che la scheda SD raggiunge la

		sua capacità massima.
<b>Ore di funzionamento</b>	<b>Attivato</b> <b>Disabile</b>	Seleziona <b>Attivato</b> se desideri che la videocamera funzioni solo entro un periodo di tempo specifico ogni giorno. Ad esempio, se l'ora di inizio è impostata alle 18:35 e l'ora di fine è alle 8:25, la telecamera funzionerà dalle 18:35 del giorno corrente alle 8:25 del giorno successivo. Al di fuori del periodo di tempo, la fotocamera non si attiverà né scatterà foto/video.
<b>Parola d'ordine</b>	<b>Attivato</b> <b>Disabile</b>	Imposta una password di 4 cifre per proteggere la tua fotocamera da utenti non autorizzati. Se perdi il codice, puoi contattare il servizio clienti per reimpostare la password.
<b>Formato</b>	<b>Sì</b> <b>No</b>	Tutti i file verranno cancellati dopo la formattazione della scheda SD. Si consiglia di formattare la scheda SD se è stata precedentemente utilizzata su altri dispositivi. <b>Attenzione: assicurati che i file desiderati sulla scheda SD siano stati prima backup!</b>
<b>Impostazione di predefinita</b>	<b>Sì</b> <b>No</b>	Se si seleziona Sì, tutte le impostazioni precedenti torneranno ai valori predefiniti del produttore.
<b>Versione</b>	Definito	Visualizza la versione della fotocamera.

## 9. MONTAGGIO E POSIZIONAMENTO

### 9.1. MONTAGGIO

Dopo aver impostato i parametri della videocamera in base alle tue preferenze personali a casa, sei pronto per portarla fuori e e fai scorrere l'interruttore di alimentazione su "ON". Quando si imposta la telecamera per il gioco di scouting o altre applicazioni all'aperto, è necessario assicurarsi di montarla in posizione correttamente e saldamente. Si consiglia di montare la telecamera su un albero robusto con un diametro di circa 15 cm. Per ottenere la qualità dell'immagine ottimale, l'albero dovrebbe trovarsi a circa 5 m di distanza dal luogo da monitorare, con la telecamera posizionata a un'altezza di 0,75-1 m. Inoltre, tieni presente che otterrai i migliori risultati di notte quando il soggetto si trova all'interno della portata del flash ideale, tra 3 m e 20 m dalla fotocamera.

Esistono due modi per montare la fotocamera: utilizzando la cintura in rete regolabile in dotazione o l'attacco per treppiede.

**Utilizzo della tracolla regolabile:** per utilizzare la tracolla della fotocamera, spingere un'estremità della tracolla attraverso le due staffe sul retro della fotocamera. Passare l'estremità del cinturino attraverso la fibbia. Fissare saldamente la cinghia attorno al tronco dell'albero tirando saldamente l'estremità della cinghia in modo che non sia allentata (*Figura 8*).

**Utilizzo con un treppiede:** la telecamera è dotata di una connessione all'estremità inferiore per consentirne il montaggio su un treppiede o altri accessori di montaggio con una vite filettata UNC 1/4-20 standard (*non incluso*).





Figura 8: Montaggio della telecamera

## 9.2. ANGOLO DI RILEVAMENTO E DISTANZA TEST

Per verificare se la telecamera è in grado di monitorare efficacemente l'area scelta, si consiglia di testare preventivamente l'angolo di rilevamento e la distanza dalla telecamera all'area di destinazione. Per eseguire il test:

- Portare la fotocamera in modalità **SET**.
- Premere il tasto MENU, andare su "Motion Test". La fotocamera eseguirà il conto alla rovescia con un ritardo massimo di 60 secondi e sarà pronta a catturare i movimenti. (Nota: il tempo di ritardo può essere inferiore a 60 secondi, a seconda del tempo effettivo di attivazione del sensore di movimento. Il tempo di ritardo è di 60 secondi meno il tempo di accensione).
- Chiudere il coperchio della fotocamera.
- Spostati davanti alla fotocamera in varie posizioni all'interno dell'area in cui ti aspetti che si trovino i tuoi soggetti. Prova diverse distanze e angoli dalla fotocamera.
- Quando il LED indicatore di movimento bianco lampeggia in **ROSSO**, indica che la telecamera è in grado di rilevare la posizione. Tuttavia, se il LED non lampeggia, significa che la posizione si trova oltre il raggio di rilevamento. (Nota: la luce rossa lampeggerà solo quando il movimento rilevato si trova all'interno dell'area di rilevamento del sensore PIR

*centrale. L'angolo di rilevamento del sensore centrale è di 60°. Ciascuno dei sensori laterali ha un angolo di visione di 30°, che viene utilizzato solo per pre-attivare la fotocamera e accelerare la velocità di scatto, non c'è luce ROSSA lampeggiante indipendentemente dal fatto che ciascuno dei sensori laterali rilevi il movimento).*

- In questi test di rilevamento, la fotocamera scattava foto dopo che il movimento era stato catturato. Quando si attiva la fotocamera, lo schermo mostra il numero di volte in cui è stato rilevato un movimento, è possibile rivedere le immagini sullo schermo.

I risultati del test ti aiuteranno a trovare la posizione migliore durante il montaggio e il puntamento della fotocamera. L'altezza da terra per posizionare il dispositivo deve variare con la taglia dell'animale da osservare. In generale, si consigliano 0,9-1,8 metri.

È possibile evitare potenziali falsi trigger dovuti a disturbi della temperatura e del movimento davanti alla telecamera non puntandola verso una fonte di calore o rami di alberi o cespugli nelle vicinanze (soprattutto nelle giornate ventose).

NON installare la telecamera dietro la finestra di vetro poiché non rileverà alcun movimento. Evitare quindi di puntare la fotocamera verso oggetti di vetro.

### **9.3. INIZIA A UTILIZZARE LA FOTOCAMERA**

La fotocamera supporta tre modalità di lavoro, "Rilevamento di movimento", "Time Lapse" e "Ibrido".

(1) Se si imposta la modalità di lavoro della fotocamera su "Rilevamento movimento" nel menu, una volta che si passa alla modalità **ON**, la fotocamera esegue il conto alla rovescia per 30 secondi ed è quindi pronta per entrare in modalità standby (sorveglianza) e acquisire. Qualsiasi movimento rilevato

attiverà l'acquisizione di un'immagine o di un video in base alla sua configurazione stabilita. Assicurarsi di aver letto le descrizioni dei parametri Intervallo PIR e Sensibilità PIR.

(2) Se si imposta la modalità di funzionamento della fotocamera su "time lapse" nel menu, la fotocamera sarà pronta per entrare nella modalità "time lapse" poco dopo aver premuto il pulsante **ON**, quindi scatterà periodicamente le immagini in base al proprio "Intervallo time lapse", indipendentemente dall'impostazione "Intervallo PIR".

(3) Se si imposta la modalità di lavoro della fotocamera su "Ibrido" nel menu, la fotocamera funzionerà secondo le due modalità precedenti.

Prima di lasciare la fotocamera incustodita, verificare quanto segue:

- Le batterie sono inserite con la polarità corretta e il loro livello di potenza è sufficiente?
- La scheda SD ha spazio disponibile sufficiente?
- L'interruttore di alimentazione è in posizione **ON**?

## **10. RIVEDERE FOTO O VIDEO**

Una volta che hai impostato, montato e attivato la tua FOTOCAMERA, ovviamente in seguito vorrai rivedere le immagini che ha catturato per te stesso. La fotocamera memorizza foto e video nella cartella \ DCIM \ 100MEDIA sulla scheda SD. Le foto vengono salvate con nomi di file come DSCF0001.JPG e video come DSCF0001.MP4. I file video MP4 possono essere riprodotti sui lettori multimediali più diffusi, come Windows Media Player, QuickTime, VLC, ecc.

Ci sono molti modi per farlo.

Puoi rivedere direttamente le foto o i video sullo schermo della fotocamera.

Oppure solo in modalità **SET**, puoi collegare il cavo USB incluso per scaricare i file su un computer.

Oppure puoi inserire la scheda SD in un "lettore" di schede SD (non incluso), collegarlo a un computer e sfogliare i file sul computer senza scaricarli.

## 11. SPECIFICHE TECNICHE

Elemento	Descrizione
<b>Modalità operativa</b>	Rilevamento di movimento, Time Lapse e Ibrido
<b>Massimo Dimensione pixel</b>	32MP
<b>lente</b>	f/1,6, FOV=63°, Taglio IR automatico
<b>Flash IR</b>	27m
<b>Schermo a cristalli liquidi</b>	Schermo a colori da 2,4"
<b>Tastiera</b>	6 tasti, 1 interruttore di alimentazione
<b>Memoria</b>	Scheda di memoria standard SD, SDHC o SDXC (Non incluso), capacità massima 512 GB
<b>Risoluzione dell'immagine</b>	32MP, 24MP, 16MP, 8MP, 4MP
<b>Risoluzione video</b>	2304 x 1296P@20fps, 1920 x 1080P@30fps, 1280 x 720P@30fps
<b>Sensibilità PIR</b>	Alta/Metà/Debole
<b>Distanza di rilevamento PIR</b>	27m (sotto i 25°C)
<b>Angolo di rilevamento PIR</b>	To120° totali (mentre i sensori di movimento laterale sono abilitati) Zona centrale: 60°, Lato sinistro: 30°, Lato destro: 30°
<b>Tempo di</b>	ca. 0,1~0,5 secondi

<b>attivazione</b>	(0.1s mentre i sensori di movimento laterale sono abilitati)
<b>Intervallo di attivazione</b>	0 sec.-60 min, Programmabile
<b>Numeri di tiro</b>	1-5
<b>Durata del video</b>	3 sec ~ 5 min., Programmabile
<b>Striscia informativa</b>	Attivato/Disabile
<b>Tempo di operatività</b>	Attivato/Disabile, periodo di lavoro specifico
<b>Parola d'ordine</b>	Codice a 4 cifre
<b>Nome della fotocamera</b>	4-Caratteri (A-Z, 0-9)
<b>Intervallo time lapse</b>	3 secondi ~ 24 ore
<b>Alimentazione elettrica</b>	8 batterie AA da 1,5 V (non incluse)
<b>Durata in modalità standby</b>	8 mesi in stand-by
<b>Standby automatico</b>	Stand-by automatico (modalità di sorveglianza) in 5 minuti mentre nessuna operazione in modalità <b>SET</b>
<b>Allarme batteria scarica</b>	8V - Batteria scarica (le batterie si esauriscono) 9V - La visione notturna non è disponibile in bassa tensione (quasi die)
<b>Interfaccia</b>	Mini-USB, supporto per scheda SD standard, Alimentazione esterna (CC 12V/1A, spina 4,0x1,7mm)
<b>Montaggio</b>	Cinghia, base treppiede (1/4-20)
<b>Impermeabile</b>	IP66

<b>Intervallo operativo di temperatura</b>	-20 ~ 60°C
<b>intervallo di umidità supportato</b>	5% ~ 95%
<b>Certificazioni</b>	FCC & CE & RoHS
<b>Dimensioni del prodotto</b>	15,3 x 11,2 x 7,6 cm

## 12. RISOLUZIONE DEI PROBLEMI

Se la tua fotocamera sembra non funzionare correttamente o se hai problemi con la qualità di foto/video, esegui questi semplici e rapidi controlli:

- Assicurati che la fotocamera sia accesa e nella modalità corretta
- Si prega di formattare la scheda SD nella fotocamera o sostituire la scheda SD, perché la scheda SD è un supporto di memorizzazione e talvolta può dare errori
- Sostituire le batterie se la visione notturna non sembra funzionare come previsto
- Lo sfondo scuro delle immagini notturne è solitamente causato dai forti riflessi degli ostacoli vicini alla telecamera. Per ottenere le migliori immagini notturne, rimuovere il più possibile gli ostacoli vicini (come muri o tronchi d'albero) davanti alla telecamera, oppure regolare la posizione di installazione della telecamera per evitare tali ostacoli.

*(Figura 9)*



*Figura 9: Evita gli ostacoli ravvicinati davanti alla telecamera*

Se la tua unità ha ancora problemi, contattaci fornendoci il tuo numero d'ordine o **controlla il sito Web per determinare che stai utilizzando il firmware più recenti.** Il nostro team ti aiuterà a risolvere i tuoi problemi.

## 1. CONTENIDO DEL PAQUETE

1 x cámara, 1 x correa de montaje,  
1 x manual de instrucciones, 1 x cable mini USB

*Nota: la tarjeta de memoria y las baterías no están incluidas (deben adquirirse por separado).*

## 2. NOTA IMPORTANTE

Funciona con ocho (8) pilas alcalinas o de litio AA de 1,5 V. Recomendamos el uso de pilas Energizer AA de litio en esta cámara para obtener una mayor duración de las pilas.

No mezcle pilas nuevas y viejas. No mezcle diferentes tipos de pilas.

Se pueden usar baterías recargables NiMH AA, pero el voltaje más bajo (generalmente 1,2 V) que producen tiene una vida útil corta, por lo que es posible que deba reemplazarlas con frecuencia.

Retire las pilas cuando la cámara NO esté en uso.

Requiere una tarjeta de memoria SDHC / SDXC de tamaño estándar (capacidad máxima de 512 GB, clase 10). Recomendamos utilizar tarjetas de memoria SanDisk SDHC Class10 de 32 GB en la cámara para obtener la mejor relación calidad-precio.

**Antes del primer uso, formatee su tarjeta SD en la cámara utilizando "Formato" en la configuración del menú.**



## **3. INTRODUCCIÓN**

### **3.1. ACERCA DE LA CÁMARA**

La cámara de caza A262 es una nueva generación de cámara de exploración digital, que se activa por cualquier movimiento cerca de su ubicación gracias a la detección de movimiento mediante sensor infrarrojo pasivo (PIR) altamente sensible para luego tomar fotografías de alta calidad (hasta a fotos fijas de 32 MP), o clips de video 1296P 20fps o 1080P 30fps.

La cámara cuenta con la nueva tecnología de imagen ultra clara e innovadora. La cámara incluye mejoras de software completamente nuevas así como un sistema tecnológico de iluminación inteligente, tecnología de reducción de desenfoque, reducción automática de ruido y tecnología de exposición dinámica para proporcionar una calidad de imagen de alta resolución, detección multizona, tecnología preactivada y arranque rápido para ofrecer una tiempo de activación rápido de 0,1 s y un tiempo de recuperación de 0,5 s. La cámara consume muy poca energía (menos de 0,1 mA) en estado de espera (vigilancia). Puede ofrecer 8 meses de tiempo de funcionamiento en espera cuando el dispositivo funciona con ocho pilas AA de 1,5 V.

### **3.2. PRINCIPALES CARACTERÍSTICAS**

- Imágenes de alta calidad (fotos fijas de hasta 32 MP) o videoclips Full HD H.264. La cámara está equipada con un sensor CMOS avanzado, una lente premium de gran apertura  $f/1.6$  y tiene un algoritmo exclusivo de optimización de imágenes; puede tomar fotos o videos claros incluso en ambientes oscuros o con poca luz.
- Visión nocturna clara, alcance del flash de hasta 27 m. La cámara está equipada con 36 LEDs infrarrojos de alto

- rendimiento sin brillo de 940 nm que funcionan como un flash (invisible para los ojos humanos y animales).
- Fácil de usar / programar con botones de operación bien diseñados y pantalla LCD a color de 2.4 pulgadas incorporada, fácil de revisar imágenes y videos en la pantalla.
  - 3 modos de trabajo: Detección de movimiento, Time lapse e Híbrido.
  - Tiempo de activación rápido aprox. 0,1 ~ 0,5 segundos (tecnología preactivada con 3 sensores PIR), tiempo de recuperación rápido de menos de 0,5 segundos, gran distancia de disparo hasta los 27 m.
  - Etiquetado de información en cada captura: fecha, hora, temperatura y fase lunar.
  - Horas de funcionamiento, sistema de grabación en bucle, time lapse, protegido con contraseña.
  - Diseñado para resistir bajo cualquier condición climatológica
    - certificación IP66 Impermeable diseñado para uso en exteriores y resistente a la lluvia y la nieve. Rango de temperatura de funcionamiento -20 ~ 60°C.
  - Admite tarjeta de memoria SD / SDHC / SDXC, capacidad máxima de 512 GB (vendida por separado).
  - Vida útil extremadamente larga de la batería en el campo de hasta 8 meses en estado de espera con 8 baterías AA de 1,5 V (vendida por separado).

#### **4. COMPONENTES Y CONTROLES**

La cámara está equipada con 36 LED infrarrojos de alta eficiencia, indicadores LED, Lente óptica, sensores PIR y orificios de bloqueo en la vista frontal (*Figura 1*).

**SUGERENCIA:** Durante el uso, la lente PIR negra puede estar sucia o tener rayones, sin embargo, no afecta el rendimiento debido al diseño de confiabilidad. Si debe limpiarlo, intente

soplarlo o quitar la suciedad muy suavemente. No intente limpiarlo, lo que puede causar más rasguños.

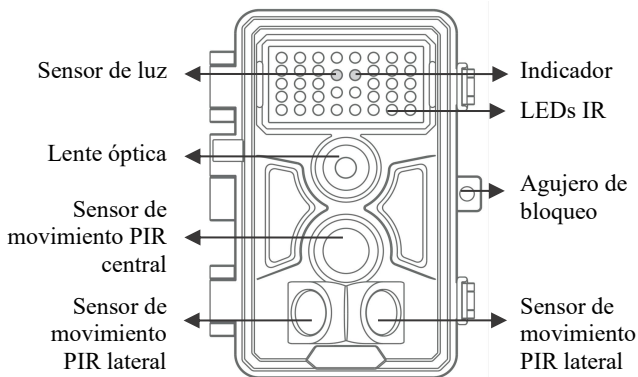


Figura 1: Vista frontal

La cámara proporciona las siguientes conexiones para dispositivos externos: puerto mini USB y ranura para tarjeta SD, etc. (Figura 2).

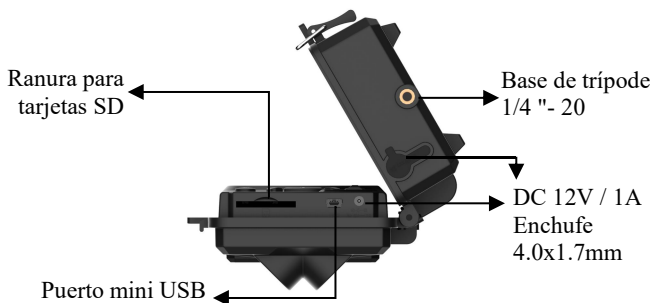
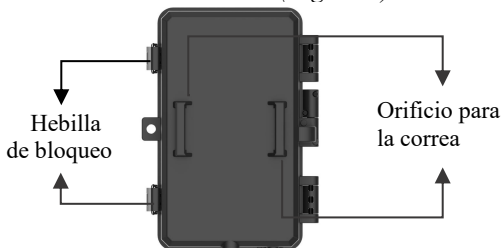


Figura 2: Vista inferior

La cámara posee dos orificios para la correa en la parte posterior. La correa se puede pasar por los orificios de la correa y sujetarse firmemente alrededor del tronco del árbol tirando firmemente del extremo de la correa (*Figura 3*).



*Figura 3: Vista derecha / trasera*

La cámara incorpora una pantalla LCD de 2,4 pulgadas, que se puede utilizar para revisar las imágenes o vídeos y la visualización de menús, y un diseño de teclado único para facilitar la programación y el funcionamiento, con soporte para 8 pilas AA (*Figura 4*).



*Figura 4: Vista interior*



Figura 5: Botones de operación y acceso directo

Se utiliza un interruptor de encendido de 3 vías para seleccionar los modos de funcionamiento principales: **OFF**, **ON**, and **SET** (Figura 5).

Una interfaz de tecla de control con seis teclas se utiliza principalmente en el modo **SET** para seleccionar funciones y parámetros operativos. Como se muestra en la Figura 5, las teclas también pueden realizar una segunda función (operaciones de acceso directo en el modo SET) además de su función principal.

## 5. INSTALACIÓN DE LAS BATERÍAS Y LA TARJETA SD

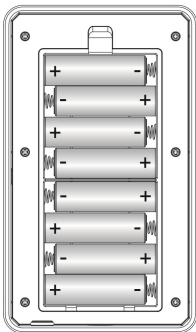
Antes de usar su cámara, primero deberá introducir un juego de baterías e introducir una tarjeta SD. Aunque eso solo le llevará un minuto, hay algunas notas importantes sobre las baterías y las tarjetas SD que debe tener en cuenta, **así que tómese el tiempo para leer las siguientes instrucciones y precauciones:**

### 5.1. INSTALACION DE BATERIAS

Después de abrir la tapa del compartimento de la batería, verá que la cámara tiene ocho ranuras para la batería (Figura 6). Se deben introducir ocho baterías completas para que la cámara funcione. Asegúrese de introducir cada batería respetando la

polaridad correcta (extremo negativo o "plano" contra el resorte largo de cada ranura de la batería).

En el modo **SET**, cuando el nivel de carga de las baterías es bajo, el mensaje "**Batería baja**" aparecerá en la pantalla, por favor sustituya las baterías. Si el indicador de la batería se muestra en **ROJO**, esto significa que las baterías no son capaces de activar el parpadeo de los LEDs IR por la noche, sin embargo las baterías siguen funcionando durante el día. Si desea continuar con la visión nocturna, por favor sustituya las baterías.



*Figura 6: Instalación de las baterías*

## **5.2. INTRODUCIR LA TARJETA SD**

Inserte la tarjeta SD (con el interruptor de encendido de la cámara en la posición **OFF**) antes de comenzar a usar la cámara. No inserte ni extraiga la tarjeta SD cuando el interruptor de encendido esté en la posición **ON** o **SET**. La cámara utiliza la tarjeta de memoria estándar para guardar fotos (en formato .jpg) y / o videos (en formato .mp4). Se admiten tarjetas SD y SDHC (alta capacidad) / SDXC hasta una capacidad máxima de 512 GB (*Figura 7*).



*Figura 7: Introducción de la tarjeta SD*

A continuación se describe cómo introducir y quitar la tarjeta SD:

- Inserte la tarjeta SD en la ranura con el lado de la etiqueta hacia arriba. Un sonido de "clic" indica que la tarjeta se introdujo correctamente. Si el lado equivocado de la tarjeta está hacia arriba, no podrá insertarla sin forzar, solo hay una forma correcta de introducirla. Si la tarjeta SD no está instalada correctamente, el dispositivo no mostrará el icono de tarjeta SD en la pantalla en el modo **SET**. Se recomienda formatear la tarjeta SD mediante la opción del menú "Formato" de la cámara antes del primer uso, especialmente cuando se ha utilizado previamente la tarjeta en otros dispositivos.
- Para sacar la tarjeta SD, simplemente empuje suavemente la tarjeta hacia el interior (no intente sacarla sin presionar primero). La tarjeta se libera de la ranura y luego podrá extraerla cuando escuche el clic. Asegúrese de que la cámara esté apagada antes de insertar o quitar tarjetas SD o baterías.

## **6. CÓMO USAR LA CÁMARA**

Una vez que haya preparado su cámara instalando correctamente las pilas y una tarjeta SD, podrá sacarla al exterior, atarla a un árbol (o no - según el uso que desee darle), encenderla **ON** y marcharse - y puede que consiga algunas fotos estupendas que son exactamente lo que quería. Sin embargo, le recomendamos encarecidamente que primero experimente con ella algún tiempo en interiores con este manual y su cámara

hasta que se familiarice con ella, sus funciones y teclas de control. Si no hay nada más, probablemente querrá al menos configurar la fecha y la hora para que la cámara deje la marca de agua (o no, es su opción) en sus fotos a medida que se toman, aprender a configurar la cámara para disparar clips de vídeo en lugar de fotografías si lo desea, y leer algunos consejos sobre cómo montarla en un árbol.

## 7. LOS MODOS OFF, ON Y SET

La cámara tiene tres modos básicos de funcionamiento:

- Modo **OFF**: Interruptor de encendido en la posición **OFF** .
- Modo **ON**: Interruptor de encendido en la posición **ON** .
- Modo **SET**: Interruptor de encendido en la posición **SET** (la pantalla está encendida).

### 7.1. MODO OFF

El modo **OFF** es el modo "seguro" cuando hay que realizar alguna acción, por ejemplo, sustituir la tarjeta SD o las pilas, o transportar el dispositivo. Y, por supuesto, cuando la vaya a guardar o no vaya a utilizar la cámara, la pondrá en **OFF**. Tenga en cuenta que en el modo **OFF** la cámara consume poca energía. Recomendamos sacar las pilas del compartimento si la cámara no se va a utilizar durante mucho tiempo.

### 7.2. MODO ON

En cualquier momento después de haber insertado las baterías y la tarjeta SD, puede encender la cámara. Cuando el interruptor de encendido se mueve a la posición central, la cámara entrará en el modo **ON** (Vigilancia). Si el modo está configurado como "Detección de movimiento", la cámara hará una cuenta regresiva de 30 segundos de retraso y luego estará lista para capturar imágenes. Si el modo está configurado como "Time lapse", no habrá una cuenta regresiva de 30 segundos y la



cámara estará lista para ingresar a Lapso de tiempo.

Una vez en el modo **ON**, no se necesitan ni son posibles controles manuales (las teclas de control no tienen ningún efecto). La cámara tomará fotos o videos automáticamente (de acuerdo con su configuración de parámetros).

Puede mover el interruptor de encendido directamente del modo **OFF** al modo **ON**, o detenerse en la posición **SET** primero para cambiar una o más configuraciones, luego mover el interruptor a **ON** una vez que haya terminado de hacerlo.

### **7.3. MODO SET**

En el modo **SET** puedes comprobar y cambiar los ajustes de la cámara con la ayuda de su pantalla integrada. Estos ajustes, que se encuentran en el menú pulsando la tecla **MENÚ**, le permiten cambiar la resolución de la foto o del vídeo, el intervalo entre fotos, activar la marca de agua de la hora, etc. (*Ver más en el apartado 8 AJUSTES AVANZADOS*).

Al mover el interruptor de encendido a la posición **SET**, se encenderá la pantalla y verá una pantalla de información que muestra cuántas imágenes se han tomado, el nivel de la batería, el modo de cámara o video, etc.

Atención: En el modo **SET**, la cámara entrará automáticamente en el modo de **ON** (**VIGILANCIA**) si no hay ninguna acción (pulsación de teclas) en 5 minutos. A continuación, la cámara funcionará según sus ajustes en el menú.

En el modo **SET**, puede conectar la cámara al puerto USB de un ordenador para descargar sus imágenes.

### ***Funciones / teclas de acceso directo***

Como se mencionó anteriormente en "Partes y controles", los

teclados tienen funciones secundarias de "atajos" cuando la cámara se cambia al modo **SET**:

- Presione la tecla **ARRIBA** para configurar rápidamente la cámara para grabar videoclips.
- Presione la tecla **ABAJO** para configurar rápidamente la cámara para tomar fotos fijas.
- Presione la tecla **DERECHA** para activar manualmente el obturador. Esto es útil para probar la cámara. El contador de "número de imágenes tomadas" en la parte superior derecha de la pantalla aumentará en uno.
- Presione la tecla **OK** para reproducir. Luego presione la tecla **ARRIBA** o **ABAJO** para navegar por la foto o video del historial si lo desea. Finalmente presione la tecla **OK** para salir de la reproducción.

## 8. AJUSTES AVANZADOS

La cámara cuenta con configuraciones predeterminadas del fabricante. Puede cambiarlas para satisfacer sus necesidades. Asegúrese de que la cámara esté en el modo **SET**. Una vez que la pantalla de la cámara esté encendida, presione la tecla **MENÚ** para acceder / salir del menú. Presione la tecla **ARRIBA** / **ABAJO** para mover el marcador, presione la tecla **IZQUIERDA** / **DERECHA** para cambiar la configuración y presione la tecla **OK** para confirmar el cambio. Recuerde siempre presionar **OK** para guardar el cambio. De lo contrario, perderá la nueva configuración.

Parámetro	Ajustes (Negrita = predeterminad o)	Descripción
Modo	Detección de movimiento,	En el modo de <b>Detección de movimiento</b> , la cámara tomaría fotos o

	Time lapse, Híbrido	videos una vez activada. En el modo de <b>Time lapse</b> , la cámara tomaría fotos o videos periódicamente de acuerdo con el parámetro "Intervalo de Time lapse" preestablecido. El modo <b>Híbrido</b> incluye los dos anteriores.
<b>Foto o Video</b>	<b>Cámara,</b> Vidéo, Cámara + Vidéo	Seleccione si desea tomar fotografías o videoclips.
<b>Tamaño foto</b>	32MP 24MP 16MP 8MP 4MP	Seleccione la resolución deseada para las fotos. Una resolución más alta produce fotos de mejor calidad, pero crea archivos más grandes que ocupan más espacio en la tarjeta SD. Los archivos más grandes requieren más tiempo para escribir en la tarjeta SD, lo que ralentizará ligeramente la velocidad del obturador.
<b>Ráfaga de fotos</b>	<b>01, 02, 03,</b> 04, 05	Seleccione la cantidad de fotos tomadas en secuencia por disparador.
<b>Tamaño vídeo</b>	1296P <b>1080P</b> 720P	Seleccione la resolución de video (píxeles por cuadro). Una resolución más alta produce videos de mejor calidad, pero crea archivos más grandes que ocupan más capacidad de la tarjeta SD.
<b>Tiempo vídeo</b>	<b>10 segundos,</b> opcional de 3 segundos a 5 minutos	Seleccione la duración de la grabación de video. <i>Nota: Se recomienda encarecidamente establecer la duración del video</i>

		<i>nocturno en menos de 30 segundos, ya que los LED de infrarrojos consumirán más energía de la batería.</i>
<b>Formato de video</b>	<b>MP4 MOV</b>	MP4 es el formato más habitual en la industria del video, y el más compatible con cualquier reproductor. Seleccione MOV en caso de que algún software de cámara digital heredado deba funcionar con videos en formato MOV.
<b>Intervalo PIR</b>	<b>10 segundos,</b> opcional de 0 segundos a 60 minutos	<p>Seleccione el período de tiempo más corto que esperará la cámara hasta que responda a cualquier activación posterior del sensor PIR después de que se detecte movimiento por primera vez. Durante el intervalo seleccionado, la cámara no tomará fotos / videos. Esto evita que la tarjeta SD se llene con demasiadas imágenes redundantes. 0 significa capturar lo más rápido posible.</p> <p><i>Nota: esta opción no es válida si el <b>Modo</b> está configurado como " Time lapse ".</i></p>
<b>Sensibilidad PIR</b>	<b>Alto Medio Bajo</b>	<p>Seleccione la sensibilidad del sensor PIR. La temperatura afecta la sensibilidad. El ajuste Alto es adecuado cuando la temperatura ambiente es cálida o si desea capturar un objeto distante o capturar más, y el ajuste Medio / Bajo es útil en climas fríos.</p> <p><i>Nota: esta opción no es válida si el <b>Modo</b> está configurado como "Time</i></p>

		<i>lapse"</i> .
<b>Detectores de movimiento lateral</b>	<b>Sí No</b>	Si selecciona <b>Sí</b> , se activarán los sensores de movimiento laterales. Aporta velocidades de disparo más rápidas y ayuda a capturar animales que se mueven rápidamente. Cuando cualquiera de los dos sensores de movimiento laterales detecta movimiento, la cámara se preactiva. Mientras el animal entra al área de detección del sensor de movimiento central, la cámara comenzará a tomar fotos o videos. Seleccione <b>No</b> para ahorrar batería.
<b>Prueba de movimiento</b>		Esta función le ayuda a apuntar la cámara a su área objetivo. Consulte los detalles en la Sección 9.2.
<b>Intervalo de time lapse</b>	<b>Tiempo del primer disparo:</b> hh:mm	Establezca la hora de disparo más temprana después de activar el <b>modo</b> Time lapse o Híbrido. Si desea obtener fotos antes, se recomienda establecerla más tarde que la hora actual.
	<b>Intervalo:</b> opcional de 3 segundos a 24 horas	Establecer intervalo de lapso de tiempo. Tiene efecto SOLO cuando el <b>Modo</b> está configurado como Time lapse o Híbrido, la cámara tomará fotos/videos automáticamente de acuerdo con el intervalo establecido, independientemente de si el sensor PIR ha detectado algún juego. Esto es útil cuando se observan animales de sangre fría como serpientes, o el proceso de floración, etc.

		<i>Nota: Esta opción no es válida si el Modo está configurado como "Detección de movimiento".</i>
<b>Fecha y Hora</b>	M/D/A hh:mm	M - mes, D - día, Y - año hh - Hora, mm - Minuto Nota: Use la tecla " <b>IZQUIERDA</b> / <b>DERECHA</b> " para cambiar la configuración, use " <b>ARRIBA</b> / <b>ABAJO</b> " para establecer la fecha y hora actuales. El formato de entrada de la fecha puede cambiar. Consulte la configuración del parámetro " <b>Formato de fecha</b> " según corresponda.
<b>Formato de fecha</b>	D/M/A M/D/A A/M/D	Seleccione el formato de fecha que se mostrará en la pantalla y en cada captura.
<b>Formato de hora</b>	<b>12h</b> 24h	Seleccione el formato de fecha que se mostrará en la pantalla y en cada captura. 12h - AM / PM
<b>Nombre de la cámara</b>	<b>Sí</b> <b>No</b>	Seleccione <b>Sí</b> para asignar una longitud de 4 caracteres en forma de mayúsculas A-Z, 0-9 para registrar la ubicación en las fotos (por ejemplo, A123 para Yellow Stone Park). Esto ayuda a los usuarios de varias cámaras a identificar la ubicación cuando revisan las fotos.
<b>Tira de información</b>	<b>Sí</b> <b>No</b>	Seleccione <b>Sí</b> para mostrar la fecha, la hora, la temperatura y la fase lunar en cada captura.

<b>Sobreescritura en bucle</b>	<p style="text-align: center;">Sí No</p>	<p>Si selecciona la opción <b>Sí</b>, los archivos más nuevos se sobrescribirán sobre los más viejos en la tarjeta SD cuando ésta alcance su máxima capacidad. Con la opción <b>No</b> seleccionada, la cámara dejará de capturar imágenes una vez que la tarjeta SD alcance su máxima capacidad.</p>
<b>Horas de operación</b>	<p style="text-align: center;">Sí No</p>	<p>Seleccione <b>Sí</b> si solo desea que la cámara funcione dentro de un período de tiempo específico todos los días. Por ejemplo, si la hora de inicio se establece a las 18:35 y la hora de finalización a las 8:25, la cámara funcionará desde las 18:35 del día actual hasta las 8:25 del día siguiente. Fuera del período de tiempo, la cámara no se activará ni tomará fotos / videos.</p>
<b>Contraseña</b>	<p style="text-align: center;">Sí No</p>	<p>Configure una contraseña de 4 dígitos para proteger su cámara de usuarios no autorizados. Si pierde el código, puede ponerse en contacto con el servicio de atención al cliente para restablecer la contraseña.</p>
<b>Formato</b>	<p style="text-align: center;">Sí No</p>	<p>Todos los archivos se borrarán después de formatear la tarjeta SD. Le recomendamos que formatee la tarjeta SD si ha sido utilizada previamente en otros dispositivos. <b><i>Precaución: asegúrese de que los archivos deseados en la tarjeta SD han sido respaldados primero!</i></b></p>

<b>configuración por defecto</b>	<b>Sí</b> <b>No</b>	Si selecciona <b>Sí</b> , todos los ajustes anteriores volverán a los valores predeterminados del fabricante.
<b>Versión</b>	Definido	Muestra la versión de la cámara.

## 9. MONTAJE Y COLOCACIÓN

### 9.1. MONTAJE

Una vez que haya configurado los parámetros de la cámara según sus preferencias personales en casa, ya está listo para sacarlo afuera y deslizar el interruptor de encendido a "ON". Al configurar la cámara para juegos de exploración u otras aplicaciones al aire libre, debe asegurarse de montarla en su lugar de manera correcta y segura. Recomendamos montar la cámara en un árbol resistente con un diámetro de unos 15 cm. Para obtener la calidad de imagen óptima, el árbol debe estar a unos 5 metros del lugar a monitorear, con la cámara colocada a una altura de 0,75-1 metros. Además, tenga en cuenta que obtendrá los mejores resultados por la noche cuando el sujeto se encuentre dentro del rango de flash ideal, de 3 a 20 metros de la cámara.

Hay dos formas de montar la cámara: usando el cinturón de tela ajustable provisto o la toma del trípode.

**Uso de la correa ajustable:** para usar la correa de la cámara, empuje un extremo de la correa a través de los dos soportes en la parte posterior de la cámara. Pase el extremo de la correa a través de la hebilla. Sujete la correa de forma segura alrededor del tronco del árbol tirando firmemente del extremo de la correa para que no quede holgura (*Figura 8*). *Nota: no es posible utilizar un cable de bloqueo (en la parte superior del soporte) y la correa al mismo tiempo.*



**Uso con trípode:** La cámara está equipada con una conexión en el extremo inferior para permitir su montaje en un trípode u otros accesorios de montaje con un tornillo de rosca estándar UNC 1 / 4-20 (*no incluido*).



Figura 8: Montaje de la cámara

## 9.2. PRUEBA DE ÁNGULO Y DISTANCIA DE DETECCIÓN

Para probar si la cámara puede monitorear efectivamente el área elejida, se recomienda probar antes el ángulo de detección y la distancia de la cámara a la zona objetivo. Para realizar la prueba:

- Cambie la cámara al modo **SET**.
- Presione el botón **MENÚ**, vaya a "Prueba de movimiento". La cámara hará una cuenta atrás con un retardo máximo de 60 segundos y estará lista para capturar movimientos. (*Nota: el tiempo de retardo puede ser inferior a 60 segundos, dependiendo del tiempo real en que se activará el sensor de movimiento. El tiempo de retardo es de 60 segundos menos el tiempo de encendido*).
- Cierre la tapa de la cámara.
- Realice movimientos frente a la cámara en varias posiciones dentro del área donde espera que estén el juego o los sujetos. Pruebe diferentes distancias y ángulos de la cámara.
- Cuando el LED indicador de movimiento blanco parpadea en

**ROJO**, indica que la cámara puede detectar la posición. Sin embargo, si el LED no parpadea, significa que la posición se encuentra fuera del rango de detección. *(Nota: la luz roja parpadeará solo cuando el movimiento detectado esté dentro del área de detección del sensor PIR central. El ángulo de visión de detección del sensor central es de 60°. Cada uno de los sensores laterales tiene un ángulo de visión de 30°, que es solo utilizado para pre-activar la cámara y acelerar la velocidad de disparo, no hay luz ROJA parpadeando independientemente de que cada uno de los sensores laterales detecte movimientos).*

- En estas pruebas de detección, la cámara realizaría fotografías una vez capturado el movimiento. Cuando active la cámara, la pantalla muestra la cantidad de veces que se detectó movimiento, puede revisar las imágenes en la pantalla.

Los resultados de sus pruebas le ayudarán a encontrar la mejor ubicación al montar y apuntar la cámara. La altura desde el suelo para colocar el dispositivo debe variar con el tamaño del animal que se desea observar. En general, se recomiendan 0,9-1,8 metros.

Para evitar falsas activaciones, trate de alejar la cámara de ramas o arbustos que puedan interferir en la activación por presencia de movimiento así como de ciertas fuentes de calor (especialmente en días de mucho viento).

NO instale la cámara detrás de la ventana de vidrio ya que no detectará ningún movimiento. Evite pues colocar la cámara hacia objetos de vidrio.

### **9.3. ENCENDIDO DE LA CÁMARA**

La cámara admite tres modos de trabajo, "Detección de movimiento", "Time lapse" e "Híbrido".

(1) Si configura el modo de trabajo de la cámara como "Detección de movimiento" en el menú, una vez que cambia al modo **ON**, la cámara realiza una cuenta atrás de 30 segundos y luego estará lista para entrar en modo de espera (vigilancia) y capturar. Cualquier movimiento que sea detectado activará la captura de una imagen o video según su configuración establecida. Asegúrese de haber leído las descripciones de los parámetros de Intervalo PIR y Sensibilidad PIR.

(2) Si configura el modo de funcionamiento de la cámara como "Time lapse" en el menú, una vez que cambie al modo **ON**, la cámara estará lista para entrar en el modo "Time Lapse", luego tomará imágenes periódicamente de acuerdo con su ajuste preestablecido "Intervalo de time lapse", independientemente de la configuración de "Intervalo PIR".

(3) Si configura el modo de trabajo de la cámara como "Híbrido" en el menú, la cámara funcionará de acuerdo con los dos modos anteriores.

Antes de dejar la cámara desatendida, verifique lo siguiente:

- Las pilas están insertadas con la polaridad correcta y su nivel de potencia es suficiente?
- Tiene la tarjeta SD suficiente espacio disponible?
- Está el interruptor de encendido en la posición **ON**?

## **10. REVISAR FOTOS O VIDEOS**

Una vez que haya configurado, montado y activado su CÁMARA, por supuesto más tarde querrá revisar las imágenes que ha capturado para usted. La cámara almacena fotos y videos en la carpeta \ DCIM \ 100MEDIA en la tarjeta SD. Las fotos se guardan con nombres de archivo como DSCF0001.JPG y videos como DSCF0001.MP4. Los archivos de video MP4 se pueden reproducir en los reproductores multimedia más populares, como Windows Media Player, QuickTime, VLC, etc.

Hay varias formas de hacerlo.

Puede revisar directamente las fotos o videos en la pantalla de la cámara.

O solo en el modo **SET**, puede conectar el cable USB incluido para descargar los archivos a una computadora.

O puede colocar la tarjeta SD en un "lector" de tarjetas SD (no incluido), conectarlo a una computadora y explorar los archivos en la computadora sin descargar.

## 11. ESPECIFICACIONES TÉCNICAS

Elemento	Descripción
<b>Working Mode</b>	Detección de movimiento, Time lapse e Híbrido
<b>Max. Tamaño de píxel</b>	32MP
<b>Lente</b>	f/1.6, FOV = 63°, Corte IR automático
<b>Flash IR</b>	27m
<b>Pantalla LCD</b>	Pantalla a color de 2,4 "
<b>Teclado</b>	6 teclas, 1 interruptor de encendido
<b>Memoria</b>	Tarjeta de memoria estándar SD, SDHC o SDXC (No incluido), capacidad máxima de 512 GB
<b>Resolución de imagen</b>	32MP, 24MP, 16MP, 8MP, 4MP
<b>Resolución de video</b>	2304 x 1296P@20fps, 1920 x 1080P@30fps, 1280 x 720P@30fps
<b>Sensibilidad PIR</b>	Alto/Medio/Bajo

<b>Distancia de detección PIR</b>	27m (por debajo de 25°C)
<b>Ángulo de detección PIR</b>	Total 120° (mientras los sensores de movimiento lateral están habilitados) Zona central: 60°, Lado izquierdo: 30°, Lado derecho: 30°
<b>Tiempo de activación</b>	Aprox. 0,1 ~ 0,5 segundos (0,1 s mientras los sensores de movimiento lateral están habilitados)
<b>Intervalo de activación</b>	0 s-60 min, programable
<b>Números de fotografías</b>	1-5
<b>Duración del video</b>	3 segundos ~ 5 minutos, programable
<b>Tira de información</b>	Sí/No
<b>Tiempo de funcionamiento</b>	Sí/No, período de tiempo de trabajo específico
<b>Contraseña</b>	Código de 4 dígitos
<b>Nombre de la cámara</b>	4 caracteres (A-Z, 0-9)
<b>Intervalo de time lapse</b>	3 segundos ~ 24 horas
<b>Fuente de alimentación</b>	8 pilas AA de 1,5 V (no incluidas)
<b>Duración en modo standby</b>	8 meses
<b>Standby automático</b>	Auto Stand-by (modo de vigilancia) en 5 minutos mientras no hay operación en modo <b>SET</b>

<b>Alarma de batería baja</b>	8V - Batería baja (las baterías se agotan) 9V - La visión nocturna no está disponible cuando la batería es baja (a punto de agotarse)
<b>Interfaz</b>	Conexión Mini-USB, ranura para tarjeta SD, Alimentación externa (DC 12V / 1A, enchufe 4.0x1.7mm)
<b>Montaje</b>	Correa, base de trípode (1 / 4-20)
<b>Impermeable</b>	IP66
<b>Rango de temperature de funcionamiento</b>	-20 ~ 60°C
<b>Intervalo de humedad soportada</b>	5% ~ 95%
<b>Certificaciones</b>	FCC & CE & RoHS
<b>Dimensiones del producto</b>	15,3 x 11,2 x 7,6 cm

## 12. RESOLUCIÓN DE PROBLEMAS

Si su cámara parece no funcionar correctamente o si tiene problemas con la calidad de la foto / video, realice estas verificaciones simples y rápidas:

- Asegúrese de que la cámara esté encendida y en el modo correcto
- Formatee la tarjeta SD en la cámara o reemplace la tarjeta SD, ya que la tarjeta SD es un medio de almacenamiento y, a veces, puede ser dar errores
- Sustituya las baterías si la visión nocturna parece no funcionar como se esperaba
- El fondo oscuro de las imágenes nocturnas suele estar causado por los fuertes reflejos de los obstáculos cercanos a

la cámara. Para obtener la mejor imagen nocturna, elimine los obstáculos cercanos (como paredes o troncos de árboles) delante de la cámara en la medida de lo posible, o ajuste la posición de instalación de su cámara para evitar estos obstáculos (Figura 9)



*Figura 9: Evite los obstáculos de primer plano frente a la cámara*

Si su unidad aún tiene problemas, comuníquese con nosotros proporcionándonos su número de pedido o **consulte el sitio web para determinar si está utilizando el firmware más recientes.** Nuestro equipo le ayudará a solucionar sus problemas.