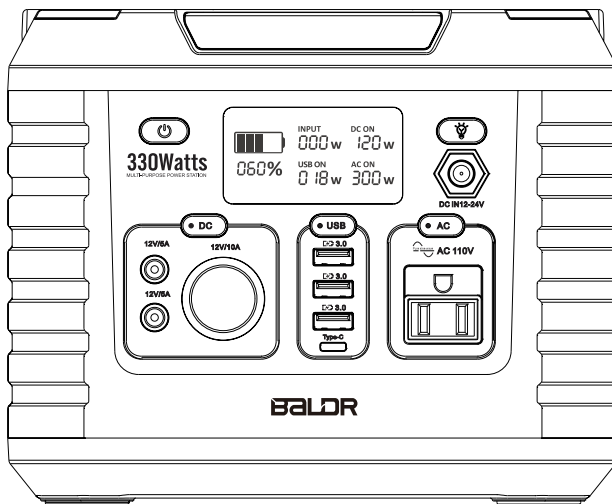


BALDR 330

USER MANUAL

RECOMMENDED TO FULLY CHARGE BALDR 330 BEFORE USE



GENERAL SPECIFICATIONS

The BALDR 330 is a portable battery pack with the ability to supply 330W of pure sine wave AC power via the onboard AC output. Additionally, The BALDR 330 is able to support USB quick charging via the onboard 1 x USB-C port and 3 x USB-A ports. Overall storage capacity is 288Wh of energy.

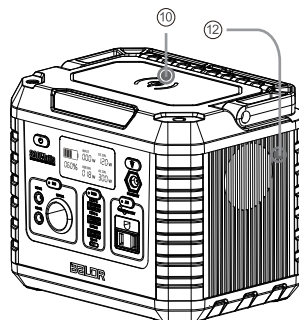
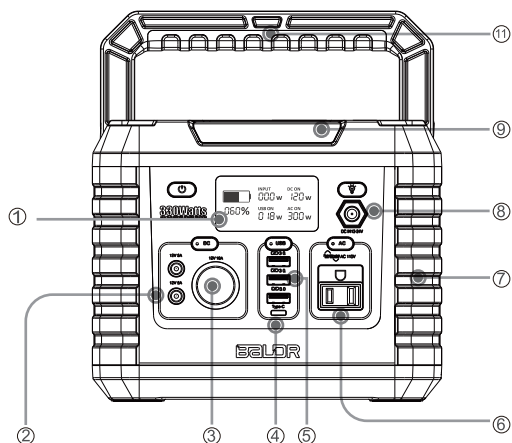
Capacity	288.6Wh
Cell Type	18650
Cell Chemistry	Lithium-ion
Dimensions	L8"xW 6"xH6.5"(L204 x W154 x H164mm)
Weight	7.28 lbs (3.3 kg)
Life Expectancy	500 cycles to 85% capacity typical (depending on use and care)
Charging Time	Fully charged 5 to 7 hours
Shelf Life	Charge every 3 months (fully charged before storage)
Input, 8mm Charging Port	12-24V, up to 4A (Max 52W)
Output AC(Output, pure sine wave)	110V+/-10%, 60Hz (330W Rated, 700W Surge)
Output USB-A (x 3)	5V,9V,12V, up to 3A, (Max 54W total,with QC3.0 protocol)
Output USB-C (x 1)	5V,9V,12V,15V,20V, up to 3A, (Max 60W, with USB-PD protocol)
Output DC (x 2)	5521 type, 12V/5A
Output Cigarette lighter	12V/10A
Wireless Charger	5W
LED Light Power	2W
Operating / Storage Altitude	up to 6562 ft. (2000m)
Operating / Storage Maximum Humidity	up to 75% non-condensing
Operating Temp	14 to 104°F (-10 to 40°C)
Charging Temp	32 to 113°F (0 to 45°C)
Storage Temp	-4 to 113°F (-20 to 45°C)

▲ WARNINGS

To ensure safe operation and service of the meter, follow these instructions. Failure to observe these warnings can result in severe injury or death.

- **DO NOT** use BALDR 330 in excess of its output rating. Overload outputs above rating may result in a risk of fire or injury to persons, even though we have built-in overload protection.
- **DO NOT** use BALDR 330 or AC Wall plug power adapter, if it is damaged or has been modified. Damaged or modified batteries may exhibit unpredictable behavior resulting in fire, explosion, or risk of injury.
- **DO NOT** subject to vibration, impacts, or drops. Secure BALDR 330 during transport. The housing may not show signs of damage, but internal components may have been compromised. It is advisable to replace it if any such severe events occur.
- **DO NOT** expose BALDR 330 to moisture, rain, or snow.
- **DO NOT** charge, use or store BALDR 330 in a bathroom or in an area exposed to rain or moisture.
- **DO NOT** leave children or the persons, who with reduced physical/sensory or mental capabilities/or lack of experience and knowledge, along with BALDR 330 unless they have been given supervision or instruction concerning use of it by a person responsible for their safety.
- **DO NOT** attempt to repair BALDR 330 or AC Wall plug power adapter. There are no user-serviceable components inside.
- **DO NOT** handle BALDR 330 with wet hands.
- **DO NOT** place BALDR 330 on its side or upside down while in use or in storage.
- If rust, odor, overheating, or other abnormal circumstance are observed, stop using and contact **BALDR** customer service.
- Children should be supervised to ensure that they **DO NOT** play with the BALDR 330 alone.
- The BALDR 330 is only used for emergency power station, it cannot replace the standard AC or DC power of household appliances or digital products.
- Keep away from high voltage electrical fields.
- Risk of fire and burns, **DO NOT** open, crush, heat above 113°F (45°C) or incinerate. Follow all instructions.
- Use of a power supply, charger, or cable not recommended or sold by portable battery manufacturer may result in a risk of fire or injury to persons.
- Should fluid from inside of BALDR 330 come in contact with your skin or clothing, wash the affected areas with tap water.
- The accessories included in the box should only be used with the BALDR 330.
- **KEEP THIS PRODUCT AWAY FROM PETS.**

FEATURE DETAILS

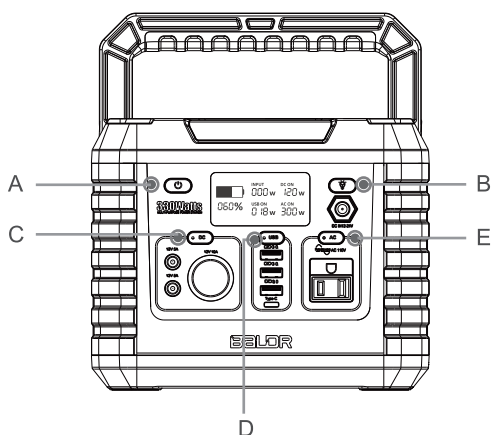


- | | | |
|----------------------------|------------------------|------------------------------------|
| ① LCD Screen Display | ⑤ USB-A Output | ⑨ SOS MODE & LED light |
| ② DC Output | ⑥ 330W Rated AC Output | ⑩ Wireless Charger |
| ③ Cigarette Lighter Output | ⑦ Anti-collision Strip | ⑪ Folding Handle |
| ④ USB-C Output | ⑧ DC Input | ⑫ Air Intake Vent with Cooling Fan |

Note: No user-serviceable parts inside.

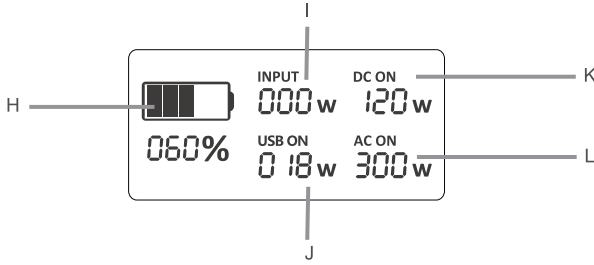
Recommended to fully charge the BALDR 330 before use.

BUTTON FEATURE



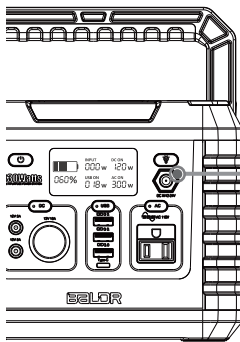
- A: BALDR 330 Power ON/OFF Button
 B: SOS mode & LED light Button
 C: DC Output Power ON/OFF Button
 D: USB Output Power ON/OFF Button
 E: AC Output Power ON/OFF Button

LCD FEATURES



H: Battery Level Indicator
I: Input Status
J: USB Output Status
K: DC Output Status
L: AC Output Status

HOW TO CHARGE



From Solar Charger
100W 5-7 hours
 depending on solar conditions



From Car Port 12V
7-9 hours when car running



From Wall Charger 110V
5-7 hours

⚠ DO NOT CONNECT DEVICE VIA AC OUTPUT PORT WHILE CHARGE THE BALDR 330. RECOMMEND TO DISCONNECT THE BALDR 330 WHEN FULLY CHARGED.

WHAT IT POWERS



Laptops (41.4Wh)
Around
6 Recharges



32" TV(60W)
Around
4 hours



CPAP without heated humidifier (15W)
Around 2 nights



GoPro (5.9Wh)
Around
41 Recharges



Floodlight(4W)
Around
64 hours



Mini Fridge(40W)
Around 6 hours



DJ Drone(89.2Wh)
Around 3 Recharges



Smartphone(10Wh)
Around
24 Recharges



Switch(16Wh)
Around
15 Recharges

FUNCTION BUTTONS

BALDR 330 POWER ON/OFF A

Button A is the master switch. Press **Button A** to activate the button C/D.

Press **Button A** to shut down the output(s) When not in use.

SOS MODE & LED LIGHT B

Function available no matter the **Button A** activate or not.

First, press **Button B** to turn on the LED light;

Second, DOUBLE-Press to turn on the SOS mode;

Third, press **Button B** back to LED light, one more time again, will turn off the light.

DC OUTPUT POWER ON/OFF C

The DC output port will **NOT** function until the appropriate **Button A & C** are both pressed to activate. Press **Button C** to shut down the output(s) When not in use.

USB OUTPUT POWER ON/OFF D

The USB output port will **NOT** function until the appropriate **Button A & D** are both pressed to activate.

Press **Button D** to shut down the output(s) When not in use.

AC OUTPUT POWER ON/OFF E

The AC output port will **NOT** function until the appropriate **Button A & E** are both pressed to activate.

Press **Button E** to shut down the output(s) When not in use.

USB-C OUTPUT ④

The USB-C output port will **NOT** function until the appropriate **Button A & D** are both pressed to activate.

The USB-C cable of different devices need different endorsements of corresponding protocols, if the USB-C port didn't work, try to use the AC output port.

WIRELESS CHARGER ⑩

Press **ON/OFF Button A** before charging. Press ON/OFF Button to shut down the output(s) When not in use.

COOLING FAN ⑫

BALDR 330 utilizes an internal cooling fan to ensure the product is operating within the appropriate temperature range. BALDR 330, when it experiences a higher output load, will automatically turn on the fan. During discharge, and possibly charging, the fan may operate intermittently to keep internal temperature within operating range. The fan will likely start when the AC circuit is activated to ensure proper operation.

DETAILS DISPLAYED ON LCD

BATTERY LEVEL INDICATOR H : The battery level is provided by percentage of battery charge corresponding to the number of bars and percentage displayed. The segments in the battery level correspond to the current state of charge, 0-5% empty, 6-20% one segment, 21-40% two segments, 41-60% three segments, 61-80% four segments, and all five are lit when charge level is above 81%.

Provides the user live telemetry data on time to completely charge, or deplete the battery based upon the energy entering or leaving the battery.

Highly recommend to fully charge BALDR 330 when first use. Higher battery level indicator show, more precise the data will indicate.

PLEASE BE AWARE that this value can adjust multiple times as the energy draw changes from the connected devices. This is evident during initial activation of ports with a connected device.

RECOMMENDED back to charge the BALDR 330 when battery indicate less than 20%.

Note that when you first plug in a power source, whether it's a solar panel or a wall charger, the BALDR 330 may take a minute to detect and adjust its charge circuitry before it starts drawing power from the source.

INPUT Status I: The BALDR 330 is capable of providing input energy in watts.

USB Output Status J: The display will provide output watts of the **USB port** ④

DC Output Status K: The display will provide output watts of the **DC port** ②③ .

AC Output Status L: The display will provide output watts of the **AC port** ⑥ .

The output watts of USB port will **NOT** display on the **LCD Screen** ① .

LCD Screen ① will enter sleep mode after **120 seconds** of inactivity (no new output load detected), and will "wake up" when inputting a charging cord or when any button is pressed.

OPERATING INSTRUCTIONS

CHARGING BALDR 330

Connect the provided AC Wall power adapter to **Input** ⑧ , and allow BALDR 330 to fully charge prior to use, approx. 5-7 hours. When charging, the **LCD Screen** ① will be illuminated, and the LCD display will provide **Battery level Indicator H**, BALDR 330 is fully charged when the level is 100%. It is recommended to fully charge BALDR 330 every 3 months to maintain the health of the battery pack.

POWERING / CHARGING DEVICES WITH BALDR 330

Select the type of outlet required by pressing the **Output ON/OFF Button C/D/E**. The output port will NOT function until the appropriate button is pressed to activate the port. When activated, the indicator on the button will illuminate green, indicating that the output(s) are active, and the LCD display will turn on and provide details on the charging output. The LCD Screen will automatically shut down when no outputs are activated.

BALDR 330 will enter sleep mode after **120 seconds** of inactivity (no new output load detected), and will "wake up" when inputting a charging cord or when any button is pressed.

Press the ON/OFF button(s) to shut down the output(s) when not in use.

PASS-THROUGH CHARGING

The advanced battery management system of the BALDR 330 allows it to charge a connected device via **DC output & USB output** while charge the BALDR 330.

⚠ DO NOT CONNECTED DEVICE VIA AC OUTPUT WHILE CHARGE THE BALDR 330.

OVERLOAD CONDITION

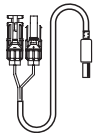
If an overload condition occurs on the OUTPUT port, BALDR 330 will:

- Automatically turn off **AC Output ⑥** power.
- The blue indicator light of **LCD Screen ①** still illuminated.
- **DC OUTPUT Status J** still the same status as usual.

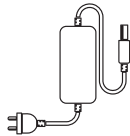
Do following:

- Check the input charge cable. The port will be efficient when the input charge cable meets the specification outlined in the GENERAL SPECIFICATIONS section.
- Only charge BALDR 330 with provided AC wall power adapter.

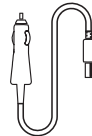
BALDR 330 ACCESSORY LIST



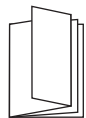
- 18V with MC4 connector cable



- 110V AC wall plug power adapter



- 12V Car Charger cable



- User Manual

Recommend to use 100W Solar panel (not included).

CLEANING

Be sure that BALDR 330 is disconnected from all input power sources and output devices. Use a clean, dry, soft-lint-free cloth to wipe down it. Remove any debris, dirt, or other blockages on both side vents. When cleaning debris from the side vents, do not allow the debris, dirt, or other blockages to enter the body of BALDR 330.

DO NOT use abrasive cleaners or solvents.

DO NOT use compressed air to clean side cooling vents, as this will force foreign particles into the internal circuitry.

⚠ To avoid the risk of electrical shock, DO NOT use metal objects to clean ports.

STORAGE

If storing for more than 1 month, charge completely before storage and recharge approximately every 3 months to avoid full discharge and possible damage.

Store indoors, in cool temperatures, mild humidity, and away from direct sunlight (See GENERAL SPECIFICATIONS section). Leaving in a vehicle or other confined spaces in extreme hot temperatures can lead to decreased service life, overheating, and fire. Extreme cold conditions below specific storage range can also harm BALDR 330 performance and service life.

Keep away from corrosion chemicals and gases.

After taking out of storage, visually inspect to make sure BALDR 330 and all accessories look satisfactory. This increase review the intake and exhaust side vents to ensure they are clear of debris. Allow BALDR 330 to return to ambient conditions before recharging, or charging other devices.

ATTENTION

Transportation:BALDR 330 complies with all legal requirements for transport of dangerous goods. The capacity of the lithium battery pack exceeds 100Wh. Based on international standards, if BALDR 330 is transported by airplane, it must be transported in accordance with IATA standard packaging. IATA instructions and labeling requirements and the relevant declarations must be completed.



Not permitted on aircrafts



Avoid dropping



To preserve the battery lifespans, please use and recharge at least once every 3 months



Do not disassemble



Use original or certified charger and cables



It's not waterproof, do not expose to liquids



Avoid extreme temperature



Please dispose of batteries and electronic goods in accordance with local regulations

TROUBLESHOOTING

BALDR 330 WILL NOT CHARGE OR OPERATE connected devices:

- Ensure that the **DC/USB/AC output ports** ② / ③ / ④ / ⑤ / ⑥ are activated by pressing the **Button(s) A & C/D/E** for the port(s) in use.
- Confirm the connected device is suitable for the BALDR 330 by reviewing the output specifications provided in the GENERAL SPECIFICATIONS section.
- Confirm BALDR 330 is charged by reviewing the **Battery Level Indicator H**.
- Verify the watt data displayed on the **Status Indicator I/J/K of LCD Screen** ① for overload condition.

BALDR 330 WILL NOT CHARGE:

- Confirm that the wall plug power adapter's cord is inserted fully into the **DC Input** ⑧ .
- Confirm that the AC wall plug power adapter is the charger provided with BALDR 330.
- If the input does not comply with the requirements located in the GENERAL SPECIFICATIONS section, the Low Watt range 0 to 10 may be displayed on **INPUT STATUS I of LCD screen** ① .

MAINTENANCE

Recharge as needed. There are no pre-designated intervals at which to recharge as long as the BALDR 330 is being used regularly. Avoid discharging completed on a regular basis, as this can impact overall life.


Regularly inspect all ports and wall charger for any debris, dirt, damage and corrosion.

DO NOT attempt to fix.

DO NOT cover the BALDR 330 with towels, clothing or other items.

Regularly observe if the side vents are collecting dirt or dust, and clean following cleaning procedures noted in manual.

DISPOSAL/RECYCLE

 Do not place equipment and its accessories in the trash. Items must be properly disposed of in accordance with local regulations. See www.epa.gov for additional information.

STATEMENT

© Copyright BALDR. All rights reserved. All trademarks cited herein are the property of their respective owners.

The information contained herein is subject to change without notice. The only warranties for BALDR products and services are set forth in the warranty statements accompanying such products and services. BALDR shall not be liable for technical or editorial errors or omissions contained herein.

Second Edition: Mar 2020. This user guide describes features that are common to most models.

WARRANTY

Limited Warranty

BALDR Warrants to the original consumer purchaser that the BALDR will be free from defects in workmanship and material under normal consumer use during the applicable warranty period identified in the 'Warranty Period' section below, subject to the exclusions set forth below. This warranty statement sets forth BALDR's total and exclusive warranty obligation. We will not assume, nor authorize any person to assume for us, any other liability in connection with the sale of our products.

Warranty Period

The warranty period is 12 months. In each case, the warranty period is measured starting on the date of purchase by the original consumer purchaser. The sales receipt from the first consumer purchase, or other reasonable documentary proof, is required in order to establish the start date of the warranty period.

The warranty can be extended to TWO TOTAL years if you registered via www.togopower.com or contact support@togopower.com.

Remedy

BALDR will repair or replace(at BALDR's option) any BALDR product that fails to operate during the applicable warranty period due to defect in workmanship or material. If a valid claim is made during the applicable period, BALDR, at its option, will either (1) replace the product, or (2) exchange the product with a product that is of equal value. A replacement product assumes the remaining warranty of the original product or ninety (90) days from the date of replacement, whichever is greater. Customer is responsible for the return shipping costs.

Limited to Original Consumer Buyer

The warranty on BALDR's product is limited to the original consumer purchaser and to any subsequent owner.

Exclusions

BALDR's warranty does not apply to (i) any product that is misused, abused, modified, damaged by accident, or used for anything other than normal consumer use as authorized in BALDR's current product literature, or (ii) any product purchased through an online auction house. BALDR's warranty does not apply to the battery cell unless the battery cell is fully charged by you within seven days after you purchase the product and at least every 3 months thereafter.

How to Receive Service

To obtain warranty service, contact our customer service team at support@togopower.com.

