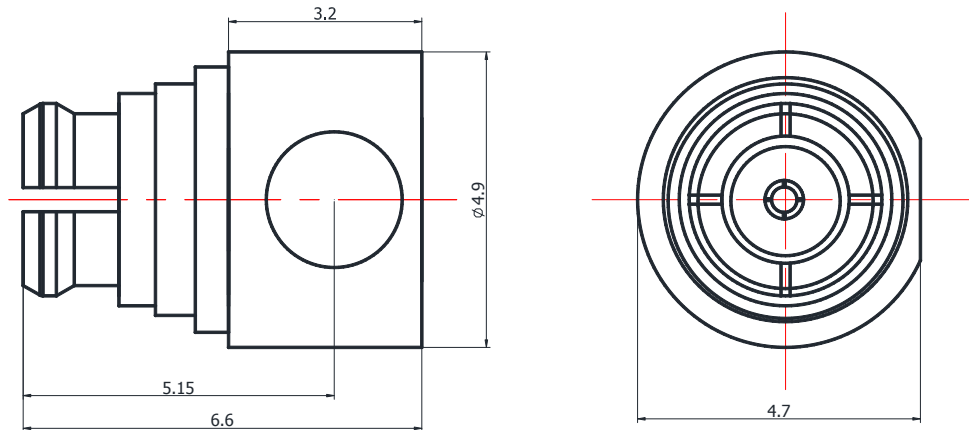


**GPO(SMP) JACK  
RIGHT ANGLE**
**GPO-KWB2**


\*Dimensions are in mm

### Configuration

Connector 1 Type	GPO(SMP) Female
Connector 1 Impedance	50 Ohms
Connector 1 Polarity	Standard
Body Style	Right Angle
Connector Mount Method	None
Connector 2 Interface Type	086 Series
Cable Attachment Method	Solder

### Electrical Specifications

Frequency	DC to 26.5 GHz
Insertion Loss (dB)	$\leq 0.1 \times \text{Sqrt.}(f\_GHz)$
Return Loss/ VSWR	26dB to 6G, 20dB to 12G, 15dB to 18G

### Materials Information

Center Contact	CuBe Gold Plated
Outer Contact	CuBe Gold Plated
Body	CuBe Gold Plated
Dielectric	PTFE

### Environmental Data

Temperature Range	-40°C to +155°C
2002/95/EC(RoHS)	Compliant

While the information has been carefully compiled to the best of our knowledge, nothing is intended as representation or warranty on our part and no statement herein shall be construed as recommendation to infringe existing patents. In the effort to improve our products, we reserve the right to make changes judged to be necessary.