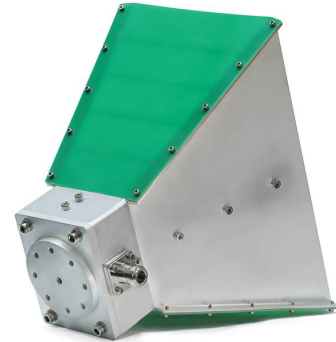
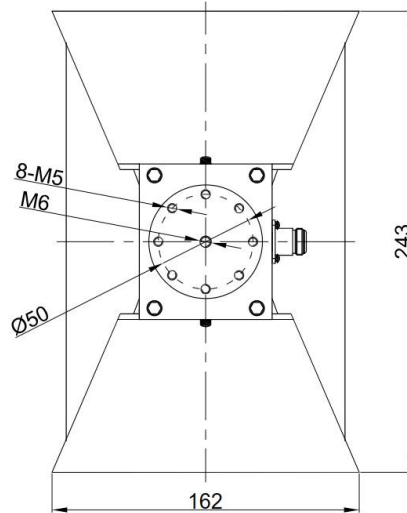
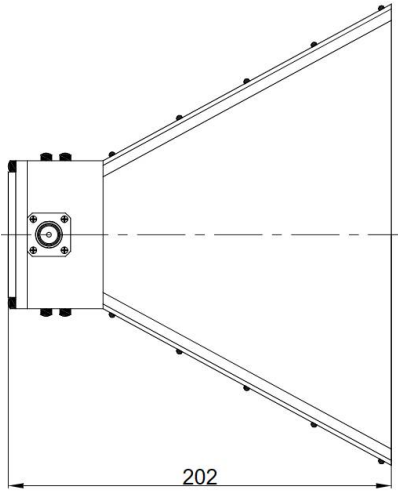


**Broadband Waveguide Horn Antenna Operating from 1 GHz to 18 GHz
with a Nominal 11 dBi Gain, N Female Input Connector**

P/N: GHA0118A-11



Dimensions are in mm

Product Configuration

Connector Series	N
Connector Polarity	Standard
Connector Gender	Female
Connector Impedance (Ohm)	50
Antenna Type	Horn

Mechanical Data

Weight	1,429 g
Body Material	Aluminum
Colour	Silver

Electrical Specifications

Power, Max Input (Watts)	50
VSWR, Max Input	2.5
Directionality	Directional
Polarization	Linear
Number of Bands	Single
Gain, Typical (dBi)	11

Environmental Specifications

RoHS Compliant	Yes
Operating Temperature Range	-40 °C to +80 °C

**Broadband Waveguide Horn Antenna Operating from 1 GHz to 18 GHz
with a Nominal 11 dBi Gain, N Female Input Connector**

P/N: GHA0118A-11

VSWR Test Figure



Bandwidth & Gain Table

Frequency (GHz)	E Beamwidth (°)	H Beamwidth (°)	Gain (dBi)
1.0	91.0	68.7	5.2
1.5	66.8	59.8	9.4
2.0	49.4	56.8	9.4
2.5	40.3	60.4	9.8
3.0	38.9	61.0	9.9
3.5	36.8	61.4	10.0
4.0	37.5	62.6	10.5
4.5	34.1	46.5	11.3
5.0	51.5	43.0	11.7
5.5	47.5	40.2	11.8
6.0	43.4	36.9	12.3
6.5	41.4	29.0	12.7
7.0	46.5	28.2	12.5
7.5	51.0	33.6	11.8
8.0	44.8	33.5	11.8
8.5	45.2	33.8	12.0
9.0	47.4	33.0	11.8
9.5	46.2	34.8	12.4
10.0	45.3	32.5	13.2
10.5	45.8	30.9	13.3
11.0	45.3	33.0	13.1
11.5	48.1	32.6	12.8
12.0	50.5	32.9	12.5
12.5	46.6	35.4	13.1
13.0	41.7	36.5	12.1
13.5	37.0	34.6	11.2
14.0	17.0	33.4	11.4
14.5	17.9	33.4	11.0
15.0	45.4	30.8	12.1
15.5	15.8	9.9	14.6
16.0	10.7	6.8	16.0
16.5	9.7	8.1	15.6
17.0	8.9	12.1	14.9
17.5	8.7	16.6	12.6
18.0	38.5	7.7	9.1

Bandwidth & Gain Test Figures

