

DC-BLOCK

DC-Block 50Ω, 1.85 mm
Connector,0.05-67G

GDCB-67G-185

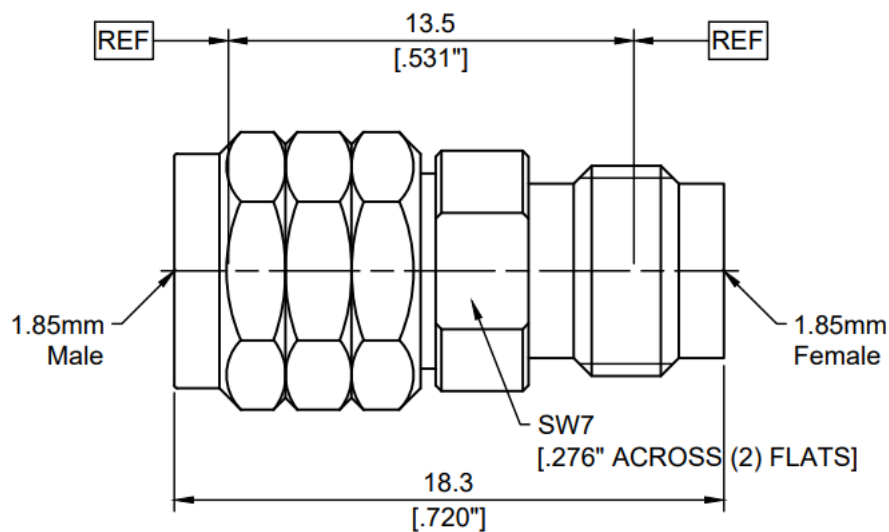
Electrical Specifications

Frequency Range [GHz]:	0.05 ~ 67
Insertion Loss [dB]:	≤1.0
Maximum VSWR :	≤1.50
Impedance [Ohms]:	50
DC Maximum Voltage[V]:	16

Mechanical Specifications

Size[mm]:	Ø7.8*18.3
Temperature Range[°C]:	-55~+85
Body:	Stainless Steel
Center Contact:	CuBe Gold Plated
Dielectric:	CPS
Connector Type:	1.85mm
Weight[g]:	15

Outline Drawing



*Dimensions are in mm

Notes