

DC-BLOCK



DC-Block 50 Ω ,N Connector,0.1-18G

GDCB-18G-N

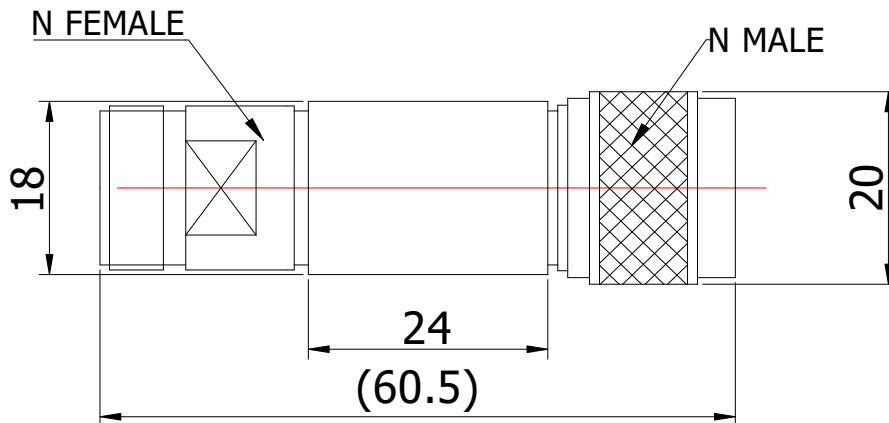
Electrical Specifications

Frequently Range[GHz]:	0.1-18
Insertion Loss[dB]:	≤0.8
Maxium VSWR:	≤1.4
Impedance[Ohms]:	50
DC Maximum Voltage[V]:	100

Mechanical Specifications

Size[mm]:	Ø20*68
Temperature Range[°C]:	-55~+100
Cavity:	Al
Male Inner Conductor:	Gold-plated Copper
Female Inner Conductor:	Gold-plated Beryllium Bronze
Connecter Type:	N
Weight[g]:	65

Outline Drawing



*Dimensions are in mm

Notes

*Dimensional Tolerance: ±2%

While the information has been carefully compiled to the best of our knowledge, nothing is intended as representation or warranty of our part and no statement herein shall be construed as recommendation to infringe existing patents. In the effort to improve our products, we reserve the right to make changes judged to be necessary.