

SPECIFICATIONS

ELECTRICAL

FREQUENCY RANGE \_\_\_\_\_ 10 MHz - 18 GHz  
 IMPEDANCE \_\_\_\_\_ 50 OHMS  
 INSERTION LOSS \_\_\_\_\_ 0.75 dB  
 VSWR \_\_\_\_\_ 1.35:1 MAX.  
 VOLTAGE RATING \_\_\_\_\_ 200 VOLTS MAX (INNER ONLY)  
 OPERATING TEMP \_\_\_\_\_ -65°C TO 125°C

MECHANICAL

BODY AND COUPLING NUT \_\_\_\_\_ STAINLESS STEEL PER ASTM-A-582,  
 TYPE 303, PASSIVATED PER QQ-P-35  
 CONTACT \_\_\_\_\_ BERYLLIUM COPPER ALLOY UNS-C17300  
 OR C17300 IAW B196/B197.  
 GOLD PLATE PER MIL-PRF-39012 (ASTM-B488)

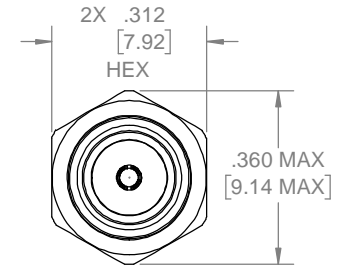
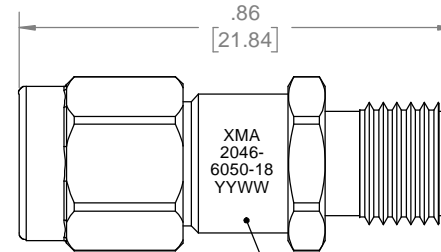
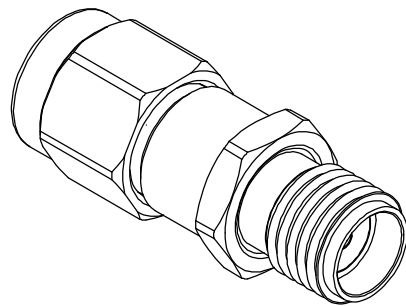
CONNECTOR INTERFACES, FINISHES AND MATERIALS COMPLY WITH BOTH  
 MIL-PRF-39012 AND MIL-STD-348.

ROHS COMPLIANT DEVICE

MARKING

PART LOOKS LIKE PRODUCT IMAGE ABOVE.  
 PART MARKING ORIENTATION AND FORMAT AS SHOWN.  
 MARKING TO BE AS LARGE AS POSSIBLE, CLEAR, AND READABLE.  
 YYWW EQUALS DATE CODE

产品外观如图 如图所示的零件标记方向和格式。 标记尽可能大、清晰、易读。 yyww等于日期代码



REVISIONS				
REV	DESCRIPTION	ECO #	DATE	APPROVED
-1	REDRAWN ON NEW TITLEBLOCK		2/17/09	DS
A	ADDED MARKING	15-251	8/24/15	T.KUHN
B	INSERTION LOSS WAS .5dB	17-119	7/27/17	T.KUHN
C	CHANGED DESCRIPTION IN BOM	17-130	9/5/17	T.KUHN

MARKING AREA

QTY.	PART NUMBER	DESCRIPTION	ITEM NO.
X	2046-6050-18	DC BLOCK, SMA-m/f, 10MHz - 18GHz, 2W	
1	TA-2046-6050-18U	ASSY, DC BLOCK, SMA-m/f, 10MHz - 18GHz, 2W	1

DRAWING PRACTICES PER ANSI-Y-14.5 MIL-STD-100 & 1000  
 DIMENSIONS ARE IN INCHES AND APPLY BEFORE / AFTER PROCESSING  
 SURFACE ROUGHNESS  $\mu$ INCHES 63  
 FINISH:  
 SEE NOTES  
 MATERIAL:  
 SEE NOTES  
 NOTE:  
 THIS DRAWING INCORPORATES THIRD ANGLE PROJECTION.  
 INTERPRET IAW ANSI Y14.5-1982

UNLESS OTHERWISE SPECIFIED TOLERANCES IN:  
 DECIMALS INCH [MM]  
 .X" .05" [1.27]  
 .XX" .03" [.76]  
 .XXX" .010" [.25]  
 ANGLES  $\pm 0^{\circ}30'$   
 REMOVE ALL BURRS/SHARP W/ BREAK / R OF .003" TO .0005" UNLESS OTHERWISE NOTED  
 DIAS CONCENTRIC <.003 T.I.R.  
 DO NOT SCALE PRINT

DRAWN SAUNDERS DATE  
 CHECKED DATE 2/17/09  
 ENG. APPR. DATE  
 THESE DRAWINGS AND SPECIFICATIONS ARE THE PROPERTY OF XMA CORP. OR OMNI SPECTRA AND SHALL NOT BE REPRODUCED, COPIED NOR USED - IN WHOLE OR IN PART - AS A BASIS FOR THE MANUFACTURE OR SALE OF OTHER ITEMS WITHOUT THE EXPRESS WRITTEN PERMISSION OF XMA CORP.

Phone: 603-222-2256 Fax: 603-222-2259  
 150 Dow Street, Manchester, NH 03101  
 TITLE  
**DC BLOCK, SMA-m/f, 10MHz - 18GHz, 2W**

SIZE B	CAGE CODE 3HT76	DRAWING NUMBER 2046-6050-18	REV C
SCALE	PLATED AREA SQ. IN	SHEET 1 OF 1	