

**Precision Wireless** POWERED BY **Omni Spectra®**

**外来文件受控章**

REVISIONS				
REV	DESCRIPTION	ECO #	DATE	APPROVED
-	INITIAL RELEASE	14-173	8/23/13	T.KUHN
A	CHANGE OPERATING TEMP TO 4 KELVIN	14-251	10/24/13	T.KUHN
B	ADDED MARKING	15-226	7/20/15	T.KUHN
C	REVISED LENGTH TOL	15-344	12/2/15	T.KUHN

**SPECIFICATIONS**

**ELECTRICAL**

FREQUENCY RANGE \_\_\_\_\_ DC - 18 GHz

VSWR  
 DC - 4 GHz \_\_\_\_\_ 1.05:1 MAX  
 4 - 8 GHz \_\_\_\_\_ 1.10:1 MAX  
 8 - 12.4 GHz \_\_\_\_\_ 1.15:1 MAX  
 12.4 - 18 GHz \_\_\_\_\_ 1.20:1 MAX

IMPEDANCE \_\_\_\_\_ 50 OHMS

TEMPERATURE RANGE \_\_\_\_\_ 4 KELVIN TO +125°C  
 \_\_\_\_\_ 150°C STORAGE

POWER (AVG) \_\_\_\_\_ 2 WATTS  
 POWER DERATES LINEARLY FROM +45°C TO <10% @+125°C

POWER (PEAK) \_\_\_\_\_ 500 WATTS  
 (<5 μ SEC PW, <1% DUTY CYCLE)

**MECHANICAL**

INNER CONDUCTOR \_\_\_\_\_ BERYLLIUM COPPER PER  
 ASTM B196 & B197.

OUTER CONDUCTOR \_\_\_\_\_ STEEL, CORROSION RESISTANT PER  
 ASTM A484 & A582, CLASS 303, COND. A.

DIELECTRIC \_\_\_\_\_ TEFLON PER ASTM D1710.

**FINISH**

INNER CONDUCTOR \_\_\_\_\_ GOLD PLATED PER MIL-PRF-39012.

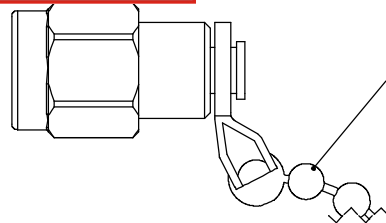
HOUSING/COUPLING NUT FINISH PER SUFFIX (REPLACING -0X IN P/N)  
 -00 OUTER CONDUCTOR/NUT GOLD PLATED  
 -02 OUTER CONDUCTOR/NUT PASSIVATED SS  
 -01 OUTER CONDUCTOR GOLD PLATED, NUT PASSIVATED SS

ADD C FOR 2-2.5" CHAIN ATTACHED

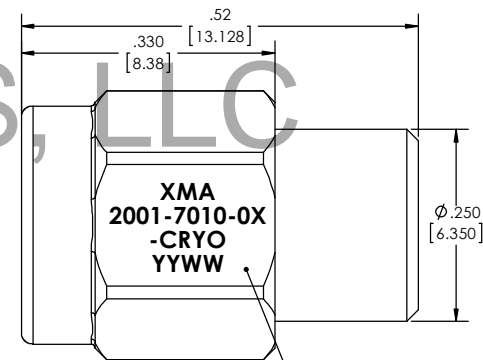
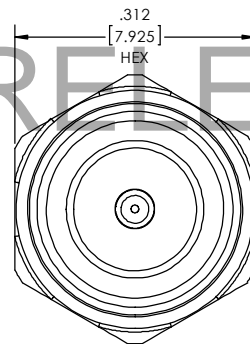
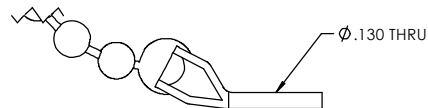
CONNECTOR INTERFACE COMPLIES WITH MIL-PRF-39012 AND MIL-STD-348 FOR SMA MATING CHARACTERISTICS.

**MARKING**

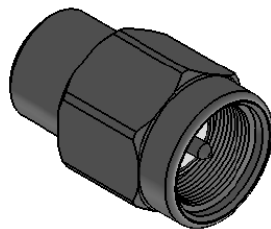
PART LOOKS LIKE PRODUCT IMAGE ABOVE.  
 PART MARKING ORIENTATION AND FORMAT AS SHOWN.  
 MARKING TO BE AS LARGE AS POSSIBLE, CLEAR AND READABLE.  
 YYWW EQUALS DATE CODE.



SHOWN WITH OPTIONAL #3 BEAD CHAIN STOCK SS/INCONEL MATERIAL 2" - 2.5" LONG (SEE NOTE)



MARKING AREA SEE NOTE



QTY.	PART NUMBER	DESCRIPTION	ITEM NO.
	2001-7010-0X-CRYO	TERMINATION, SMA-m, DC-18GHz, 2W	
1	2001-7000-0XBB	ASSEMBLY, TERMINATION, SMA-m, DC-18GHz, 2W, UNMARKED	1

DRAWING PRACTICES PER ANSI Y14.5  
 DIMENSIONS ARE IN INCHES AND APPLY BEFORE/AFTER PROCESSING

UNLESS OTHERWISE SPECIFIED TOLERANCES IN:  
 DECIMALS INCH (MM)

X" .05" [1.27]  
 .XX" .03" [.76]  
 .XXX" .01" [.25]

FINISH: 63 ✓

SEE NOTES

MATERIAL: REMOVE ALL BURRS/SHARP W/ BREAK / R OF .003" TO .0005"

NOTE: THIS DRAWING INCORPORATES THIRD ANGLE PROJECTION.

INTERPRET LAW ANSI Y14.5-1982

UNLESS OTHERWISE SPECIFIED ANGLES ±0°30'  
 REMOVE ALL BURRS/SHARP W/ BREAK / R OF .003" TO .0005"  
 UNLESS OTHERWISE NOTED DIAS CONCENTRIC <.003 T.I.F.

DO NOT SCALE PRINT

DRAWN: MCCORMICK DATE: 7/20/15  
 CHECKED: MCCORMICK DATE: 7/20/15  
 ENG APPR: T.KUHN DATE: 7/20/15

THESE DRAWINGS AND SPECIFICATIONS ARE THE PROPERTY OF XMA CORP. OR OMNI SPECTRA AND SHALL NOT BE REPRODUCED, COPIED NOR USED IN WHOLE OR IN PART AS A BASIS FOR THE MANUFACTURE OR SALE OF OTHER ITEMS WITHOUT THE EXPRESS WRITTEN PERMISSION OF XMA CORP.

**XMA** Omni Spectra®

Phone: 603-222-2256 Fax: 603-222-2259  
 150 Dow Street, Manchester, NH 03103

TITLE: TERMINATION, SMA-m, DC-18GHz, 2W

SIZE: C	CAGE CODE: 3HT76	DRAWING NUMBER: 2001-7010-0X-CRYO	REV: C
SCALE:	PLATED AREA 50 IN	SHEET 1 OF 1	