

4

3

2

1

ELECTRICAL

SPECIFICATIONS

FREQUENCY RANGE _____ DC - 26.5GHz
 VSWR _____ SEE TABLE
 IMPEDANCE _____ 50 OHMS
 TEMPERATURE RANGE _____ 4 KELVIN TO +125°C
 POWER (AVG) _____ 1 WATT
 POWER DERATES LINEARLY FROM +45°C TO <10% @+125°C
 POWER (PEAK) _____ 500 WATTS
 (<5 μ SEC PW, <1% DUTY CYCLE)

MECHANICAL

INNER CONDUCTOR: _____ BERYLLIUM COPPER PER
 ASTM B196 & B197.
 OUTER CONDUCTOR: _____ STAINLESS STEEL, PER ASTM
 A484 & A582, CLASS 303, COND. A.
 DIELECTRIC: TEFLON PER ASTM D1710.

FINISH

INNER CONDUCTOR: _____ GOLD PLATED PER MIL-PRF-39012.
 HOUSING/COUPLING NUT FINISH PER SUFFIX (REPLACING -0X IN P/N)
 -00 OUTER CONDUCTOR/NUT GOLD PLATED
 -02 OUTER CONDUCTOR/NUT PASSIVATED SS
 -01 OUTER CONDUCTOR GOLD PLATED, NUT PASSIVATED SS

ADD "C" TO THE END OF PART NUMBER FOR CHAINED UNITS. (EXCLUDING PARTS 2001-6105-0X-CRYO AND 2001-6115-0X-CRYO)
 ** EXCEPTION FOR THE 200X-6151-02-CRYO. OUTER HOUSING IS GOLD PLATED AND NUT IS PASSIVATED

ADD C FOR 2-2.5" CHAIN ATTACHED

CONNECTOR INTERFACE COMPLIES WITH MIL-PRF-39012 AND MIL-STD-348 FOR SMA MATING CHARACTERISTICS.

RoHS COMPLIANT DEVICE

MARKING

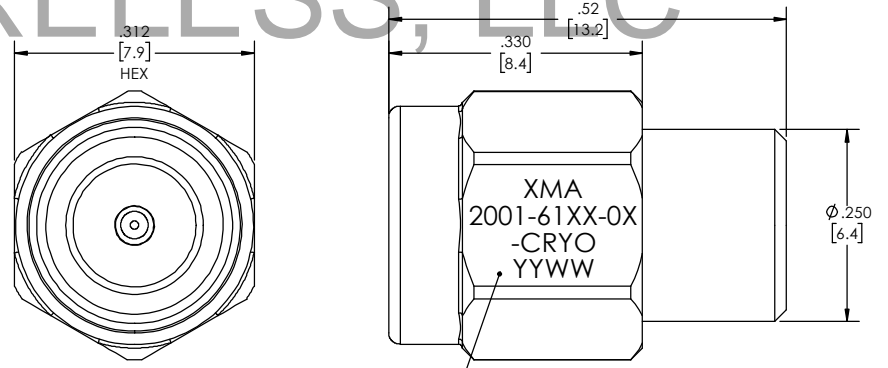
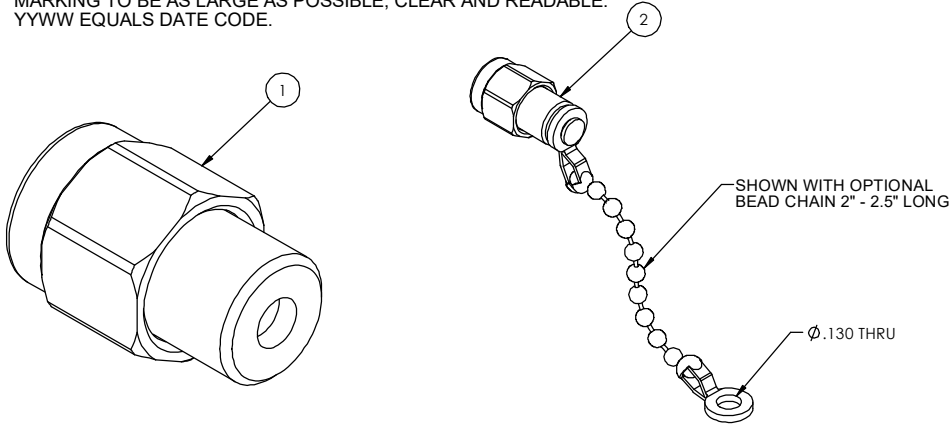
PART LOOKS LIKE PRODUCT IMAGE ABOVE.
 PART MARKING ORIENTATION AND FORMAT AS SHOWN.
 MARKING TO BE AS LARGE AS POSSIBLE, CLEAR AND READABLE.
 YYWW EQUALS DATE CODE.



REVISIONS				
REV	DESCRIPTION	ECO #	DATE	APPROVED
D	REVISED MARKING AREA	15-297	10/7/15	T.KUHN
E	ADDED ** NOTE TO TABLE: LENGTH TOL	16-143	6/23/16	T.KUHN
F	REMOVED 2001-6118-0X	17-046	4/11/17	T.KUHN
G	4-12.4GHz VSWR WAS 1.05:1, 6116 AND 6117	18-121	8/13/18	T.KUHN

FREQUENCY (GHz)	VSWR DC-4 (GHz)	VSWR 4-12.4 (GHz)	VSWR 12.4-18 (GHz)	VSWR 18-26.5 (GHz)	PART NUMBER
DC-4	DC-1 1.05:1 2-4 1.10:1	-	-	-	2001-6151-02-CRYO**
DC-12.4	1.05:1	1.10:1	-	-	2001-6116-0X-CRYO
DC-18	1.05:1	1.10:1	1.25:1	-	2001-6144-0X-CRYO
	1.05:1	1.15:1	1.15:1	-	2001-6105-0X-CRYO*
	1.05:1	1.15:1	1.15:1	-	2001-6100-0X-CRYO
	1.05:1	1.15:1	1.20:1	-	2001-61010X-CRYO
	1.05:1 +0.01 f (GHz)	DC - 18GHz		-	2001-6143-0X-CRYO
	1.05:1	1.10:1	1.10:1	-	2001-6117-0X-CRYO
	1.10:1	1.10:1	1.10:1	-	2001-6111-0X-CRYO
	1.05:1	1.15:1	1.20:1	-	2001-6112-0X-CRYO
DC-26.5	1.10:1	1.20:1	1.30:1	-	2001-6113-0X-CRYO
	1.10:1	1.20:1	1.30:1	-	2001-6115-0X-CRYO*
	1.05:1	1.10:1	1.20:1	1.30:1	2001-6110-0X-CRYO
1.05:1 + .007f (GHz) DC TO 26.5 GHz					2001-6119-0X-CRYO

* WITH 2" TO 2.5" MONEL BEAD CHAIN
 ** EXCEPTION FOR THE 200X-6151-02-CRYO, OUTER HOUSING IS GOLD PLATED AND NUT IS PASSIVATED



NO CHAIN	CHAIN	PART NUMBER	DESCRIPTION	ITEM NO.
		2001-61XX-0X-CRYO	TERMINATION, SMA-m, DC-26.5 GHz	
1	-	TA-2001-6000-0XYYU-CRYO	ASSEMBLY, TERMINATION, SMA-m, DC-26.5 GHz, UNMARKED	1
-	1	TA-2001-6000-0XYYUC-CRYO	ASSEMBLY, TERMINATION, SMA-m, DC-26.5 GHz, CHAINED, UNMARKED	2

DRAWING PRACTICES PER ANSI Y14.5
 DIMENSIONS ARE IN INCHES AND APPLY BEFORE/ AFTER PROCESSING

UNLESS OTHERWISE SPECIFIED TOLERANCES IN:
 DECIMALS INCH (MM)
 X" .05" [1.27]
 .XX" .03" [.76]
 .XXX" .010" [.25]

DATE MCCORMICK 11/20/11
 CHECKED DATE
 MCCORMICK 11/20/11
 ENG APPR. DATE
 T.KUHN 11/20/11

NOTE:
 REMOVE ALL BURRS/SHARP W/ BREAK / R OF .003" TO .0005"
 UNLESS OTHERWISE NOTED DIAS CONCENTRIC <.003 T.I.F.

INTERPRET LAW ANSI Y14.5-1982

DO NOT SCALE PRINT

THESE DRAWINGS AND SPECIFICATIONS ARE THE PROPERTY OF XMA CORP. OR OMNI SPECTRA AND SHALL NOT BE REPRODUCED, COPIED NOR USED IN WHOLE OR IN PART AS A BASIS FOR THE MANUFACTURE OR SALE OF OTHER ITEMS WITHOUT THE EXPRESS WRITTEN PERMISSION OF XMA CORP.

Phone: 603-222-2256 Fax: 603-222-2259
 150 Dow Street, Manchester, NH 03103

TERMINATION, SMA-m, DC-26.5 GHz

SIZE	CAGE CODE	DRAWING NUMBER	REV
C	3HT76	2001-61XX-0X-CRYO	G

PLATED AREA 50 IN

SHEET 1 OF 1

4

3

2

1