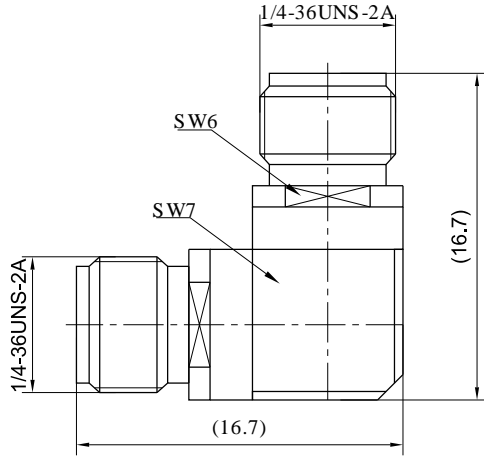


2.92mm Female to 2.92mm Female Adapter with Right Angle, DC - 40GHz

2.92-KWKS



Dimensions are in mm



Product Configuration

Body Style Right Angle

Mechanical Data

Connector 1 Body Material Stainless Steel
 Connector 1 Body Plating Passivated
 Connector 2 Body Material Stainless Steel
 Connector 2 Body Plating Passivated
 Mating Cycles, Min ≥500
 Weight (g) 7.3 g

Electrical Specifications

Frequency DC-40GHz
 VSWR 1.25
 Insertion Loss ≤0.08 xSq.(f_GHz)

Environmental Specifications

RoHS Compliant Yes
 Operating Temperature Range -55 °C to +165 °C
 MIL/STD N/A