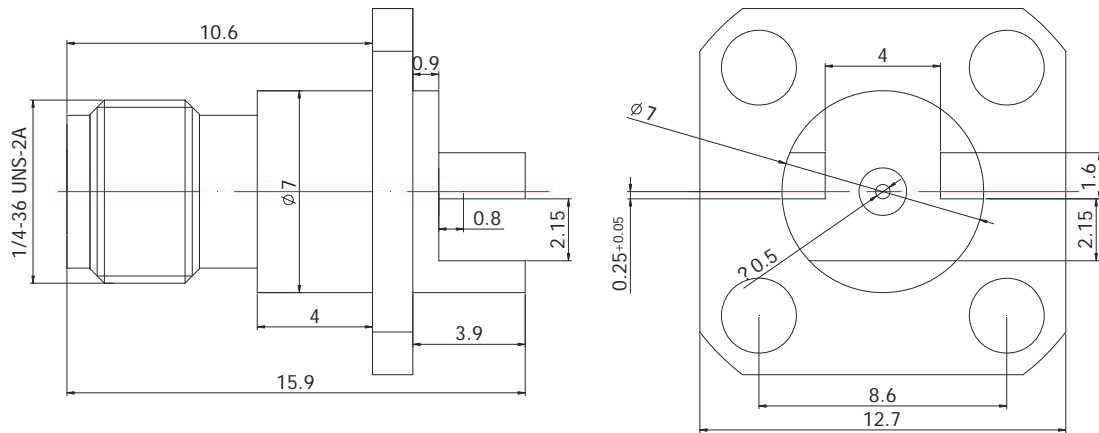


**2.92MM(FEMALE) FOR PCB  
WITH 4 HOLE FLANGE****2.92-KFHD100****Electrical Specifications**

Impedance	50 $\Omega$
Frequency	DC to 40 GHz
Insertion Loss (dB)	$\leq 0.1 \times \text{Sqrt.}(f\_GHz)$
Return loss/VSWR	$\geq 14\text{dB}$

**Materials Information**

Centre Contact	CuBe gold plated
Outer Contact	Brass gold plated
Body	Brass gold plated
Dielectric	PEEK

**Environmental Data**

Temperature range	-55°C to +165°C
2002/95/EC(RoHS)	Compliant

While the information has been carefully compiled to the best of our knowledge, nothing is intended as representation or warranty on our part and no statement herein shall be construed as recommendation to infringe existing patents. In the effort to improve our products, we reserve the right to make changes judged to be necessary.

Draft	Checker	Approved	Date	Rev.	ECN	Name	Date
LaiXX	Flex	Grison	02.03.2018	a	-----	Lai	02.03.2018
Gwave Technology, Inc. 12630 H Westminster Ave., Santa Ana, CA 92706 www.gwavetech.com					Tel.: +1(888)251-2240 Fax: +1(714)988-4223 Email:sales@gwavetech.com		Page 1 / 2