

INSTALLATION

CAUTION

• To prevent burns, allow the engine, exhaust system, radiator, etc., to cool before installing the accessory.

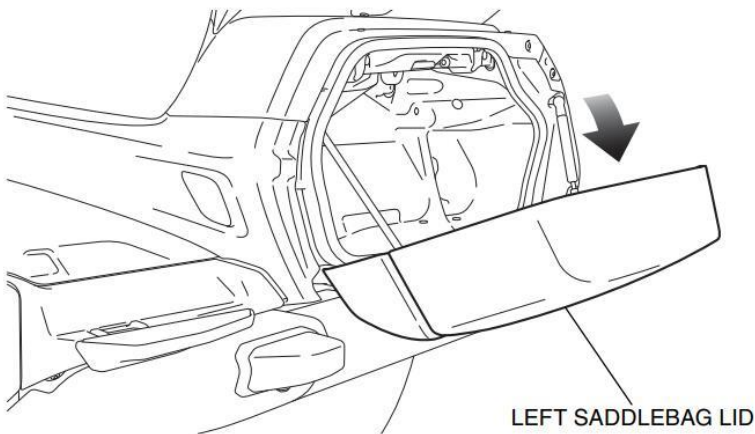
NOTE:

- Disconnect the negative (-) cable from the battery before installing this accessory.
- The clock memory will be erased when you disconnect the battery. Reset the memories after reconnecting the battery.
- Reinstall the removed parts on the motorcycle and make sure that the wires and harnesses are not pinched.

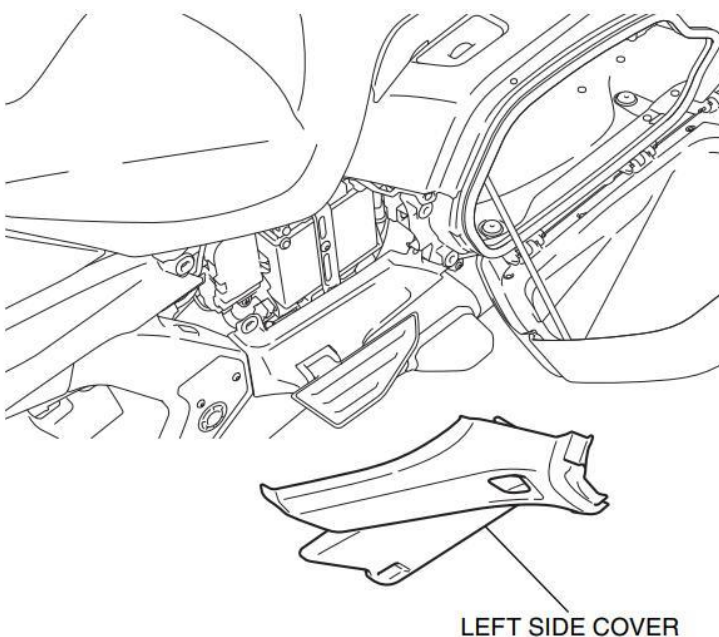
1. Open the left saddlebag lid as shown.

- Repeat on the right side.

<Left side>



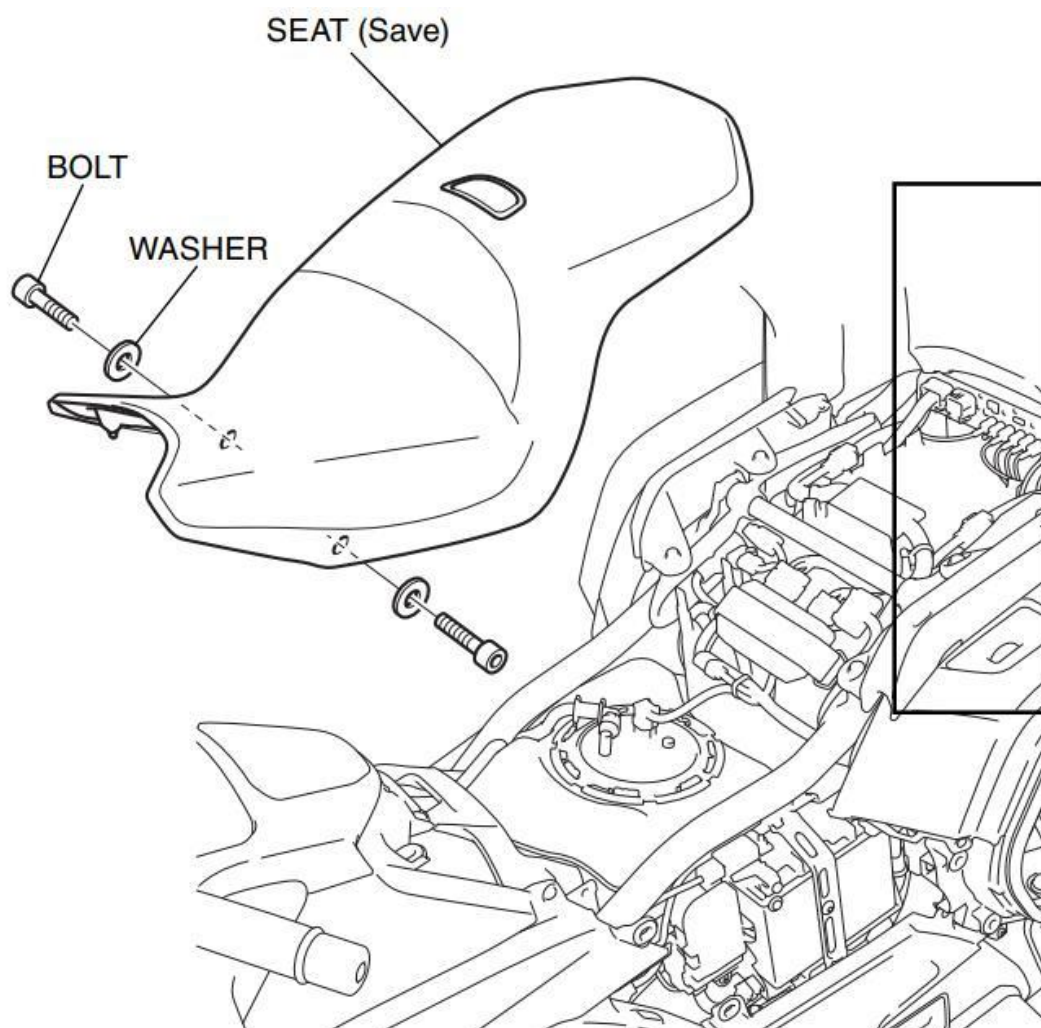
2. Remove the left side cover as shown, and disconnect the negative (-) cable of the battery.



3. Remove the right side cover in the same manner as the left side.

4. Remove the seat as shown.

- Disconnect the connector for GL1800/D/DA.



5. Install the custom seat in the reverse order of removal.

6. Install the motorcycle's parts in the reverse order of removal.

- Confirm that any wire harness is not caught or too tight.