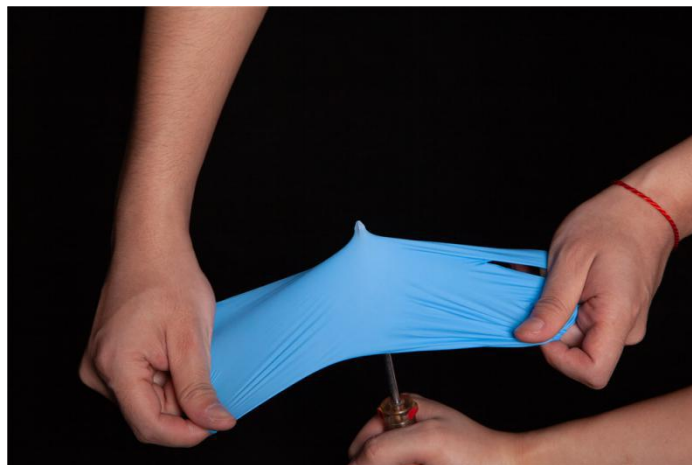


Nitrile gloves



GENERAL DESCRIPTION:

- Puncture resistant, tear resistant, blade cut resistant, abrasion resistant.
- Combines excellent fingertip sensitivity with exceptional durability
- Excellent flexibility and strength.
- Smooth surface offers comfort feeling.
- Could be well used in both dry and wet conditions.
- Lightweight and comfortable to wear
- Gives a high level of protection against grease and oil
- The size / thickness/color /packing can be made as request.

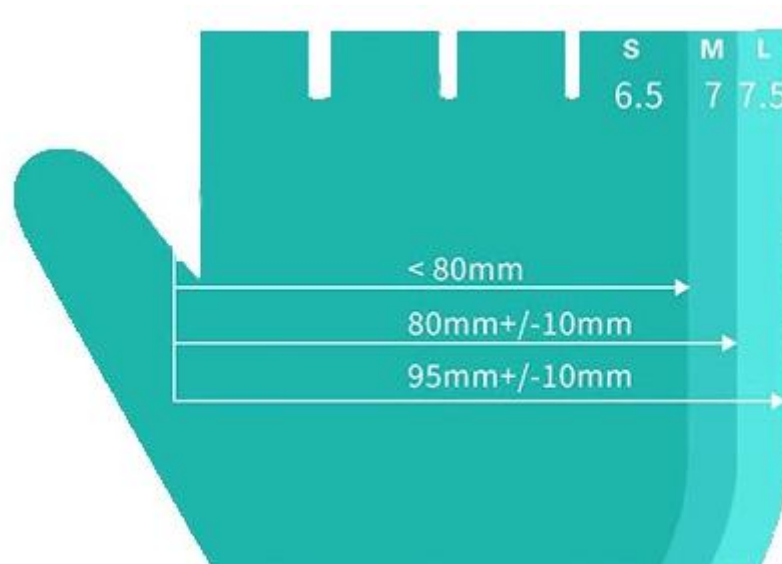


Haotai Protective Equipment CO., LTD

Factory Add: Fenghua Road, Industrial Park, Shouxian County, Anhui province, China

Office Add: C Seat, Room 917 of blue business port, No.188 Qianshan Road, Administrative District, Hefei, China
230081

SIZE:



- Size: S, M, L
- Weight: 4kg(S), 4.5kg (M), 5kg (L)

MATERIAL:

- Nitrile

COLOR:

- Blue , white, black optional

ITEM CODE:

Style No	Color	Pack Size
HT20700	Blue	1,000pcs
HT20710	White	1,000pcs
HT20720	Black	1,000pcs

Haotai Protective Equipment CO., LTD

PACKAGE:

- 100pcs per bag, 1000pcs per carton
- Dimension: size:32cmx25cmx25cm
- Qty/1x20' GP: 1450ctns
- Qty/1x40' GP: 3000ctns
- Qty/1x40' HQ: 3500ctns

