



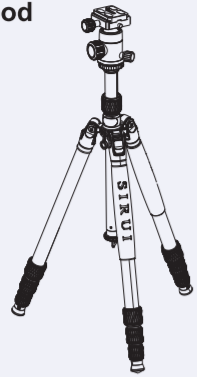
SIRUI, Capturing Your Imagination!

Instructions

Traveler 7 Series Tripod



SIRUI WEBSITE



GUANGDONG SIRUI OPTICAL CO.,LTD.

Add: The Third Industrial District, Wuguishan Town, Zhongshan City, Guangdong, China (Zip Code: 528438)
Tel: 86-760-88897213 Fax: 86-760-88207062
E-mail: info@sirui-photo.com Website: www.sirui.com

1. Know the Product

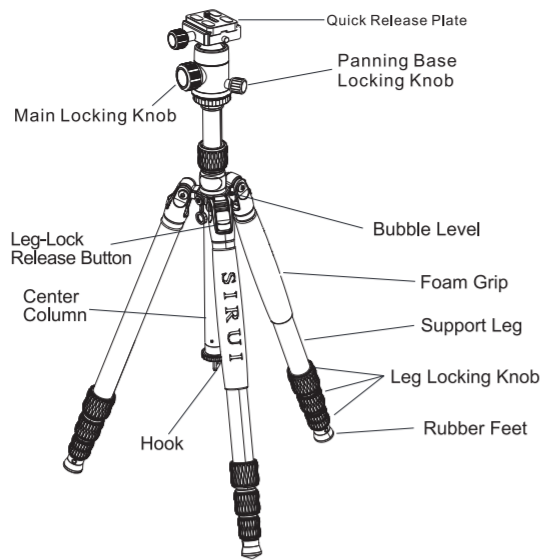


Fig.1

2. Leg Angle Adjustments and Folding

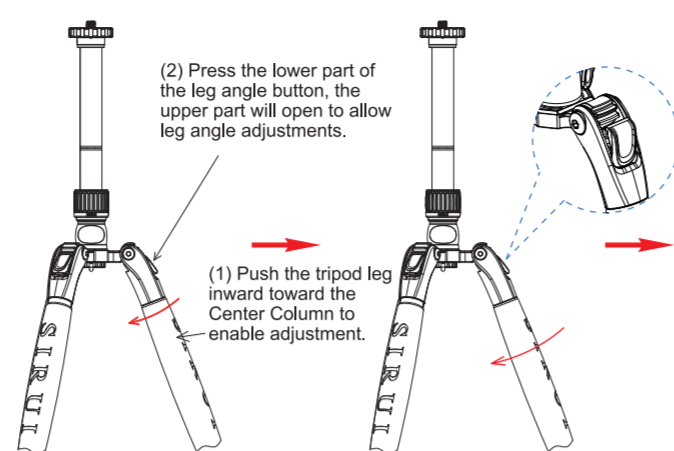


Fig.2-1

Fig.2-2

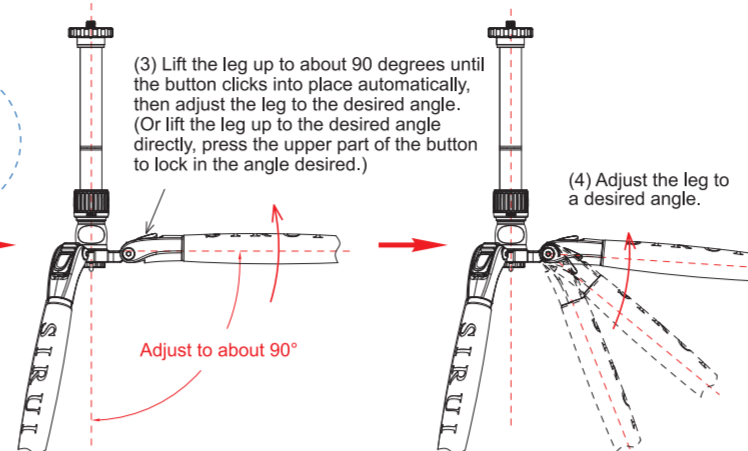


Fig.2-3

Fig.2-4

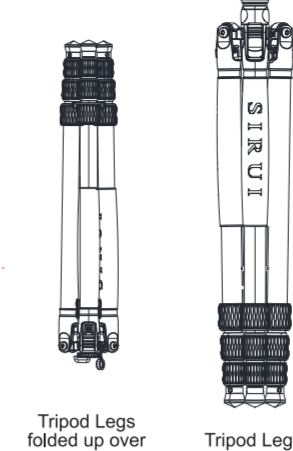


Fig.2-5

Fig.2-6

3. Extend or Retract the Tripod Legs

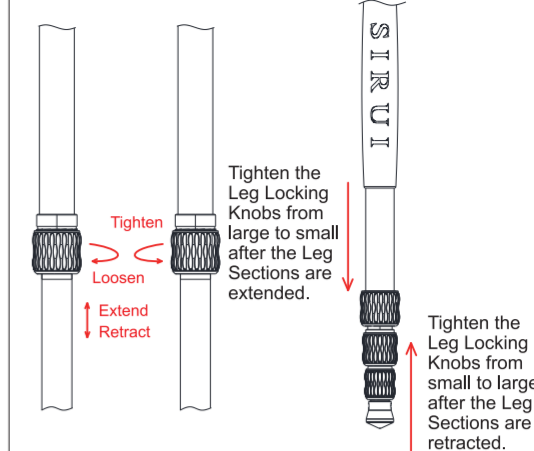


Fig.3-1

Fig.3-2

Traveler 7 Series Tripod Data Chart

Model	Section	Max. Load	Weight	Max. Height	Min. Height	Max. Spread	Min. Spread	Max. Leg Length	Min. Leg Length	Max. Leg Angle	Min. Leg Angle
Traveler 7A	4	25.8/7.01	15.0/3.9	480/18.9	166/6.55	635/25.0	480/18.9	1735/68.3	520/20.47	1.86/4.16	81/7.6
	3	25.8/7.01	15.0/3.9	480/18.9	166/6.55	635/25.0	480/18.9	1735/68.3	520/20.47	1.86/4.16	81/7.6
	2	25.8/7.01	15.0/3.9	480/18.9	166/6.55	635/25.0	480/18.9	1735/68.3	520/20.47	1.86/4.16	81/7.6
	1	25.8/7.01	15.0/3.9	480/18.9	166/6.55	635/25.0	480/18.9	1735/68.3	520/20.47	1.86/4.16	81/7.6
Traveler 7C	4	25.8/7.01	15.0/3.9	480/18.9	166/6.55	635/25.0	480/18.9	1735/68.3	520/20.47	1.86/4.16	81/7.6
	3	25.8/7.01	15.0/3.9	480/18.9	166/6.55	635/25.0	480/18.9	1735/68.3	520/20.47	1.86/4.16	81/7.6
	2	25.8/7.01	15.0/3.9	480/18.9	166/6.55	635/25.0	480/18.9	1735/68.3	520/20.47	1.86/4.16	81/7.6
	1	25.8/7.01	15.0/3.9	480/18.9	166/6.55	635/25.0	480/18.9	1735/68.3	520/20.47	1.86/4.16	81/7.6

4. Use of the Center Column

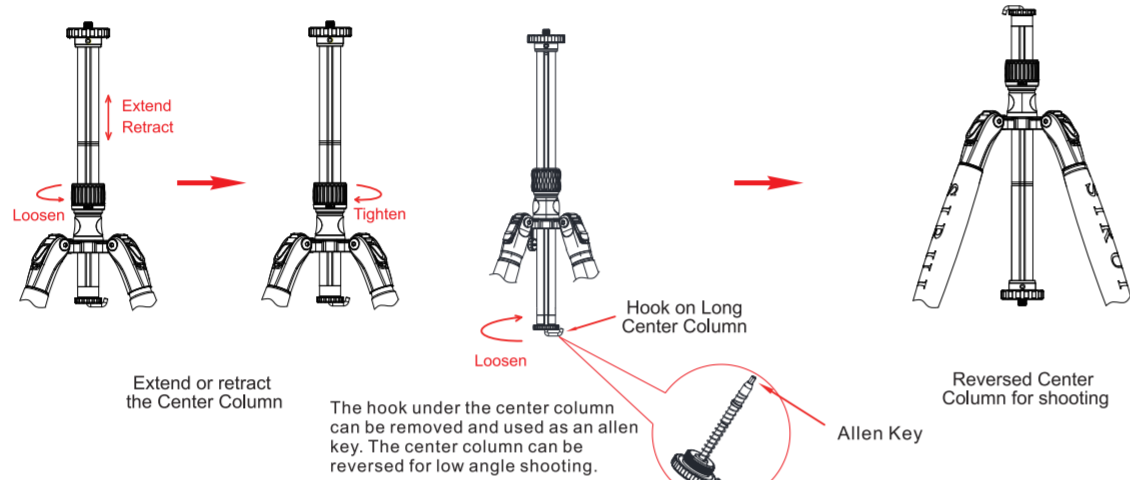


Fig.4-1

Fig.4-2

Fig.4-3

Fig.4-4

5. Convert the Detachable Leg into a Monopod

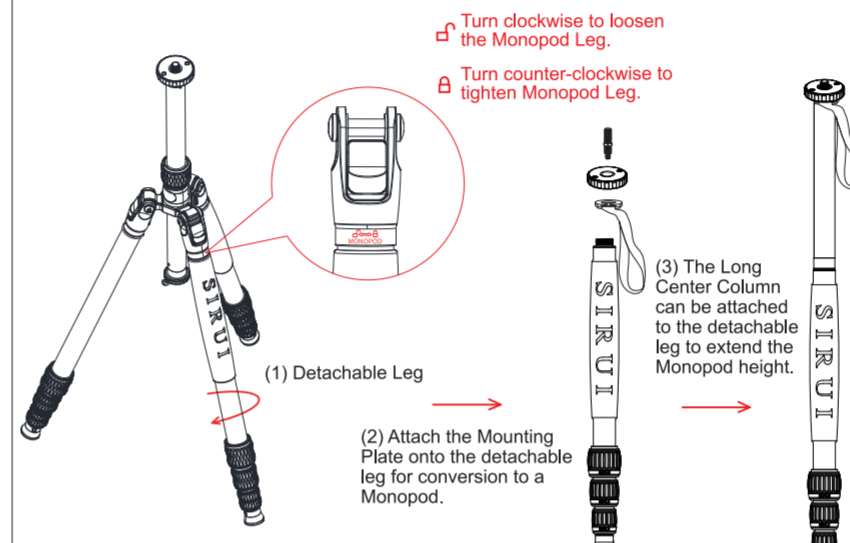


Fig.5-1

Fig.5-2

Fig.5-3

6. Change the Rubber Feet to Spiked Feet

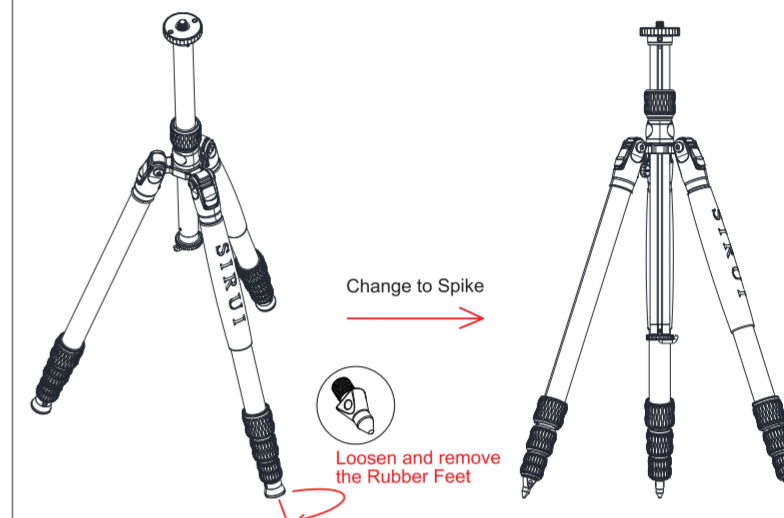
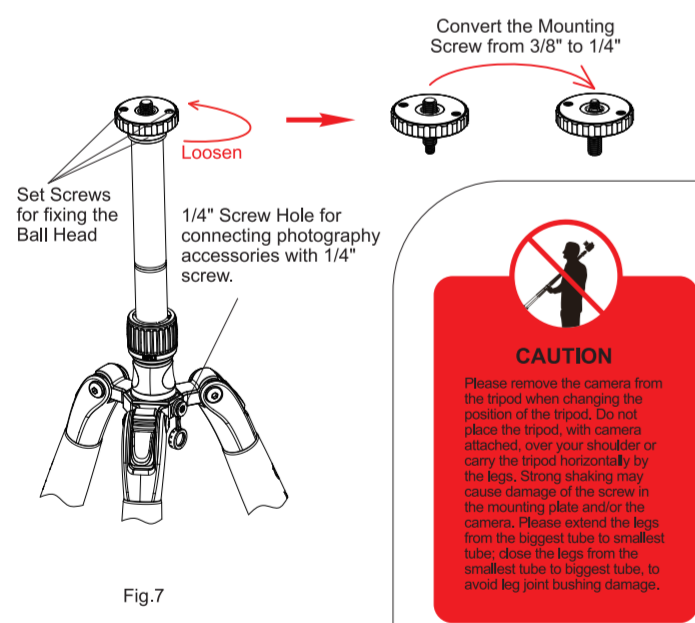


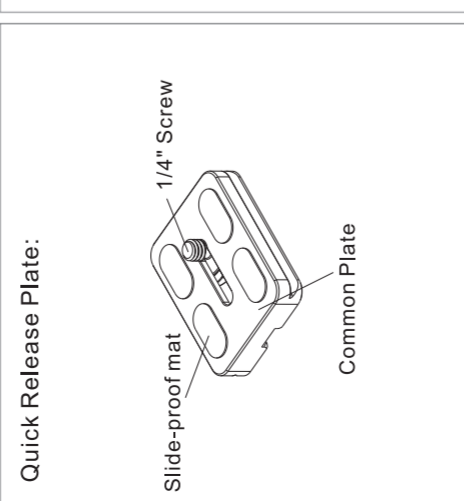
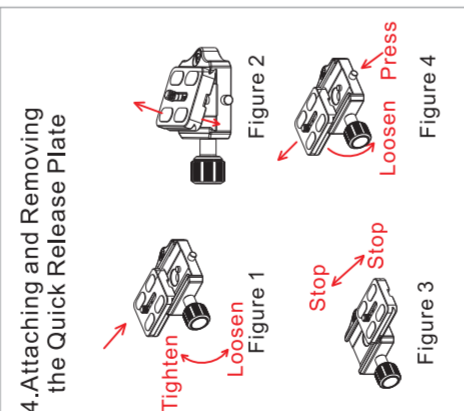
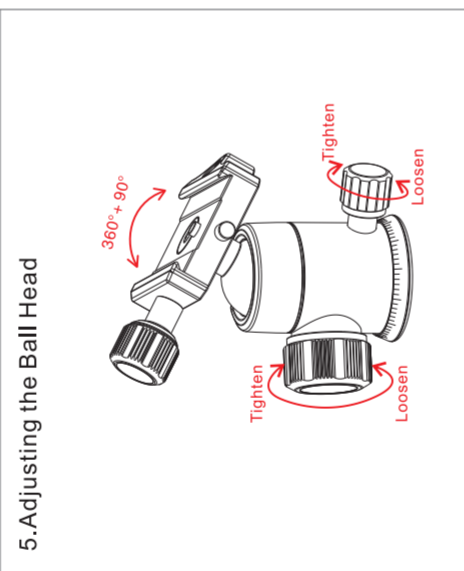
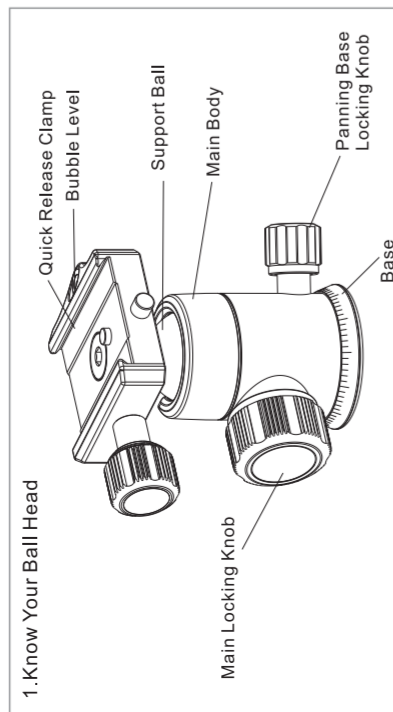
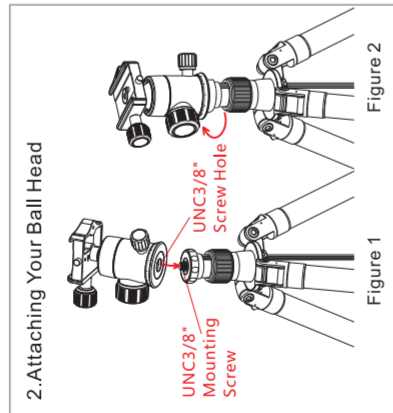
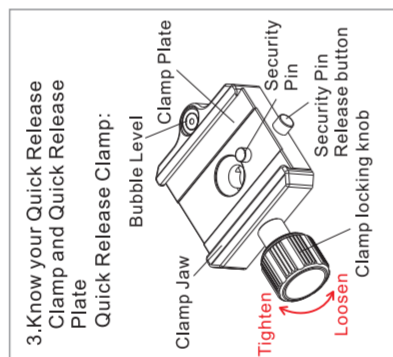
Fig.6-1

Fig.6-2

7. Use of Mounting Screw, Set Screw and 1/4 screw accessory mounting hole.



1. Know your Product (Fig.1)
2. Leg Angle Adjustments and Folding
The Tripod can be adjusted to 3 angles (22°, 52°, 82°). Press the button and lift up the leg to about 90°, the button will automatically click back in place and lock the leg angle automatically. Close or fold up the tripod legs as Fig.2-1 to Fig.2-4.
3. Extend or Retract the Tripod Legs (Fig.3-1 and Fig.3-2)
Loosen the Leg Lock Knobs with 1/2 turn clockwise all at the same time or separately to extend the Leg Sections to the desired length. Lock the Leg Sections from small to large by loosening or locking the Leg Lock Knobs.
4. The hook under the center column can be removed and used as an allen key. The center column can be reversed for low angle shooting. (Fig.4-11 to Fig.4-4)
5. Convert the Detachable Leg into a Monopod (Fig.5-1 to Fig.5-3)
The Detachable Leg of the Tripod can be converted into a Monopod, and connect with the Long Center Column for additional height of the Monopod.
6. Change the Rubber Feet to Spike (Fig.6-1 and Fig.6-2)
Loosen and remove the Rubber Feet for changing to Spike.
7. Use of Mounting Screw, Set Screw and 1/4 screw accessory mounting hole. (Fig.7).



1. Know Your Ball Head
2. Attaching Your Ball Head
a. To attach the ball head onto the tripod, you must make sure that the mounting screw of your tripod is 3/8". If it is 1/4" you will need to get a 3/8" screw or adapter. Many professional tripods have reversible screws. Please check your tripod manual for more details.
b. Lock the Panning Base Knob by turning it in a clockwise direction. As shown on Figure 1 & 2, align the 3/8" thread hole at the bottom of the Ball Head with the mounting screw on the tripod. Hold by the base of the Ball Head and rotate in a clockwise direction until it is locked tightly.

3. Know your Quick Release Clamp and Quick Release Plate
4. Attaching and Removing the Quick Release Plate
a. Attaching the QR Plate to Your Camera
Select the QR Plate that matches the base of your camera. (To prevent excessive wear to the camera's tripod socket, you should not frequently attach and remove the Quick Release Plate. It is quite common to leave the QR Plate permanently attached to the camera.)
The side of the quick release plate with the slide-proof rubber mat must be facing the base of the camera. Make sure the QR plate screw aligns with the tripod socket on the bottom of the camera.

- b. Attaching the camera with QR Plate onto the Ball Head
Slightly loosen the Clamp Locking Knob by turning it counter-clockwise, slide the QR Plate laterally into the Quick Release Clamp (Figure 1) and tighten the clamp by turning clockwise. Another method is to fully open the Clamp Locking Knob and place the plate in from the top (Figure 2). Tighten the knob to lock the camera in place.
- c. Security Pin on the Quick Release Clamp
There is a safety lock on the top of the Quick Release Clamp that effectively prevents the camera from sliding off the clamp if it is slightly loosened (Figure 3). This allows you to make minor adjustments of the camera position on the ball head without worrying about the camera sliding off the Quick Release

Clamp. This feature is available with all Sirui QR plates. (Warning: While other styles of QR plates can be used on Sirui Ball Heads, this safety feature may not be available with other brands of QR plates. Even with the Sirui QR Plates, you should hold your camera while loosening the Quick Release Clamp).

- d. Removing the Camera with QR Plate from the Ball Head
While holding the camera, loosen the Clamp Locking Knob by slightly turning it counter-clockwise. Push in the Security Pin Release Button and slide the camera off the Clamp Plate (Figure 4). You can also remove the camera by fully opening the clamp and lifting the camera out of the clamp.

5. Adjusting the Ball Head
a. Mount your camera onto the Ball Head.
b. While holding the camera, loosen the Main Locking Knob.
c. Adjust your shooting position and tighten the locking knob.
Before locking the ball head, you may want to use the bubble level to make sure it will be horizontal.

Note: Please make sure that the Quick Release plate is securely attached to the camera, to prevent the camera from detaching from the plate. Please check this attachment regularly.

Announcements

- Do not exceed the recommended load limit of the ball head and/or tripod. (Please refer to product specifications.)
- Please make sure that the locks are securely tightened when in use.
- This product should not be used in environments that exceed the following conditions (-40 ~ +100°C/-40 ~ 212°F).
- When used in damp, dirty or dusty environments, please clean and dry thoroughly after use, to assure proper functioning in the future.
- Please keep from high temperatures and direct exposure to bright sunlight for extended periods of time.
- To protect your camera gear, please remove it from the tripod/ball head when transporting from place to place.
- Prevent sand, grit and other foreign matter from getting into the interior of the Ball Head. If the Ball Head does not move smoothly, please use a clean, soft cloth to gently wipe the Ball mechanism.
- There is no need to lubricate any parts of this product. The addition of lubricants will gum up the mechanisms and reduce their normal gliding characteristics. The construction of Sirui professional Ball Heads is very precise, so extra maintenance is not needed.
- Please keep this product away from all electrical power sources.

Global Distributor Directory



Products Info



Official Website

News and Tutorials



YouTube

Services



Facebook

Thank you for purchasing SIRUI products! SIRUI will provide free warranty service if the product fails due to poor materials and workmanship under normal use.

The global agents are ranked in no particular order. If after-sales service is required, please contact the local agent first.

Headquarter of SIRUI Optical Co., Ltd.

After-Sale Service Hotline: 400 830 2299

Complaints Hotline: 181 6563 9388

Singapore/T K Foto Technic Pte Ltd

Address: Funan 107 North Bridge Rd #03-09 Singapore 179105

Tel: +65 6904 6610 **Fax:**+65 6904 6620

http: //www.tkfoto.com.sg **E-mail:** ark@tkfoto.com.sg

India/Foto centre Trading Pvt. Ltd

Address: Foto Centre Trading Pvt.Ltd* 303, 3rd Floor, Ravi Building, 189-191, Dr. D. N. Road, Mumbai-400 001.Maharashtra,India **Tel:** 0091-9820110120

http: //www.sirui.in **E-mail:** info@sirui.in

Canada/LightPro Group Inc

Address: 3206 Wharton Way Mississauga, ON L4X 2C1

Toll Free: 1-800-361-9682 **Tel:** 905-940-9262

http: //www.lightprogroup.com **E-mail:** Sales@lightprogroup.com

Kazakhstan/PSP Digital

Address: г. Алматы, проспект Абая 130 (территория ЖК «Абая 130»)

Tel: 8 707 217 03 99 8 707 958 54 94

http: //pspdf.kz/contacts **E-mail:** pspkz@mail.ru

Russia /REQUIRED, LLC

Address:

Tel: 8 (499) 500-96-27

http: //kremlinstore.ru **E-mail:** order@kremlinstore.ru

Romania/West Buy S.R.L

Address: Bdul. Mircea Voda nr. 36, Sector 3, Bucharest, Romania, 030688
Telephone: +(4)021.3205652 **Tel/Fax:** +(4)021.3205655 **Mobile:** +(4)0745414956
Mobile: +(4)0752111704 **Mobile:** +(4)0756111947 **Mobile:** +(4)0752110439
http: //www.westbuy.ro **E-mail:** westbuy1@gmail.com

Slovenia/Infocona d.o.o

Address: Prevale 9, 1236 Trzin
Tel: 01/ 562 00 61 **http:** // **E-mail:** info@infocona.si

Turkey/siruruturkiye

Address: Çobançesme Mah. Sanayi Cad. Kimiz Sk. No:12 Yenibosna Bahçelievler, Istanbul
Tel: 0(850)222 37 73
http: //www.siruruturkiye.com **E-mail:** oceltikci@essegrup.com

Hong Kong/HONG KONG RUIJIE TRADING COMPANY LIMITED

Address: UNIT C 15/F HUA CHIAO COMM CTR 678 NATHAN RD MONGKOK KL
Tel: 00852-9409 5241
http: // **E-mail:** paulli34@foxmail.com

South Africa/Sunshine Distribution PTY LTD

Address: 29 Keyes Avenue, Rosebank Johannesburg, 2196, South Africa
Mobile: +27 79 641 0288 **Phone:** +27 11 268 0803
http: //www.sunshineco.co.za **E-mail:** Willem@sunshineco.co.za

Israel/Argol LTD

Address: 19 Hamerkava st.Holon 5885113 Israel
Tel: +972-3-5581901-6 **Fax:** +972-3-5501148
http: //www.argol.co.il **E-mail:** eli@argol.co.il

Malaysia/Leomax (M) Sdn Bhd

Address: B-5-7, block B, Pusan komersial southgate Jln dua, off jln Chan sow Lin 55200 Kuala Lumpur, Malaysia **Tel:** (+603)9224 2001
http: //www.leomax.com.my **E-mail:** account@leomax.com.my

Panama /TODO FOTO PANAMA

Address: Avenida Justo Arosemena y Cl. 45 Este,Panamá Ciudad de Panamá
Tel: 225-4620 / 203-1288
http: //www.todofotopanama.com **E-mail:** rosa@todofotopanama.com

Nigeria/Nextgen Media Ltd

Address: 73, Allen Avenue, Ikeja, Lagos
M. +234 (0) 805 1987 394 | +234 (0) 909 1094 565
http: //www.nextgentv.tv **E-mail:** Afolasade.OK@nextgentv.tv

Ukraine/BIGggSALE.com

Address: Ровно: ул. Данила Галицького 19, 718 офіс. (Главный офіс)
Tel: (096)308-36-00;(063)308-36-00;(066)308-36-00
http: //BIGggSALE.com **E-mail:** shop@bigggsale.com

Luxembourg /TSE Imaging BV

Address: Argonweg 135, 1362 AD Almere,
Tel: +31 (0) 36 8450348
http: //www.tseportal.nl **E-mail:** service@tokina.eu

Belgium/TSE Imaging BV

Address: Argonweg 135, 1362 AD Almere,
Tel: +31 (0) 36 8450348
http: //www.tseportal.nl **E-mail:** service@tokina.eu

Italy /TOSCANA FOTO SERVICE S.r.l.

Address: Via Ponte all' Asse, 2/4, 50019 Sesto Fiorentino (FI)
Tel:
http: //www.sirui-italia.it **E-mail:** info@fotocomm.it

Poland/Focus Nordic

Address: Al. Jerozolimskie 180, 02-486 Warszawa
Tel: +48 697 991 248
http: //www.focusnordic.pl **E-mail:** info@focusnordic.pl

Taiwan/Tai Nein Company Ltd.

Address: 2F, No.29, Ren Ai Road, Sec 2, Taipei, Taiwan

Tel: +886-2-33433966 **Fax:** +886-2-33433969

http: //www.lf99.com **E-mail:** tainein@ms23.hinet.net

Thailand/ 456 Marketing Company Ltd

Address: 636/12 Soi Ramkhamhaeng 39 (Thepleela1), Wangthonglang, Bangkok 10310, Thailand. **Tel:** (+662)934-6565

http: //www.456mkt.com **E-mail:** online@456mkt.com

Japan/常盤写真用品株式会社

Address: 〒460-0011 名古屋市中区大須4丁目3番43号

Tel: 052-251-0351 **Fax:** 052-251-0981

http: //www.sirui-japan.com **E-mail:** takahashi@tokiwasyashin.co.jp

New Zealand/Photogear

Address: (1) 3/2 Tawa Drive, Rosedale, Auckland (2) 49 Mackelvie Street, Ponsonby, Auckland

Tel: (+64) 9 4792886

http: //www.photogear.co.nz **E-mail:** support@photogear.co.nz

Slovakia/Focus Nordic AB

Address: KUTA centrum, Zelený pruh 95/97, 140 00 Praha 4, Česká Republika

Tel: +420 604 582 550

http: //www.focusnordic.sk **E-mail:** info@focusnordic.sk

Czech Republic/Focus Nordic

Address: Zeleny pruh 95/97, 140 00 Praha 4

Tel: +46 31 336 23 00

http: //www.focusnordic.cz **E-mail:** info@focusnordic.cz

Netherlands/TSE Imaging BV

Address: Argonweg 135, 1362 AD Almere,

Tel: +31 (0) 36 8450348

http: //www.tseportal.nl **E-mail:** service@tokina.eu

Estonia/Focus Nordic

Address:

Tel: +46 31 336 23 00

http: //www.focusnordic.ee **E-mail:** info@focusnordic.ee

Vietnam (Hanoi)/SÔNG HỒNG CAMERA

Address: SÔNG HỒNG CAMERA - 44 TRĂNG THI, HOÀN KIẾM, HÀ NỘI

Tel: Hotline CH: 098.888.2533 - 024.3938.2267

http: //www.songhongcamera.com **E-mail:** banhang@songhongcamera.com

Vietnam (Ho Chi Minh)/Rawshop.vn

Address: 61 Đường Núi Thành, Phường 13, Tân Bình, Thành phố Hồ Chí Minh, Vietnam

Tel: 00842862656999

http: //rawshop.vn **E-mail:** thanhnam79@gmail.com

Saudi Arabia/Cameramix

Address: Al-Manar, Jeddah 23462 Saudi Arabia

Tel: 00966126282444

http: //cameramix.com **E-mail:** sales@cameramix.com

“ريمدع نب بيهو” Al-Manar,
Jeddah 23462 Saudi Arabia

Republic of Korea/ Daekwang Enterprise

Address: Namdaemunno 10, Jung-gu, Seoul, South Korea (zip: 04528)

Tel: (+82) 2-752-3304

http: //www.sirui.co.kr **E-mail:** daekwangas@gmail.com

Australia/ DISCOUNT DIGITAL PTY LTD

Address: Suite1,64 Alexander St, crows Nest NSW2065, Australia

Tel: (+61)408 660 083

http: //www.pixelone.com.au **E-mail:** sales@pixelone.com.au

Indonesia/ Focus Nusantara

Address: Jln.Tanah Abang II No 77 Jakarta Pusat -10160, Indonesia

Tel: (+62)21 380 8080

http: //focusnusantara.com **E-mail:** saiful@focusnusantara.com

Republic of Lithuania /Focus Nordic

Address: Vienibas Avenue 109, LV-1058 Riga Latvia

Tel: +37 06 12 86 120

http: //www.focusnordic.lt **E-mail:** info@focusnordic.lt

Sweden/Focus Nordic AB

Address: Bergsjödalen 48, 41568 Gothenburg

Tel: +46 31 336 23 00

http: //www.focusnordic.com **E-mail:** info@focusnordic.se

Norway/Focus Nordic

Address: Ringeriksveien 164, 1339 Vøyenenga

Tel: +47 67 17 37 00

http: //www.focusnordic.no **E-mail:** info@focusnordic.no

Finland/Focus Nordic

Address: Knitter Business Park, Kutojantie 6-8, FI-02630 Espoo

Tel: +35 89 42 83 41 01

http: //www.focusnordic.fi **E-mail:** info@focusnordic.fi

Denmark/Focus Nordic

Address: Erhvervsvej 30, DK-2610 Rodovre

Tel: +46 31 336 23 00

http: //www.focusnordic.dk **E-mail:** info@focusnordic.dk

Iceland/Focus Nordic

Address:

Tel: +46 31 336 23 00

http: //www.focusnordic.is **E-mail:** info@focusnordic.is

Latvia /Focus Nordic

Address: Vienibas Avenue 109, LV-1058 Riga Latvia

Tel: +46 31 336 23 00

http: //www.focusnordic.lv **E-mail:** info@focusnordic.lv

Sri Lanka/CameraLK Store

Address: CameraLK Colombo: 263, Highlevel Road Colombo 05 00500 - Western

CameraLK Majestic City: No 28, 3rd Floor Majestic City Colombo 04 00400 - Western

CameraLK Kandy: 127A 1/1 D S Senanayake Veediya Kandy 20000 - Central Province
0812233872

Tel: +(94) 117 817 870

http: //www.cameralk.com **E-mail:** ushitha@cameralk.com

Kenya/Cameras Africa

Address: Nairobi along Kenyatta Avenue, next to Phoenix House. 1 Min Walk from Sentrim 680
Hotel

Tel: 00254722764900

http: //www.camerasafrica.com **E-mail:** sales@camerasafrica.com



Garantie
Warranty
Garantía
Garanzia



SIRUI Professional Photographic Equipment

Product	Warranty length	Produkt	Garantie Zeitraum
Tripods / Monopods / Heads / Accessories	6 years	Stative / Köpfe / Zubehör	6 Jahre
Humidity Control Cabinet (only Cabinet)	6 years	Humidor Schränke (nur Schränke)	6 Jahre
Humidity Control Cabinet (Electronics)	3 years	Humidor Schränke (elektronisch)	3 Jahre
Filters / Smartphonetools / Electronic Devices	2 years	Filter / Smartphonezubehör / Elektronische Geräte	2 Jahre

Model, Modell, Modèle, Modelo

Date, Datum, Fecha, Data

Dealer, Händler, Marchand, Comerciante, Negociante

European Service Center:

SIRUI Optical GmbH • Ernst-Augustin-Str. 1a • 12489 Berlin • Germany
Phone: +49 30 991 94 94 00
Email Address : info@siruioptical.eu

Deutsch

Die SIRUI Optical GmbH, Ernst-Augustin-Str. 1a, 12489 Berlin, gewährt Käufern eine Garantie von 6 Jahren ab Kaufdatum auf die Freiheit von Herstellungs- und Materialfehlern dieses Produkts. Von dieser Garantie nicht erfasst sind Schäden durch mechanische Beeinträchtigungen, große Hitze, nicht bestimmungsgemäße Verwendung sowie Abhandenkommen. Diese Garantie gilt nur in Verbindung mit dieser Garantiekarte und einem in Europa ausgestellten Kaufbeleg. Die gesetzlichen Rechte – insbesondere die gesetzlichen Gewährleistungsrechte – bleiben hiervon unberührt. Im Garantiefall wenden Sie sich bitte an das umseitig genannte Servicecenter.

English

SIRUI Optical GmbH, Ernst-Augustin-Str. 1a, 12489 Berlin, guarantees purchasers that this product will remain free from manufacturing and workmanship defects for 6 years from the date of purchase. Damage caused by mechanical damage, excessive heat, improper use and loss are not covered by this warranty. This warranty is valid only in connection with this warranty card and a receipt issued in Europe. Statutory rights – in particular the statutory warranty rights – remain unaffected. In the event of a warranty claim please contact the service centre listed overleaf.

Français

La société SIRUI Optical GmbH, Ernst-Augustin-Str. 1a, 12489 Berlin, Allemagne, offre aux acheteurs une garantie de 6 ans, à compter de la date d'achat, contre tous défauts de fabrication ou de matériaux. Cette garantie ne couvre pas les dommages causés par des problèmes mécaniques, la chaleur excessive, l'utilisation abusive et la perte. La garantie est uniquement valable si associée à la présente carte de garantie et une preuve d'achat délivrée en Europe. Les droits légaux – en particulier les droits de garantie prévus par la loi – restent inchangés. En cas de recours à la garantie, veuillez vous adresser au centre de service mentionné au recto.

Italiano

La SIRUI Optical GmbH, Ernst-Augustin-Str. 1a, 12489 Berlin, offre agli acquirenti una garanzia di esenzione da difetti di fabbrica e di lavorazione di questo prodotto, della durata 6 anni dalla data di acquisto. Tale garanzia non copre alcun danno causato da guasto meccanico, calore eccessivo, uso improprio nonché perdita. La garanzia è valida solo se accompagnata dalla presente scheda di garanzia e ad una prova di acquisto rilasciata in Europa. I diritti legali - in particolare, i diritti di garanzia previsti dalla legge - rimangono inalterati. In caso di intervento in garanzia, si raccomanda di rivolgersi al centro di assistenza indicato sul retro.

Español

La sociedad SIRUI Optical GmbH, Ernst-Augustin-Str. 1a, 12489 Berlin, otorga a sus compradores una garantía de 6 años a partir de la fecha de compra por los vicios ocultos y defectos de fabricación de este producto. La garantía no cubrirá los daños ocasionados por desgastes mecánicos, altas temperaturas, un uso no conforme con lo prescrito o por pérdida o extravío, y sólo será válida presentando esta carta de garantía y el comprobante de compra expedido en Europa. Lo anterior no afectará a los derechos legales y, en particular, a los derechos de garantía legales. En el caso contemplado en la garantía, le rogamos se ponga en contacto con el Centro de atención al cliente, cuya dirección consta en el dorso de esta carta de garantía.

Portugués

A SIRUI Optical GmbH, Ernst-Augustin-Str. 1a, 12489 Berlin, garante aos seus clientes uma garantia de 6 anos a partir da data de aquisição relativa à liberdade de defeitos de produção e fabrico do produto. Esta garantia não cobre danos causados por efeitos adversos decorrentes de avaria mecânica, calor excessivo, utilização indevida, ou perda. Esta garantia é apenas válida mediante apresentação deste cartão de garantia e um recibo emitido na Europa, sem prejuízo dos direitos legais (em particular, os direitos legais de garantia). Em caso de reclamação, contate o centro de serviço referido no verso.

SIRUI Warranty

Professional Photographic Equipment



Thank you for your purchase of Sirui professional products! Sirui warrants that your purchase is free from defects in materials and workmanship, under normal use during the Limited Warranty period. The warranty period starts on the original date of purchase on your sales receipt. If service is required, please include a copy of the sales receipt and this warranty card, with an explanation of the problem. Please store your sales receipt and warranty card in a safe location.

Product	Warranty period
Tripods and Heads	6 years
Optical and Smart Products	1 year (Battery: 6 months)
Humidity Control Cabinets	6 year (Electronic components: 3 years)

Model purchased : _____

Date : _____

Store : _____

Serial number : _____

Sirui USA Limited Warranty

This warranty is limited to the repair, adjustment and/or replacement, at Sirui or its authorized distributor's option, of defective parts, free of charge (except the cost of transportation to the distributor/service center). Responsibility is limited to actual cost of item.

Register online at www.sirui.com. Call or email with questions or problems, before sending product in for repair. For warranty service on product purchased in the USA, all shipping and insurance charges must be prepaid. Include a copy of the sales receipt, this warranty card and an explanation of the problem. The product or defective part(s) may be sent through a local authorized SIRUI USA dealer or directly to the SIRUI USA distributor/service center indicated on this warranty card. Sirui will not be responsible for expenses or inconveniences, or consequential damages to equipment, or by breach of any expressed or implied warranty.

Out-of-warranty repairs - An estimate (including shipping costs) will be provided by the SIRUI USA distributor/service center indicated on this warranty card and repairs will begin once the estimate is approved and payment is received. A return shipping fee will be charged for refused estimates.

Limitations

Warranty is non-transferable. This warranty covers all defects encountered in normal use of the equipment and does not apply in the following cases:

- 1) If the equipment has been serviced by other than an authorized Sirui distributor or service center.
- 2) Damage to the equipment due to modification, overloading, mishandling, abuse, accident, sand, corrosives, water damage or not following operating instructions.
- 3) No valid proof of purchase is provided.
- 4) Damage caused by acts of nature (including, but, not limited to fires, floods or earthquakes).

This warranty is only valid when product is purchased from an authorized SIRUI USA dealer.

Please visit SIRUI's USA official website or consult the local dealer for the Return and Exchange Policy.



SIRUI USA, LLC

For technical support, service or repairs please, contact:

29 Commerce Court Verona, NJ 07044

info@sirui.com Phone: 866-373-0829