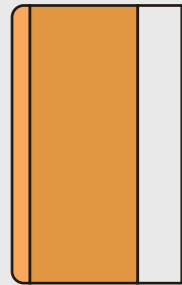
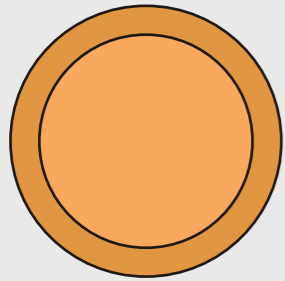
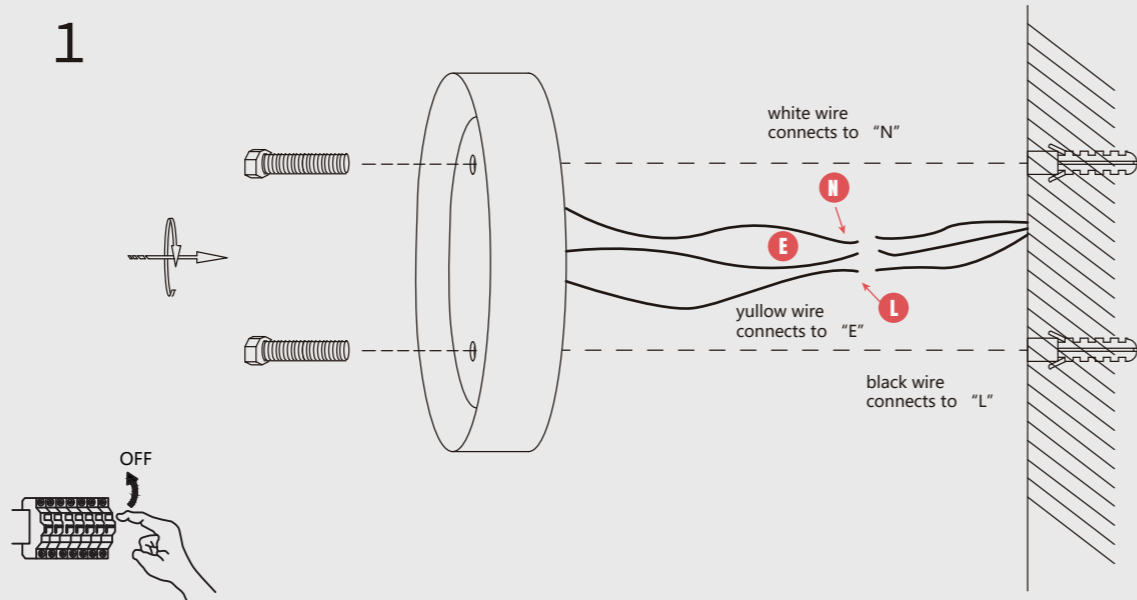


Installation Instructions



Dimple Flush Mount
Wall Lamp

WL0016

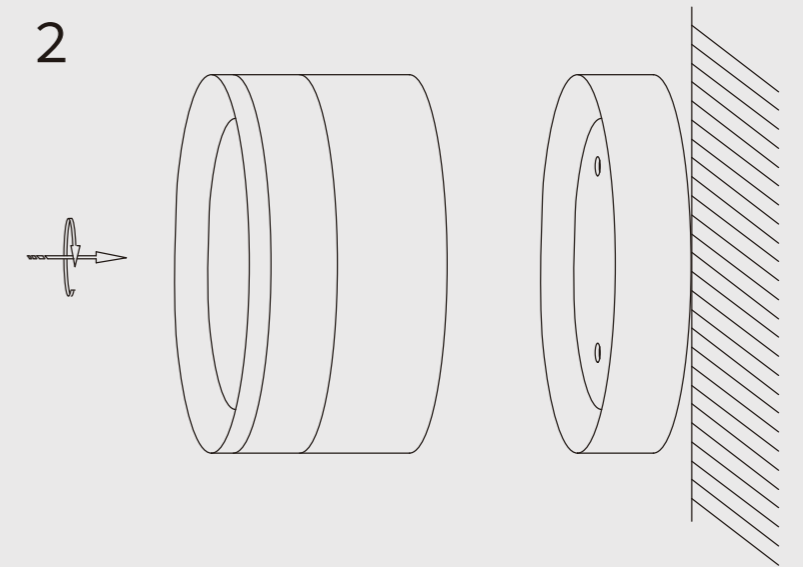


1 Cut off the power system in your home to keep safe.

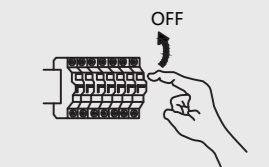
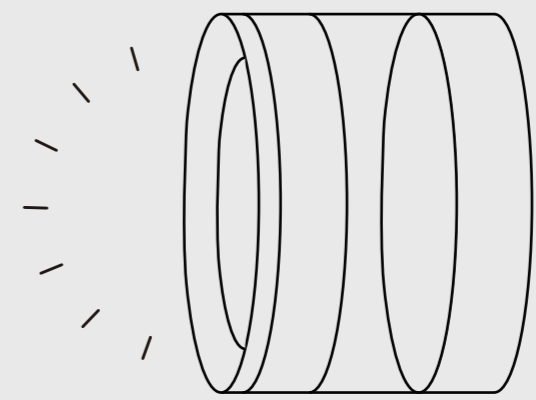
THE LAMP INSTRUCTION



Maintenance	Precautions
1.Voltage:110-240V	Keep the lighting away from acidic chemical solvents to avoid damage.
2.Please wear gloves when install.	
3.Don't install it on the moist ceiling.	Tip
4.Turn off the power before cleaning out.	Please follow the instructions then install the parts in the correct order.
5.Please wash with the sanitizer without corrosivity.	



2 Install lampshade.



3 Turn on the power.