

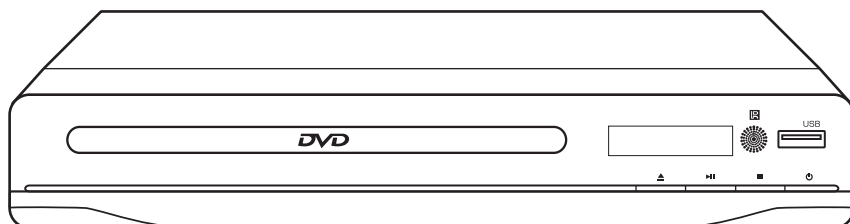
# DBPOWER

---


## MULTIMEDIA PLAYER

### ZC-01

# USER MANUAL



 [support@dbpowershop.com](mailto:support@dbpowershop.com)

 1-855-888-5533

# Contents

<b>1. SAFETY INSTRUCTIONS</b> .....	<b>1</b>
<b>2. Instruction</b> .....	<b>3</b>
<b>3. Package Contents</b> .....	<b>3</b>
<b>4. Unit Diagram</b> .....	<b>4</b>
4.1 FRONT PANEL.....	4
4.2 REAR PANEL.....	4
<b>5. Remote Control</b> .....	<b>5</b>
5.1 Remote Control Operations Guide .....	5
5.2 Batteries replacement .....	6
<b>6. Connection</b> .....	<b>6</b>
6.1 Connect to TV via standard audio/video cable (not included).....	7
6.2 Connect a TV via YUV output .....	7
6.3 Connect a TV and Projector via HDMI AV Cable (included) .....	8
<b>7. Basic Multimedia Player Operations</b> .....	<b>8</b>
7.1 Before you begin.....	8
7.2 PLAY.....	8
7.3 PAUSE.....	9
7.4 FORWARD/REVERSE .....	9
7.5 SKIP NEXT/PREVIOUS.....	9
7.6 STOP.....	10
<b>8. Additional Features</b> .....	<b>10</b>
8.1 Using the USB Flash Drive.....	10
8.2 JPEG, MP3 Discs Operations .....	10
8.3 Repeat Feature.....	11
<b>9. Setting</b> .....	<b>11</b>
<b>10. Technical Specifications</b> .....	<b>15</b>
<b>11. Troubleshooting</b> .....	<b>15</b>

# 1. SAFETY INSTRUCTIONS

Please save this instruction. You may need it in the future.

Here are some basic safety precautions that you should carefully follow as you use your new DBPOWER ZC-01 Multimedia Player. Read all instructions carefully! DBPOWER is not responsible for damage or injuries caused by improper use of the appliance.

- 1) READ ALL INSTRUCTIONS.
- 2) Remove any packaging material before using this appliance.
- 3) Moisture - Do not expose this apparatus to water or moisture. To prevent fire or electric shock hazard, do not place objects filled with liquid on the Multimedia Player upper surface. If liquid enters the unit, unplug the device immediately. Please ensure to install the player in an area where access to the AC power cord is available so that the unit may be unplugged from the wall socket immediately in the event of trouble or if the liquid is spilled onto the unit.
- 4) NOTE: If the unit is brought directly from a cold to a warm location, or is placed in a very damp room, moisture may condense on the lenses inside the player and the player may not operate properly. In this case, remove the disc and leave the player turned on for half an hour approximately until the moisture evaporates.
- 5) Heat - The Multimedia Player should be installed away from heat sources such as radiators, heat registers, stoves, or other products (including amplifiers) that generate heat.
- 6) Proper ventilation - Do not install this player in a confined space, such as a bookshelf, unless proper ventilation is provided. Slots and openings in the Multimedia Player casing are provided for ventilation to ensure reliable operation of the product and to protect it from overheating. These openings must not be blocked or covered. The openings should never be blocked by placing the product on a bed, sofa, rug, or other similar surfaces as ventilation will be inhibited and overheating will occur.
- 7) Overloading - Do not overload wall outlets, extension cords, or electrical receptacles, as it can result in a risk of fire or electric shock.

- 8) Cleaning - Unplug this product from the wall outlet before cleaning. If dusting or cleaning is required, be sure to clean the outer surface of the casing only. Do not attempt to clean the inside or to disassemble the casing. Do not use liquid cleaners or aerosol cleaners. Use a damp cloth for cleaning and be sure to allow the unit to dry completely before plugging the unit into a power source.
- 9) To protect against electric shock do not immerse cord, plugs, or appliance into the water or any other liquids.
- 10) Close supervision is necessary when your appliance is being used by or near children.
- 11) Keep the appliance and its cord out of reach of children aged less than 8 years.
- 12) If the supplied power cord is damaged, it must be replaced by the manufacturer, its service agent , or similarly qualified persons in order to avoid a hazard.
- 13) Do not operate the appliance with a damaged cord or plug, after the appliance malfunctions, or if it was dropped or damaged in any manner. Return appliance to the nearest authorized service facility for examination, repair, or electrical/mechanical adjustment.
- 14) Any use of this product that is not recommended by the manufacturer may cause injury to persons or damage to the appliance.
- 15) Place the appliance on a flat surface or table. Do not hang its power cord over the edge of the table or counter. Ensure that the power cord does not touch hot surface of the appliance.
- 16) If the unit requires servicing, refer servicing to qualified service personnel. If the unit is still under warranty, contact DBPOWER or our authorized service center. See the terms and conditions specified under the warranty included with this product.
- 17) Do not use appliance for other than intended use.
- 18) Do not use outdoors.

**FOR HOUSEHOLD USE ONLY  
PLEASE SAVE THESE INSTRUCTIONS**

## 2. Instruction

Congratulations on your purchase of the DBPOWER ZC-01 Multimedia Player.

Its compact design provides easy access to all your favorite media, while the fast-forwarding/rewinding during playback guarantees that you will never miss a minute.

Manage it from a distance using the remote control, or use the zoom-in feature to get a closer look. DBPOWER ZC-01 Multimedia Player is a great way to get an immersive entertainment in a flash.

Before using your player, it is recommended that you familiarize yourself with the features, functions, and operating procedures described in this manual. Due to slight modifications in production, the instructions, features, and descriptions found in this manual might be slightly different from your product. Design and specification are subject to change without notification.

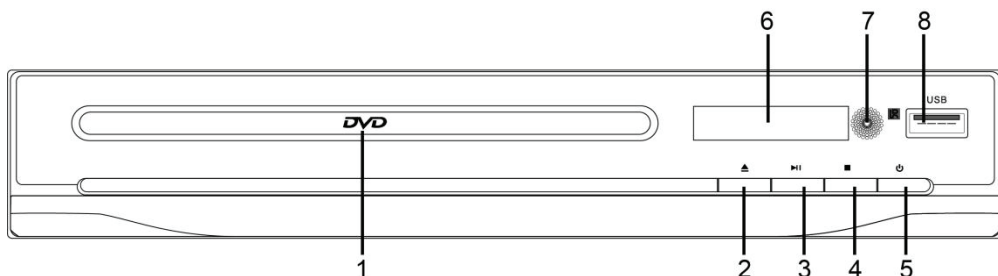
## 3. Package Contents

Please verify your box for the following items. Note that some models may not include all items.

Multimedia Player	1pcs
Remote Control (without battery)	1pcs
HDMI Cable	1pcs
AV Cable	1pcs

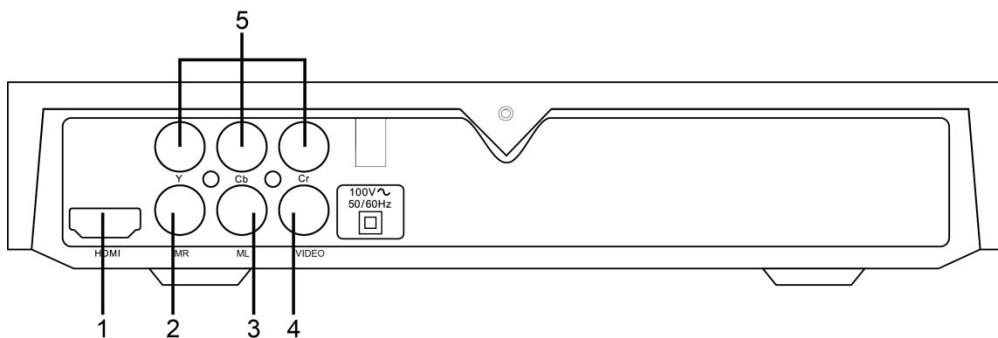
## 4. Unit Diagram

### 4.1 FRONT PANEL



- |                      |                      |
|----------------------|----------------------|
| 1. Disc Tray         | 5. Standby/on Switch |
| 2. Open/Close Button | 6. Display           |
| 3. Play/Pause Button | 7. IR Receiver       |
| 4. Stop Button       | 8. USB Port          |

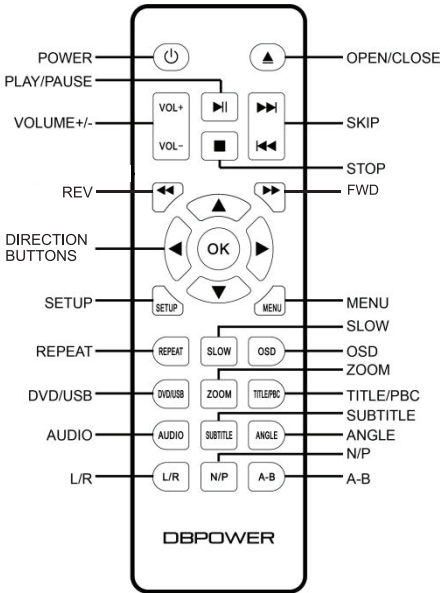
### 4.2 REAR PANEL



- |                       |               |
|-----------------------|---------------|
| 1. HDMI AV Output     | 5. YUV Output |
| 2. Right Audio Output |               |
| 3. Left Audio Output  |               |
| 4. Video Output       |               |

# 5. Remote Control

## 5.1 Remote Control Operations Guide



**POWER:** Press to power ON/OFF or turn the player to standby mode.

**OPEN/CLOSE:** Press to open and close the disc tray.

**VOLUME +/-:** Press to increase/decrease the volume.

**PLAY/PAUSE:** Press to play or pause a loaded disc.

**STOP:** Press to stop a playback.

**PREV:** Skips to previous title, chapter, or track.

**NEXT:** Skips to next title, chapter, or track.

**REV :** Press for rewinding. Press again to increase speed ( 2x, 4x, 8x, 16x, 32x).

**FWD:** Press for fast-forwarding. Press again to increase speed ( 2x, 4x, 8x, 16x, 32x).

**DIRECTIONAL BUTTONS:** Press to select items, navigate through menu screens.

**SETUP:** Press to access or exit the setup menu.

**MENU:** Press to open the main menu.

**REPEAT:** Press to repeat playback.

**SLOW:** Press to slow down the playback speed.

**OSD:** Press to view the various On Screen Display modes.

**DVD/USB:** To switch between disc mode and USB mode.

**ZOOM:** Press to change ZOOM ratio.

**TITLE:** Press to access the loaded disc title menu.



**PBC:** Press to turn ON/OFF the menu.

**AUDIO:** Press to change the audio settings.

**SUBTITLE:** Press to turn subtitles ON/OFF.

**ANGLE:** Press to switch the camera angle.

**L/R:** Press to change audio output mode: left, right, stereo, or mixed soundtracks.

**N/P:** Press to choose TV system: NTSC/PAL.

**A-B:** Press to repeat A-B period.

## **5.2 Batteries replacement**

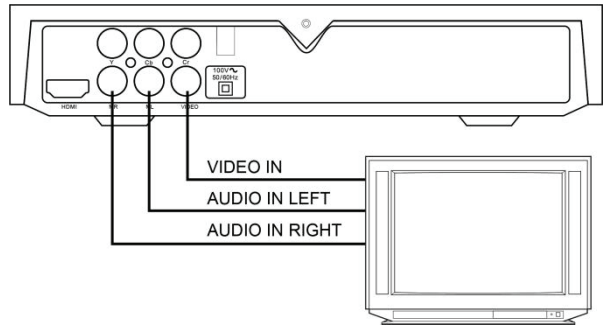
1. Press and lift the back cover up to open the battery compartment of the remote control.
2. Insert two AAA size batteries. Make sure that the polarities of the batteries ( + and - ) match those of the battery compartment.
3. Close the battery compartment cover.

## 6. Connections

When connecting this unit to other components, be sure that all devices are turned off. Audio/Video cables should be connected according to different color identification and fitted firmly into the appropriate inputs.

### 6.1 Connect to TV via standard audio/video cable

- A. Connect the supplied RCA Audio/Video cable using the red (right) and white (left) terminals to the Audio jacks on the rear of the Multimedia Player and to the Audio jacks on your TV.

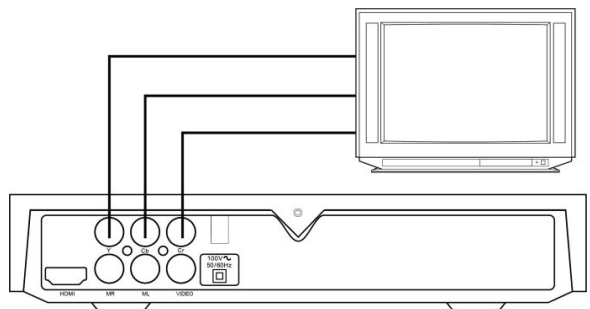


- B. Connect the video cable (yellow) to the video input on the rear of the Multimedia Player and to the video input on your TV.

- C. Set your TV to its appropriate Video input

### 6.2 Connect a TV via YUV output

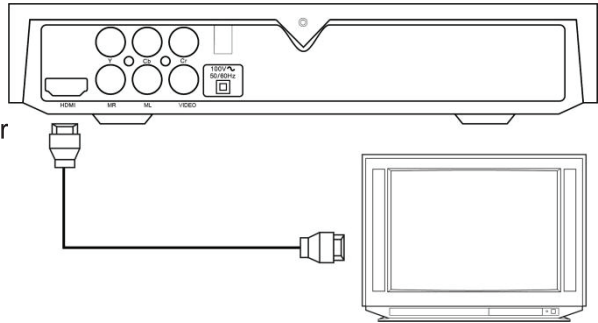
- A. Use the Component Video Output to send high-quality video from the DVD player to a TV.
- B. Hook a component video cable from the Component Video Output to the component video input on a TV.



- C. Adjust the connected television's input setting to match the input used in the previous step.

### 6.3 Connect a TV and Projector via HDMI AV Cable (included)

- ◆ Connect an HDMI cable to the HDMI input located on the rear of the Multimedia Player.
- ◆ Connect an HDMI cable to the HDMI input on your



## 7. Basic Multimedia Player Operations

### 7.1 Before you begin

Turn on your TV. Set the appropriate video input setting corresponding to the input used for Multimedia Player connection. Refer to the “Connections” section of this manual.

If you have connected the player to an audio system (stereo or amplifier), turn on your audio system and set the appropriate audio input setting corresponding to the input used for Multimedia Player.

Note: As TV and/or audio systems vary, please refer to your TV or Audio system's user manual.

### 7.2 PLAY

- Press the POWER button on the player or press the Power/Standby button on the remote control.

- Press the OPEN/CLOSE button (on the player or remote control) to open the disc tray.
- Hold the edge of the disc and place it in the tray with the label side up.
- Press the OPEN/CLOSE button (on the player or remote control) again to close the disc tray.

The Multimedia Player starts playback or opens the disc menu automatically. Use the directional buttons and the ENTER button to navigate the disc's menu screen. If the playback doesn't start automatically, press the PLAY button (on the player or remote control).

Note: The auto-load sequence of each disc (Audio, CD, VCD) may vary according to format and/or the way the disc was authored. Some discs will auto-play a series of previews, copyright notices, or advertisements before loading the Menu screen. Certain buttons on the remote control, such as MENU, TITLE, F.RWD, F.FWD, PREV, NEXT buttons, may be automatically disabled until the auto-load is completed.

## **7.3 PAUSE**

To pause, press the PLAY/PAUSE button once during playback. To resume, press the PLAY/PAUSE button again.

## **7.4 FORWARD/REVERSE**

Press REV or FWD during playback.

To increase the Fast Forward or Rewind speed, press the REV or FWD button again to choose the desired speed (Normal, x2, x4, x8, x16, x32)

## **7.5 SKIP NEXT/PREVIOUS**

- You can skip to a specific chapter or track during playback.
- Skipping Ahead - Press the NEXT button during playback.
- You will advance to the next chapter/track each time you press the NEXT button.

- Skipping Back - Press the PREV button during playback.
- If you press the PREV button midway through a chapter, the Multimedia Player returns to the beginning of the chapter. The player then skips a chapter each time you press the PREV button.

## **7.6 STOP**

- When you press the STOP button, it will retain the position so the playback will begin where you left off.
- Press the STOP button once to stop and hold playback at the current position. Press the Play button to resume the playback from where you left it off.
- Press the STOP button twice to completely stop and reset the disc to the very beginning. The “Last Played” feature will not be activated.

## **8. Additional Features**

### **8.1 Using the USB Flash Drive**

- Turn off the Multimedia Player.
- Insert the USB Flash Drive (with AVI, MPEG4, or JPEG files) into the USB port on the front of the Multimedia Player.
- Turn on the Multimedia Player. Press and hold the CD/USB button on the remote control.
- The Folder/Files list will appear on the screen.
- Use the directional buttons to pick the desired folder or file.
- Press the ENTER button to confirm and begin the playback.

### **8.2 JPEG, MP3 Discs Operations**

- ✧ Turn on the player and place the disc into the disk tray or USB Flash Drive into the USB input as described in previous procedures. The Folder/Files list will appear on the screen.
- ✧ Use the directional buttons to pick the desired folder. Press the ENTER

button. The file list will appear on the screen.

- ❖ Use the directional buttons to pick the desired folder. Press the ENTER button to begin playback.

## 8.3 Repeat Feature

- Use the directional buttons to pick the desired folder. Press the ENTER button to begin playback.

Single: Play the current track repeatedly

- Repeat Folder: Play the tracks in the selected folder repeatedly

## 9. Settings

### 9.1 Enter to Main Setup Page

- ❖ Press the SETUP button. The setting menu will appear on the screen.
- ❖ Use the directional buttons to pick the function you need to configure. Press the directional button.
- ❖ Press the ENTER button to confirm the selection.
- ❖ Press the SETUP button to save the settings and exit.

### 9.2 General Setup Page

This page allows you to configure the TV Screen format, "Last Played" memory feature, OSD, Captions, Screen saver, HDCD, and Angle Mark settings.

General	Audio	Video	Preferences
-- General Setup Page --			
TV Display	16:9		
Angle Mark	On		
OSD Lang	Eng		
Captions	Off		
Screen Saver	On		
HDCD	1X		
Last Memory	Off		
Go To General Setup Page			

#### 9.2.1 TV Display

If TV Display is selected, press the directional button to enter.

Press the directional buttons to select 4:3 or 16:9 to match the aspect ratio of your TV and then press the Enter button to confirm your selection.

Press the SETUP button to save the setting and exit.

## 9.2.2 Angle Mark

You can enable or disable the ability to select different camera angles when viewing discs that offer this feature.

## 9.2.3 OSD Lang (Onscreen display language)

You can select your desired OSD language from this menu.

## 9.2.4 Captions

You can use this feature to display recorded explanatory captions.

## 9.2.5 Screen Saver

When the playback is stopped for a while, a screen saver will start automatically if this feature is enabled.

## 9.2.6 HDCD

You may use this feature to enable high definition compatible digital CDs playback.

## 9.2.7 LAST PLAYED memory feature

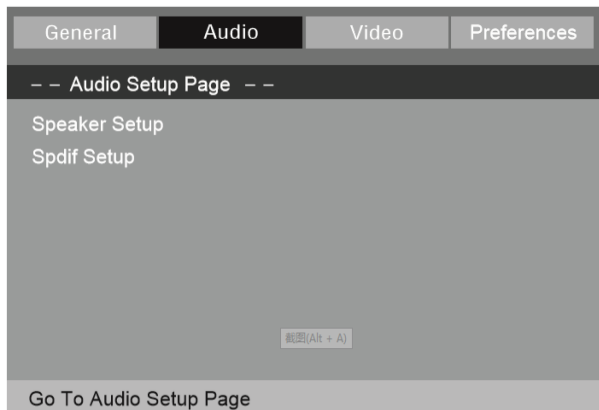
This feature enables the player to resume the playback from the last point where you left off.

## 9.3 Audio Setup Page

This page allows you to configure the Audio settings.

### 9.3.1 Speaker Setup

Select Speaker Setup to access the Downmix settings screen.



### 9.3.2 Downmix

Downmixing sets the audio downmix mode to convert multi-channel into two-channel audio. This setting only affects the Mixed L/R analog audio outputs.

### 9.3.3 SPDIF Setup

The Digital Audio/SPDIF setting controls the way your television outputs through its digital audio output port.

This setting affects the output of the Digital Coax Audio output, or the Digital Optical Audio output depending on the model of television. The two settings are PCM and Raw.

## 9.4. Video Setup

This section allows you to configure the Video output settings.

### 9.4.1 Resolution

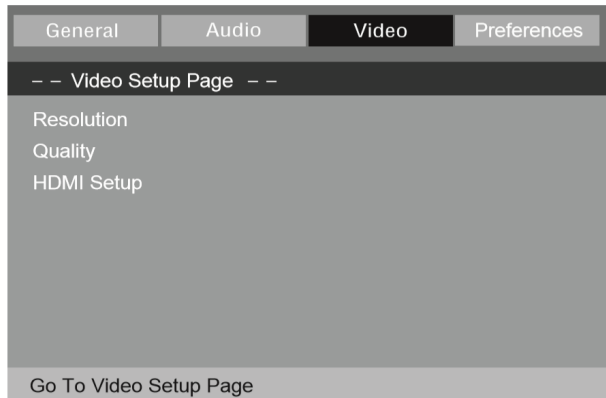
Adjust the resolution.

### 9.4.2 Quality

Adjust the sharpness, brightness, and contrast.

### 9.4.3 HDMI Setup

Turn the HDMI On/Off.



## 9.5 Preferences

This section allows you to configure additional preferences.

The Preferences section is only available when there is no disc inserted in the Multimedia Player. If a setting is modified, restart the Multimedia Player to apply the modifications.



### 9.5.1 TV Type

This Multimedia Player supports Multi (AUTO), NTSC, and PAL systems. If you select an output type that is not supported by your TV, the screen will flicker with a black and white display. Press the SETUP button and use the directional buttons to pick the correct TV type from this list.



### 9.5.2 Audio

Select the preferred default language during playback.

### 9.5.3 Subtitle

Set the preferred subtitle language as the default.

### 9.5.4 Disc Menu

Set the preferred menu language as the default.

### 9.5.5 Default

Reset the unit to its factory settings (except the password).

## 10. Technical Specifications

Power source: AC 100V ~ 240V, 50/60Hz

Power Consumption: 8W

Remote Control: DC3V, 2xAAA batteries (not included)

Video Signal System: AUTO/NTSC/PAL

Frequency Response:  $\pm 1$ dB(20Hz~20KHz)

Signal Noise Ratio:  $\geq 90$ dB

Audio Distortion:  $\leq 1\%$

Channel Separation:  $\geq 80$ dB(1KHz)

Dynamic Range:  $\geq 80$ dB(1KHz)

Audio Out (Output Level):  $2 \pm 0.1$ V;

Analog Audio: Load Impedance 10K  $\Omega$

Video Out (Audio Out): Output Level: 0.5Vp-p;

Digital Signal: Load impedance: 75  $\Omega$

Video Out Output Level: 1Vp-p

Load Impedance: 75  $\Omega$ , imbalance, negative polarity

Laser Bandwidth: wave length 645 - 660 nm

Laser Power: Class 1

Supported Discs Formats: VCD/CD/MP3/PhotoCD/SVCD/JPEG/MPEG-4

## 11. Troubleshooting

Problem	Solution
The power light is not turned on	Check if the power cord is connected securely. Try another socket.
No Picture	Select the appropriate video input format on your TV in order to receive the player's output signals. Plug in the video cable firmly into the corresponding channels.
No Sound	Plug in the audio cable firmly into the corresponding channels. Turn on the stereo/amplifier system (if applicable). Select the correct output in the setup menu.

Distorted Picture	<p>Remove and clean the disc</p> <p>Some distortion may occur during the fast-forwarding and rewinding. This is normal.</p>
Display flickering/Unstable brightness	<p>Connect the player directly to your TV</p> <p>NOTE: Disruptions can be caused by a disc copy protection system.</p>
The player does not operate	<p>Check if a disc is loaded</p> <p>Check if a disc is compatible (check the disc's format and color signal coding standard).</p> <p>Check if a disc is loaded correctly.</p> <p>Clean the disc.</p> <p>Check if the Multimedia Player settings are correct.</p>
Buttons are not responsive	<p>Shut down the player, unplug the power cord. Plug in the power cord and switch the player on again.</p>
The remote control does not work	<p>Aim the remote control directly at the sensor.</p> <p>Check if the distance between the sensor and remote control does not exceed 20 feet.</p> <p>Replace the batteries.</p>

# DBPOWER

---

Made in China



✉ [support@dbpowershop.com](mailto:support@dbpowershop.com)  
☎ 1-855-888-5533