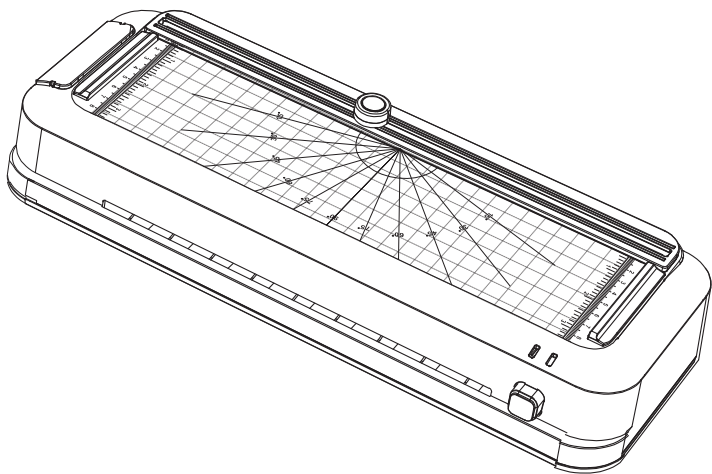


WORKIZE

9" CREATIVE LAMINATOR USER MANUAL

Laminator · Trimmer · Puncher



Thank you for choosing a Workize product and becoming our valued customer.

At Workize, we're committed to providing you with products that enhance your daily life. We also aim to deliver excellent customer service to our customers. If you have any questions or feedback about your new product, simply get in touch with our customer support team at the following number:

 support@workizeshop.com

 1-855-882-3365

We hope that the product will bring more convenience and enjoyment to your daily life.

USER MANUAL

Please read these instructions carefully before installing or using this product, refer to the warning/caution section for important information.

For further instructions, please contact:

support@workizeshop.com

Keep this instruction manual for future reference.

Important safety instructions.

WARNING :

This product has no automatic shutdown function, after using the product, please turn the power off in time.

CAUTION

1. Check if the voltage indicated on the laminator corresponds to the local mains voltage before you connect the appliance (100 - 120V, 60Hz).

2. The laminator is designed to work with the foil that is intended for hot laminating. Using foil that is not intended for hot laminating may cause jamming.

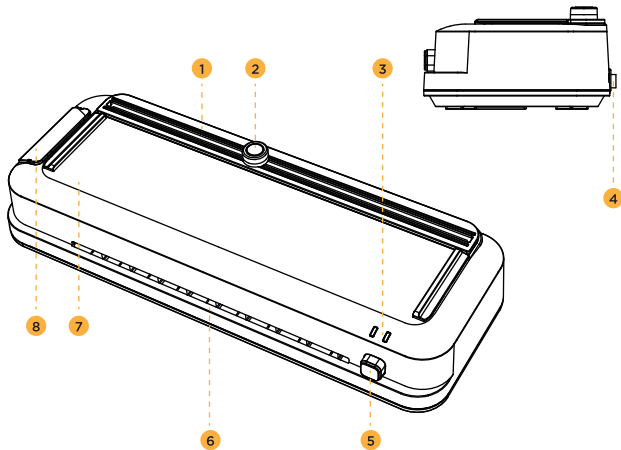
3. Do not insert the open end of the lamination foil into the laminator to prevent it from being creased. Follow the instructions on the insertion slot while inserting the laminating foil. The laminating process occurs automatically.

4. The lamination foil will become hot during operation. Therefore, handle the laminated document with due care!

5. To flatten and smoothen the laminated product, place a book or similar heavy, flat object on it.

6. Burn hazard! The laminator will become hot during operation.
7. Observe the permissible quantity of material which may be cut, refer to Chapter "Intended Use" or "Technical Data".
8. The visual positioning helps to simplify the correct alignment of the material to be cut.
9. To prevent a faulty cutting edge, do not run the cutting head back again but remove the cut material directly after the cut completing.

OPERATING ELEMENTS



1. Cutting Head
2. Guide Rail with finger protection
3. Indicator Elements (LEDs)
4. Thickness Switch function/Power OFF
5. Anti-jamming system (for clearing jams)
6. Input Slot
7. Visual positioning alignment in cm (lines, angles, scale)
8. Puncher

OPERATION

The laminator can complete hot lamination:

During the laminating process, the lamination foil adheres together.

Select the lamination method according to the material to be laminated (75 mic or 125 mic).

1. HOT LAMINATING

- 1.1 Connect the power cable to an easily accessible, standard electrical socket.
- 1.2 Press the "Thickness Switch function/Power OFF" switch on the back of the appliance to power it on: the indicator light turns red.
- 1.3 Wait (3-5 minutes approximately) for the green light to come on, which indicates the laminator is warm enough for use.
- 1.4 Insert the document to be laminated in the pouches so that there is a margin of approx. 3 - 5 mm to the edge of the foil all around the document.

- 1.5 Insert the foil containing the document in the laminator's input slot so that it is centred and with the closed-edge.
- 1.6 When the laminating process will be completed, rock the switch to the "OFF" position, and remove the power plug from the power socket.

Let the device to cool down before packing it away.

2. CLEARING JAMMED LAMINATION FOI

The device is equipped with an ABS switch (anti-jamming system switch) to clear foil jams quickly. Proceed as follows if the lamination foil jams:

- 2.1 Switch the device off: Set the "Thickness Switch function/ Power OFF" switch to the OFF position.
- 2.2 Press the ABS switch tightly.
- 2.3 Hold the laminator firmly and pull the lamination foil out of the laminator's input manually.
- 2.4 Loosen the ABS.
- 2.5 Clean the heating rollers of any deposits and residual adhesive. Fold a sheet of paper and insert it, folded edge first, into the laminator's input.

2.5 Clean the heating rollers of any deposits and residual adhesive.

Fold a sheet of paper and insert it, folded edge first, into the laminator's input.

NOTE:

If foil jams occur repeatedly or jammed foil cannot be removed from the laminator, please contact our hotline (refer to Warranty).

TRIMMER

The trimmer can be used to cut paper, card, photo paper, and lamination foil.

1. THE TYPE OF CUT

The trimmer is dedicated to completing the only type of cut: the straight cut.

1.1 Note: The blades are accommodated in a protective housing.

2. CUTTING THE MATERIAL

2.1 Place the device on a stable, level surface with the cutting head facing up.

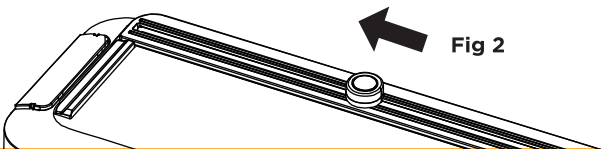
2.2 Slide the cutting head to the opposite side of the guide rail.

2.3 Put the material under the guide rail at the required position.

2.4 Hold the material with one hand so that it cannot slip.

Otherwise, the cut may be inaccurate.

2.5 To complete the cut, press the cutting head down and slide it along the guide rail to the opposite side, refer to Fig. 2.



3. CHANGING THE CUTTING HEAD

When the blades are damaged or worn, the cutting head must be replaced.

3.1 Remove the cutting head from the guide rail.

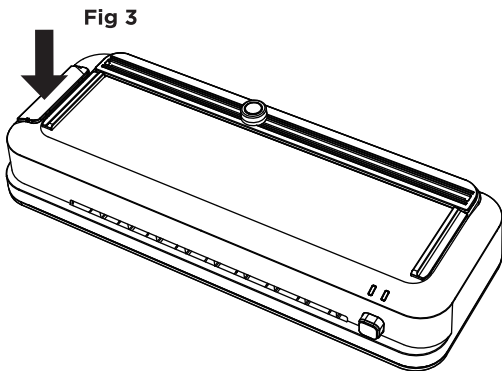
3.2 Replace the old cutting head with the new one.

PUNCHER

1. THE PUNCHER CAN BE USED TO PUNCH PAPER, CARD OR LAMINATION FOIL, ETC.:

1.1 The total thickness of the punched paper, card or lamination foil, etc. is 0.3mm.

1.2 To perform the punch, put the paper/card/foil etc. into the puncher, then press the punching button, refer to Fig. 3.



TECHNICAL DATA

LAMINATOR	LO188
Power supply:	100-120V,60Hz
Rated input power:	100W
Maximum laminating width:	230 mm
For lamination foil thickness:	75 and 125 mic /3 and 5 mil
Laminating speed:	300mm per minute
Ready time:	3-5 minutes
Indicator elements:	LED POWER (red)/LED READY (green)
Special features:	ABS switch (for clearing jams)/No blistering Overheating auto shutdown
Trimmer	
Maximum size:	A4
Maximum cutting capacity:	0.3 mm (80g paper 3 pcs)/75 mic+100g paper
Puncher	
Punching capacity:	0.3mm(80g paper 3 pcs)
Dimensions (W*D*H):	380*140*75mm
Weight:	1.10kg

WORKIZE

CUSTOMER SERVICE

 support@workizeshop.com

 1-855-882-3365

Made in China