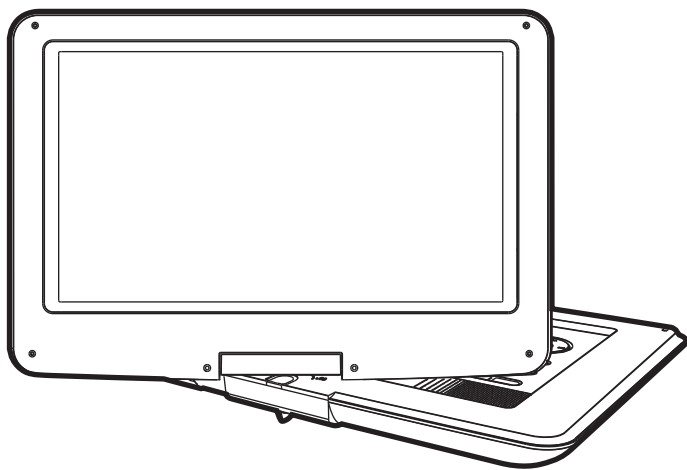


# DBPOWER

PORTABLE VIDEO PLAYER QUICK USER GUIDE-NS-1680

## USER MANUAL



POWER YOUR LIFE

[warranty.dbpowershop.com](http://warranty.dbpowershop.com)

[m.me/DbpowerOnline](http://m.me/DbpowerOnline)



## ACTIVATE YOUR 12 MONTH WARRANTY

Register within 2 weeks after receiving your new product.

**PLEASE VISIT NOW**

[warranty.dbpowershop.com](http://warranty.dbpowershop.com)

**CUSTOMER SERVICE**

✉ [support@dbpowershop.com](mailto:support@dbpowershop.com)     [m.me/DbpowerOnline](https://m.me/DbpowerOnline)



**NOTE**

1. Car charger only compatible with 12V car cigarette lighters.
2. Please avoid touching the lens.
3. Please charge at least once a month if not used for long periods.

## A Big Thank You

We're thrilled that you have chosen to purchase the Portable Video Player.

At DBPOWER, we're committed to providing you with products that enhance your daily life. We also aim to give our customers excellent support. Should you have any questions or feedback about your new product, simply get in touch with our customer support team

at 1-855-888-5533, or by email at

[support@dbpowershop.com](mailto:support@dbpowershop.com)

## Warm Tips

### BATTERY

Please recharge the battery for at least 12 hours before the initial use.

If you connect the player with AC power(12V), you can use it immediately.

### SCREEN PROTECTION

Please remove the screen protector on the screen which used for protecting the screen from being scratched (tear away the protector from the green label)

### LASER PROTECTION

Please remove the card inside the player before you insert a disc.

Please DO NOT touch the laser head or other parts with your hands.

### PUT INTO DISC

Please open the disc cover through the orange button on the panel.

Please DO NOT force the disc cover apart with the hands directly.

### SOUND ISSUE

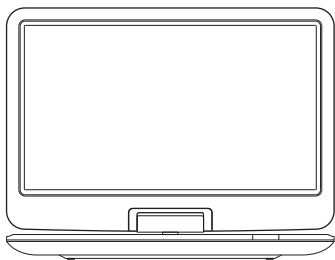
Please understand that there will be some loud sound when the machine is reading the disc. It won't affect your normal watching and using.

If affected, please use earphones or speakers.

---

# Product Description

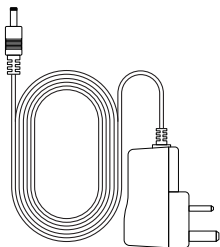
## PACKAGE CONTENTS



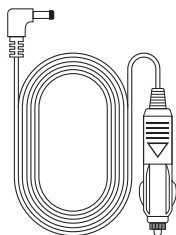
①



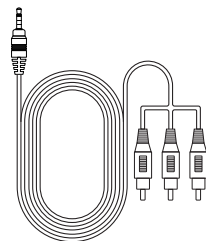
②



③



④



⑤

① Portable Video Player

② Remote Controller

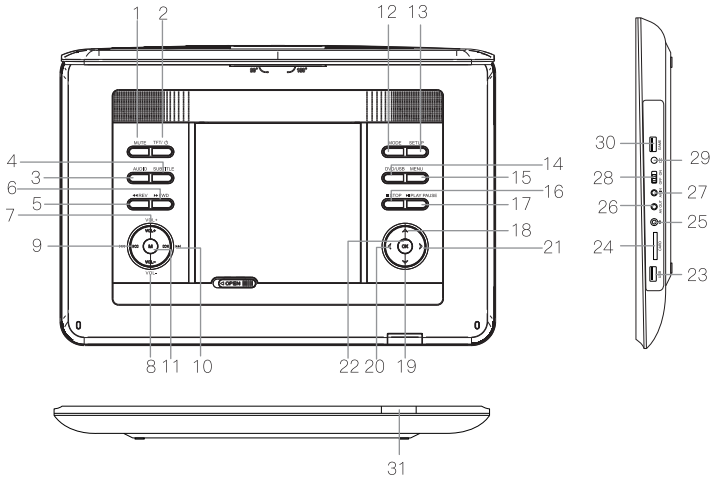
③ AC Adapter

④ Car Charger

⑤ 3-in-1 AV Cable

---

# Button Introduction



- |                 |                |                                  |
|-----------------|----------------|----------------------------------|
| 1. Mute         | 11. LCD Menu   | 21. Right                        |
| 2. TFT/⏻        | 12. Mode       | 22. Ok                           |
| 3. Audio        | 13. Setup      | 23. USB(USB Sticks, up to 32GB)  |
| 4. Subtitle     | 14. DVD/USB    | 24. SD Card(up to 32GB)          |
| 5. Fast Rewind  | 15. Menu       | 25. 3.5mm Audio port             |
| 6. Fast Forward | 16. Stop       | 26. AV OUT                       |
| 7. VOL +        | 17. Play/Pause | 27. AV IN                        |
| 8. VOL -        | 18. Up         | 28. Power Switch                 |
| 9. Previous     | 19. Down       | 29. Charging Port                |
| 10. Next        | 20. Left       | 30. GAME USB(for game joysticks) |
|                 |                | 31. Power Indicator              |

## Button Introduction

### ABOUT THE UNIT

1. To clean this unit, wipe with a soft, dry cloth.
2. Use eyeglass cleaner to remove stubborn dirt from the LCD.
3. Never use alcohol, paint thinner or benzine to clean this unit.
4. Do not press onto the screen.
5. This unit is not waterproof. To prevent a fire, do not place any container filled with liquid near this unit(such as a vase or flower pot) or expose it to dripping, splashing, rain or moisture.

### ABOUT THE DISC

1. To clean the discs, wipe it with a damp cloth and then dry it again.
  2. Do not attach labels or stickers to any discs(This may cause disc warping, making it unusable).
  3. Do not write on the label with a ball-point pen or any other writing instrument.
  4. For the disc use scratch-proof protectors or covers.
  5. To protect discs from scratches and dirt, return them to their cases or cartridges when they are not in use.
  6. Do not use discs with exposed adhesive from removed stickers or labels(i.e.rented disc etc.).
  7. Do not use discs that are badly warped or cracked, or irregularly shaped discs, such as heart shapes.
-

## Q&A

**Q:** Video Player doesn't work?

**A:** 1. Please make sure the power switch has been set to the 'NO' position and check the battery. Connect the Video Player to the power adapter and then check the status of the indicator light.

2. If the power switch is ON and the power adapter is connected, but no indicator light is shown: It indicates a problem with the motherboard or power adapter.

3. If the power adapter is connected and the indicator light is on: It indicates a problem with the motherboard.

**Q:** Video Player doesn't read the disc?

**A:** 1. Please clean the laser and try other VCD, CD and attached game CD for testing purposes.

2. If all discs cannot be read, this would indicate a problem with the laser or motherboard.

3. Partial discs cannot be read: The laser is aging or the disc is not compatible.

4. The video player does not support HD&Blu-ray, DTS and Dolby discs.

5. There is a yellow card inside the video player. please remove it, before you insert your disc.

**Q:** Video Player doesn't read MP4?

**A:** 1. Make sure the USB sticks are less than or equal to 16GB

2. If you play a video in MP4 format, please note that the video should have the following requirements: Resolution: 480x320(1.50:1)

Code: MP4V

Frame Rate: 23.98fps

Bit Rate: 564.13kbps

Audio Code: AAC2

---



**Q:** Images are not fluent?

**A:** 1. Please clean the laser, use new discs or change to the power adapter.  
2. If the problem persists, the problem could be a laser bracket deformation or aging.

**Q:** Remote controller doesn't work?

**A:** 1. Replace the battery(AAA Battery). Also: The remote controller needs to be aimed directly at the front of the video player, within 5m and 30 degrees.  
2. All buttons fail: A problem with the remote controller or receiver.

**Q:** The Game function doesn't work?

**A:** 1. Please make sure the game control is correctly with the devices. There is a USB port in the back of the device marked 'Game'.  
2. Use the remote controller, aimed at the front of the video player, to choose the game intergace.  
3. The power indicator light is not on. If the video player is charged for six to eight hours, the player will word without problems.

**Q:** How to adjust the image ratio?

**A:** 1. Please confirm what kind of ratio your DVDs could support firstly. The video player could select 4:3 or 16:9 aspect ratio.  
2. Go into SETUP-Panel Quality Setup-Aspect Ratio-16:9 / 4:3.

---

## ACTIVATE YOUR 12 MONTH WARRANTY

Register within 2 weeks after receiving your new product.

**PLEASE VISIT NOW**

[warranty.dbpowershop.com](http://warranty.dbpowershop.com)

**CUSTOMER SERVICE**

✉ [support@dbpowershop.com](mailto:support@dbpowershop.com)    **f** [m.me/DbpowerOnline](https://m.me/DbpowerOnline)



**NOTE**

1. Car charger only compatible with 12V car cigarette lighters.
2. Please avoid touching the lens.
3. Please charge at least once a month if not used for long periods.



# DBPOWER

✉ [support@dbpowershop.com](mailto:support@dbpowershop.com)

👉 [www.dbpowershop.com](http://www.dbpowershop.com)

☎ 1-855-888-5533 (Mon-Fir 9:00AM-5:00PM EST)



Made in China