

说明书

尺寸：12\*12cm

# AIR PURIFIER

## USER MANUAL



High Clean Air  
Delivery Rate



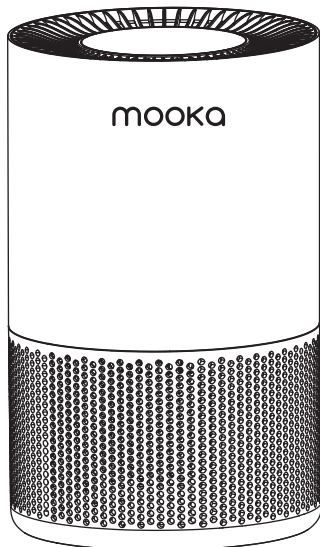
3-Stage Filtration  
System



Low Noise Level



Child Lock





# CUSTOMER SERVICE

Our customer service team is standing by to assist you if you have any questions or concerns.



[www.mookashops.com](http://www.mookashops.com)



[support@mookashops.com](mailto:support@mookashops.com)



1-855-666-9955



[m.me/MookaOnlineShop](https://m.me/MookaOnlineShop)

# CONTENT

READ AND SAVE THESE INSTRUCTIONS .....	01
PRODUCT OVERVIEW .....	04
ABOUT THE FILTER .....	05
OPERATING INSTRUCTIONS .....	06
OPERATING THE AIR PURIFIER .....	07
USING THE APPLIANCE .....	09
INSTALLING & REMOVING FILTERS .....	10
ESSENTIAL OIL .....	11
CLEANING & MAINTAINING .....	12
PACKAGE CONTENTS .....	12
TROUBLESHOOTING .....	13

# **1. READ AND SAVE THESE INSTRUCTIONS**



## **WARNING**

Failure to comply with the warnings listed below may result in electric shock or serious injury.

This product should be used only in accordance with the specifications outlined in this manual. Usage other than what has been specified here may result in serious injury.

- 1) The appliance is not to be used by persons (including children) with reduced physical, sensory or mental capabilities, or lack of experience and knowledge, unless they have been given supervision or instruction(IEC). Children being supervised not to play with the appliance(IEC)
- 2) The appliance is only to be used with the unit provided
- 3) The appliance is only to be used with the recommended vaporizing medium, the use of other substances may give rise to a toxic or fire risk
- 4) This appliance can be used by children aged from 8 years and above and persons with reduced physical, sensory or mental capabilities or lack of experience and knowledge if they have been given supervision or instruction concerning use of the appliance in a safe way and understand the hazards involved(EN). Children shall not play with the appliance(EN). Cleaning and user maintenance shall not be made by children without supervision(EN)
- 5) When using electrical appliances, basic precautions should always be followed to reduce the risk of fire, electric shock and injury to persons, including the following:

## **2. READ AND SAVE THESE INSTRUCTIONS**

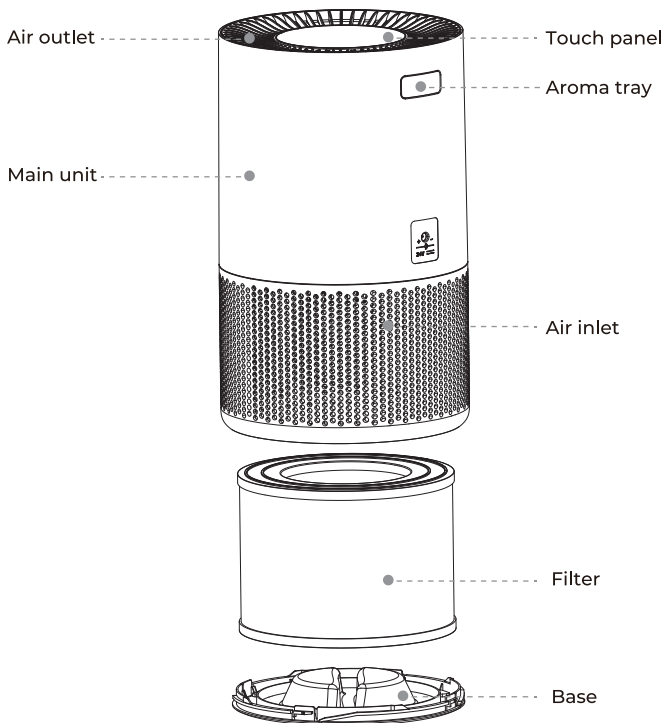
- Read all instructions before using appliance.
- To avoid fire or shock hazard, plug the appliance directly into a right AC electrical outlet.
- Keep the cord out of heavy traffic areas. To avoid fire hazard, NEVER put the cord under rugs, near heat registers, radiator, stoves or heaters.
- To protect against electrical hazards, DO NOT immerse in water or other liquids. Do not use near water.
- Children cannot recognize the hazards associated with the usage of electrical appliances. For this reason, always supervise children when they are near the unit.
- Always unplug the air purifier before moving it, opening the grill, changing filters, cleaning or whenever the air purifier is not in use. Be sure to pull by the plug and not the cord.
- NEVER drop or insert any object into any openings.
- DO NOT run cord under carpeting.
- DO NOT cover cord with throw rugs, runners, or similar coverings.
- DO NOT route cord under furniture or appliances. Arrange cord away from traffic area and where it will not be tripped over.
- DO NOT operate any appliance with a damaged cord or plug, if motor fan fails to rotate, after the appliance malfunctions, or if it has been dropped or damaged in any manner. Send to Customer Service for assistance.
- Use appliance only for intended household use as described in this manual. Any other use not recommended by the manufacturer may cause fire, electric shock or injury to persons.

### **3. READ AND SAVE THESE INSTRUCTIONS**

- DO NOT use outdoors.
- DO NOT place anything on top of unit.
- NEVER block the air openings, grills/outlets or place on a soft surface such as a bed or sofa, as this could cause the unit to tip over, blocking the air intake or outtake opening.
- DO NOT attempt to repair or adjust any electrical or mechanical functions on this unit. Doing so will void your warranty. The inside of the unit contains no user serviceable parts. All servicing should be performed by qualified personnel only.
- WARNING: To reduce the risk of fire or electric shock, do not use this device with any solid-state speed control device.
- Only use original supplied power adaptor.

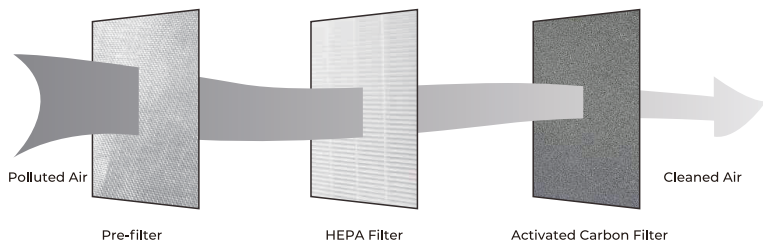


## 4 PRODUCT OVERVIEW



## 5. ABOUT THE FILTER

### 3 Stage Filter



## **6 OPERATING INSTRUCTIONS**

### **BEFORE OPERATING THE AIR PURIFIER:**

1. Carefully lift your air purifier from box and remove the two plastic bags for wrapping unit and filter.

2. Select a firm, level and flat location for the air purifier.

\*For proper air flow, locate the unit at least 1 foot from any wall or furniture.

\*Make sure none of the grills are blocked.

3. Plug the supplied power adaptor into a right voltage AC outlet.

## 7. OPERATING THE AIR PURIFIER

---



## 8 OPERATING THE AIR PURIFIER

---



### **“POWER” BUTTON:**

Press this button to turn on/ off the unit;



### **“FILTER RESET” BUTTON**

After operating 4320 hours, the “FILTER RESET” light will turn on red, means it need to replace the filter. After replace the filters, need to press this button 5S to reset the indicate light, timer restarts.

Long press this button before the filter life is up, the red light will flash for 20 seconds to reminder user. Keep pressing and holding to reset.



### **“SLEEP” BUTTON:**

Press this button to turn on sleep mode. Under SLEEP mode, all the lights (except sleep indicator) will turn off and unit working in sleep speed.

Press sleep button again or any button to quit sleep mode.

## 9. USING THE APPLIANCE

---



### **“NIGHT LIGHT” BUTTON:**

Press this button to turn on / off the night light mode.



### **“SPEED” BUTTON:**

Press the button each time to select I (Low), II (Medium) and III (High) speed.



### **“TIMER” BUTTON:**

Cycle through timer options by press this button, the purifier can be timed to operate for 2, 4, 8 hours.



### **“CHILD LOCK” BUTTON:**

Long press this button for 3S to enter or exit the child lock mode.

### **IMPORTANT NOTE:**

When the unit is not in use, please switch it off and unplug it.

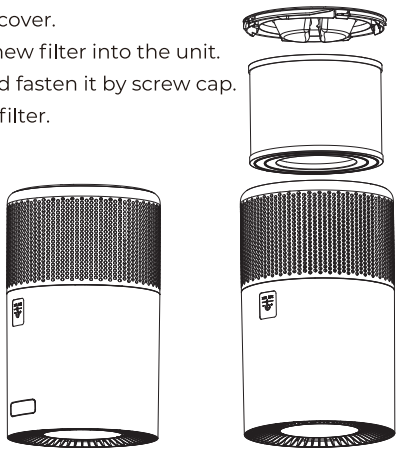
## 10 INSTALLING & REMOVING FILTERS

---

### **FILTER REPLACE INDICATOR**

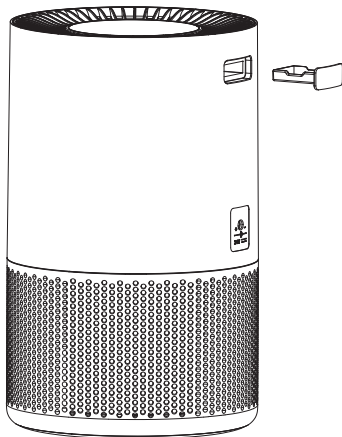
The FILTER icon lighting up indicates it is time to replace the filter. Follow the instruction below to change filter and reset the program.

1. Upside down the machine.
2. Take off the screw cap and base cover.
3. Take out dirty filter and replace new filter into the unit.
4. Reattach the base to the unit and fasten it by screw cap.
5. Enter the sub menu to reset the filter.



## **11. ESSENTIAL OIL**

1. A replaceable aroma pad is included in the aroma tray on the back of the unit.
2. Remove the tray cover.
3. Remove the oil pad and add a few drops of an essential oil – more or less may be used depending on your aroma strength preference.
4. Replace the oil pad and tray cover onto the unit.





## **12 CLEANING & MAINTAINING**

---

The machine should be cleaned at least once every month by a clean, dry, soft cloth.

More frequent cleaning may be required depending on environmental conditions.

### **NOTE:**

Do NOT stick any foreign objects or your fingers inside of the unit.

Do NOT use gasoline, benzine, thinner, harsh cleaners, etc. on and/or in the unit while cleaning as they will damage the product.

NEVER use alcohol or other solvents.

### **PACKAGE CONTENTS**


- 1\* Air Purifier
- 1\* H13 True HEPA Filter  
(Pre-Installed)
- 1\* User Manual
- 1\* Power Cord


### **SPECIFICATIONS**

- Model No.: AP-S0610L
- Rated Voltage: DC 24V
- Rated Current: 0.75A
- Dimensions: 6.9\*6.9\*11 in
- Weight: 2.9 lb

## 13 TROUBLESHOOTING

If the appliance works not properly please check the most common problems you could encounter at the table below.

Problem	Possible solution
The appliance does not work	Please check if the power cord is plugged into the socket properly.
	Please check if the base is installed properly.
Odor cannot be removed.	Check if the filter is installed properly. Please ventilate the operating area before purifying.
	The filter is dirty. Please replace the filter.
"  " is still on after replacing the filter.	Reset the Check Filter Indicator.

The air purifier makes an unusual noise while the fan is on.	Make sure the filter is properly in place with the packaging removed.
	The filter is dirty, please replace the filter.
	The air purifier may be damaged or a foreign object may be inside, please contact customer support.
Poor air purification quality	Tap "  " to increase the fan speed.
	Make sure no objects are blocking the sides or top of the air purifier (the inlet or outlet).
	Make sure the filter is removed from its packaging and properly in place.
	Close doors and windows while using the air purifier. Replace the filter.

**Note:**


1. To effectively clean air, keep windows and doors closed while the air purifier is on.
2. If your problem is not listed, please contact Customer Support to get the solution firstly.

# mooka

*Beyond Elegance*

 [www.mookashops.com](http://www.mookashops.com)

 [support@mookashops.com](mailto:support@mookashops.com)

 1-855-666-9955

 [m.me/MookaOnlineShop](https://m.me/MookaOnlineShop)



Made in China