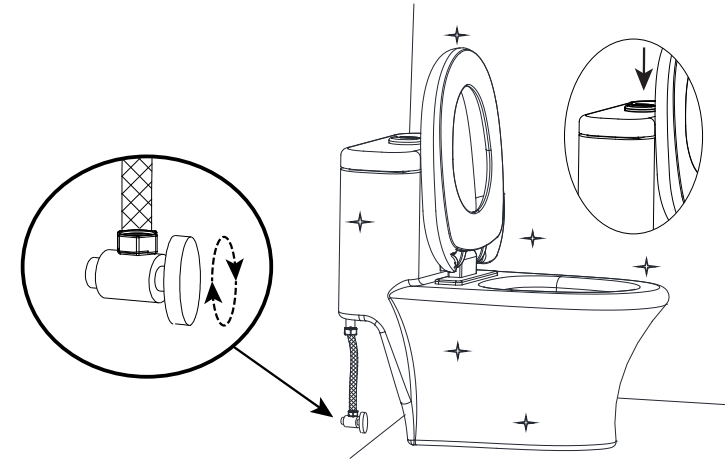


# Techtase® Hot and Cold Bidet Attachment Assembly Instruction D.I.Y

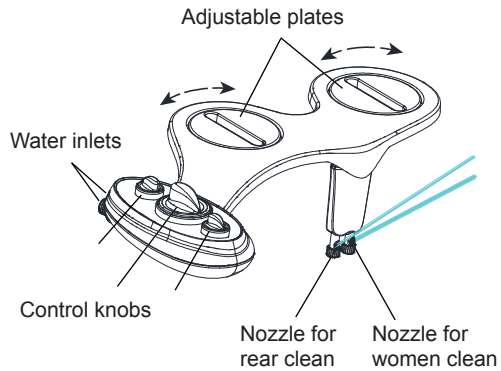
Problem	Possible Causes	Possible Solutions
After the bidet attachment was installed, there was a big gap between seat and toilet	1. The toilet seat has outer hinge tabs; 2. There is a curve underneath the toilet seat.	Installed two black washers under the adjustable brackets.
When the knob is turned on, there is no water come out from the nozzle	1. There maybe hard water deposit around or in the nozzle(s); 2. The t-adaptor is not installed properly.	1. Gently pull the nozzle(s) up and down a few times; 2. Check that the t-adaptor has been tightened all the way, so water can flow through it.
The nozzle(s) gets stuck or does not extend/retract properly	1. There maybe hard water deposit around or in the nozzle; 2. The nozzle(s) too close to the toilet tank.	1. Gently pull the nozzle up and down a few times to loosen it; 2. Push the bidet back so there is enough space for the nozzle extending.
The T adaptor is leaky	1. Missing the black rubber washer; 2. The tapered rubber washer is not be installed correctly; 3. The t-adaptor threads were cross-threaded or stripped during installation.	1. Make sure that the black washer is inside; 2. Make sure that the tapered washer is seated flat side down on the top connection of the t-adaptor; 3. Ask for a good t-adaptor from supplier.
Leaking from the bidet body or hose connection	1. The rubber washer(s) is not properly installed on the hose; 2. The bidet inlet threads were cross-threaded or stripped during installation.	1. Check that the rubber washer(s) is properly installed on both ends of the hose; 2. Contact the seller to request a replacement.

## 1. Turn off Cold Water Supply Valve

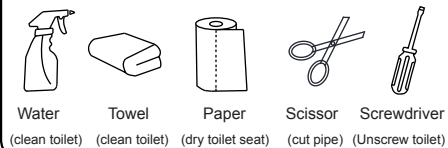
- 1) Turn the cold water supply valve at the wall to stop flow of water
- 2) Flush toilet and hold down handle to completely empty toilet tank



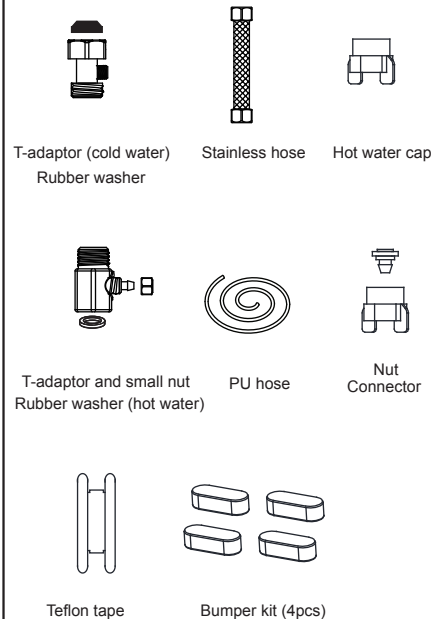
## Product Introduction



### The tools you may need

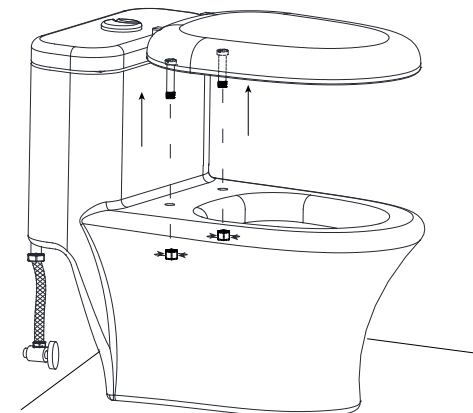


## Installing Parts

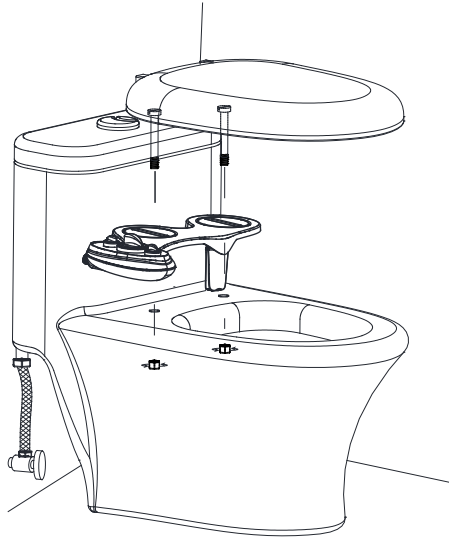


## 2. Remove Existing Toilet Seat

- 1) Lift hinge covers and use a screwdriver to remove the mounting bolts
- 2) Remove the toilet seat
- 3) Clean the toilet and dry the surface

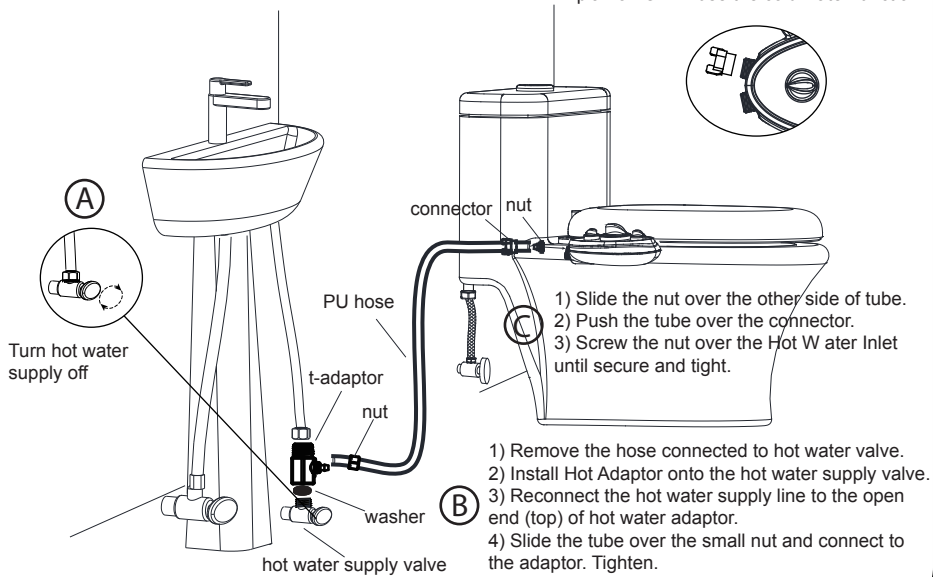


### 3. Attach Bidet Attachment to Toilet

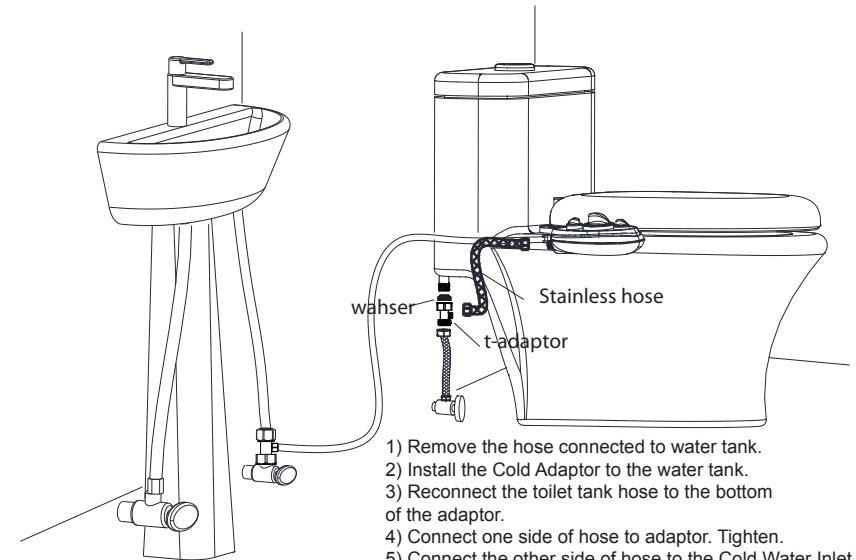


### 4. Connect Hot Water Supply

You may NOT need use this part. Attach the hot water inlet cap if you plan on ONLY use the cold water function.



### 5. Connect Cold Water Supply



- 1) Remove the hose connected to water tank.
- 2) Install the Cold Adaptor to the water tank.
- 3) Reconnect the toilet tank hose to the bottom of the adaptor.
- 4) Connect one side of hose to adaptor. Tighten.
- 5) Connect the other side of hose to the Cold Water Inlet until secure and tight.

### 6. Check for Leaks

- 1) Open the main water supply valves slowly and check for leaks.
- 2) Wait for 5 minutes, check again, and if there are no leaks, continue.

#### Tips

Turn the knob slightly according to the pressure that feel most comfortable.

