

PRISM SERIES

User Manual

Front cover

Foreword


Thank you for purchasing the **SGC Prism Series LED Light**.

Instructions

Please read this user manual carefully.

This user manual is designed to be sturdy for long term usage. Include this manual when passing the product on to third parties.

Beware of warnings listed and follow instructions for optimal usage and product life.

 **Warning:** Do not leave product unattended in surrounding with excessive heat, humidity and other harmful elements.
Do not use corrosive chemicals for cleaning the product.

Operate carefully to not cause damage by dropping the product or hitting other objects with it.

Always seek an authorized service or agent if your product has problems. Please note that the warranty does not apply to repair(s) arising out of third party or unauthorised disassembly, although you may request such repairs on a chargeable basis.

We strongly recommend using cables provided by SGC and any malfunctions or damages caused by third party cables will not be covered by the warranty.

The instructions and information in this manual are based on thorough, controlled company testing procedures. Designs and product specifications may change without notice.

Intended Use

Intended use of the **SGC Prism LED Lights** includes:

The user has read the instructions of this manual.

The user is using the products within the operating conditions and limitations described in this manual.

Improper use means using the product(s) other than as described in this manual or under conditions that differ from those described herein.

Package Contents

- 1x Prism60 OR Prism120 tube type LED lamp
- 1x SGC replaceable Li-Ion 16000mAh capacity Battery Pack
- 1x AC Power Supply
- 1x Lamp Holder
- 1x Carrying Case
- 1x User Manual

Product Specifications

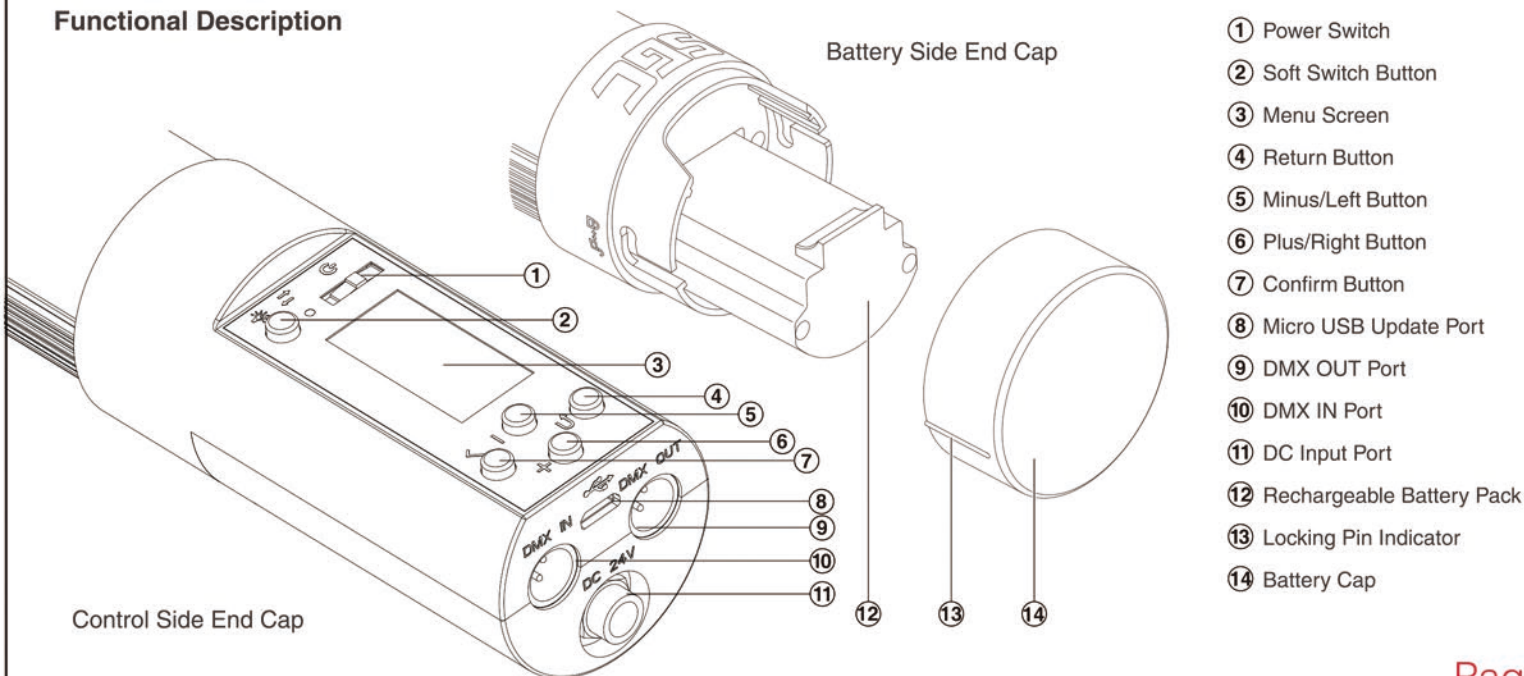
Models	P60	P120
Optics	White Diffuser	
Beam Angle	150°	
Color Temp.	2700-6500K	
Color Temp. Tolerance	±100K	
Color Accuracy Standard	CRI>95, TLCI>95	
Hue	0-360°	
Saturation	0-100%	
Power Input Range	DC 24V	
Power Consumption	18W	36W
Power Port	DC input, 2.5*5.5mm barrel connector	
Lumens (@6000K)	2300lm	4600lm
Dimming	0-100%	
Software Interface	On-board Controller with Display	
IP Rating	IP50	
Operational Temp.	-20~40°C	
Fixture Dimensions	Ø43*605mm	Ø43*1205mm
Fixture Weight	0.7kg	1.0kg
Battery Capacity	16000mAh	16000mAh
Battery Pack Charge Life	Expected battery pack capacity after 300 charging cycles: >70%	
Expected Lamp Life	25000 Hours	
Controls	Manual on-board control, wired/wireless DMX, Wireless Remote Controller (optional)	

*Package contents may be updated or changed without notice.

*Various accessories are constantly being developed. Please check our website www.sgclights.com to learn more.

Page 2

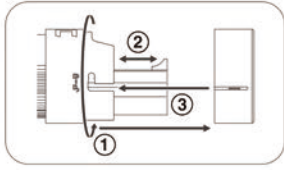
Functional Description



Page 3

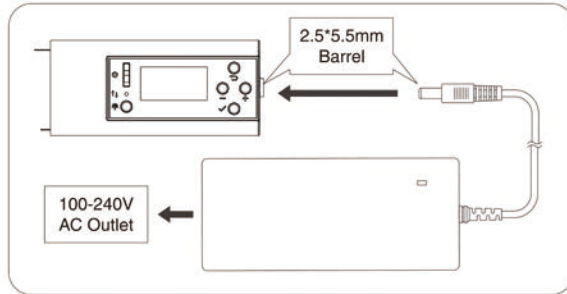
Operations: Li-Ion Rechargeable Battery Pack

1. Removing and Inserting of Battery Pack



- ① Twist the battery cap to unlock and remove it from end cap
- ② Use the built-in tab to pull out the battery pack or insert it
- ③ Align the locking-pin indicator when re-inserting the battery cap

2. Charging - Directly inside a fixture (default)



When a supplied AC power supply is connected to the fixture, it will provide power for the fixture to operate and/or charge the rechargeable battery pack depending if the battery is inside or not.

When to hold down the soft switch button for 3 seconds, the display interface will jump to the battery display interface. The previous screen will be returned in 3 seconds.

Solid battery icon with bars: current Battery Level.

Flashing empty battery icon: the battery has less than 5% charge remaining and needs to be charged.

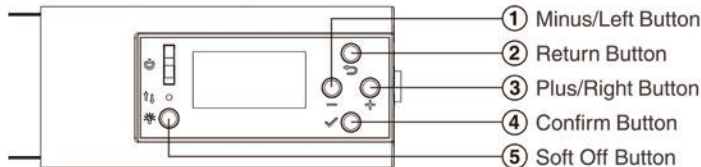
Displays the charging text under the power icon while charging.

3. Charging - Using an external battery charger (optional)

An optional external battery charger can be purchased to charge additional battery packs separately.

Operations: Menu Navigation, Structure and Parameters

1. Control Button Functions



Use ①/③ while Main Menu items are highlighted to navigate the control menu horizontally. Press ④ to select the Main Menu item desired.

Use ①/③ while Sub Menu items are highlighted to navigate the control menu vertically. Press ④ to select the Sub Menu item desired.

Use ①/③ once a Sub Menu item is selected to navigate the control parameters. Press ② to return to the Sub Menu level and use ①/③ to choose a different Sub Menu item under the same Main Menu item or press ② to return to Main Menu level and choose a different Main Menu item.

Press ⑤ to make changes to the lamp settings with the light off. Once the desired settings are chosen, press ⑤ again to turn the light back on with that setting. When to hold down the Soft Off button for 3 seconds, the display interface will jump to the battery display interface. The previous screen will be returned in 3 seconds.

2. Control Menu Listing

Main Menu	Sub Menu	Parameters	Description
CCT	Brightness	0-100%	Adjust brightness of light being produced
	Color Temp.	2700-6500K	Adjust color temperature of light being produced
	+/- Green	100M-100G	Adjust green/magenta shift of light being produced
HSI	Brightness	0-100%	Adjust brightness of light being produced
	Hue	0-359°	Adjust color hue of light being produced
	Saturation	0-100%	Adjust saturation of the color of light being produced
CTP	Brightness	0-100%	Adjust brightness of light being produced
	Preset Color	3200K, 4000K, 5600K, 6000K, Red, Green, Blue, Magenta, Yellow, Orange	Choose one of preset colors for light being produced

Main Menu	Sub Menu	Parameters	Description
FX	Brightness	0-100%	Adjust brightness of light being produced
	Effect	Rainbow, Short Circuit, paparazzi, Flashes, Fir1, Fir2, Fir3, Cop1, Cop2, Demo	Choose one of preset lighting effects for light being produced
	Rate	0-100%	Adjust the rate of the lighting effect chosen
SET	Master/Slave	On/Off	Check and control Lead/Follow mode: please refer to more details on page 8
	Wired DMX	Status, Address, Profile	Set up wired DMX connection: please refer to more details on page 8
	Wireless DMX	Status, Address, Channel	Set up wireless DMX connection: please refer to more details on page 8
BT	Status	On/Off	Check status of Bluetooth connection
	Reset	Yes/No	Reset Bluetooth connection

Main Menu	Sub Menu	Parameters	Description
Info.	Language	English/Chinese	Choose the language in which the control menu is displayed in
	Version	V0.1-9.0	Current version of control software
RST	Reset	On/Off	Factory reset that resets the light to following parameters: 100% brightness, 3200K Color Temperature, +/- Green 0G, Hue 0°, Sat 100%, Lead/Follow: Off Wired DMX: Off, Address 001, Profile P1 Wireless DMX: Off, Address 001, Channel Auto

3a. Setting up for remote control using Bluetooth

Enter the main menu **BT** and the status will automatically show On. Use Reset to link the device with a new smart phone or a tablet.

Download Sidus Link app on a smart phone or a tablet and register. Please make sure Bluetooth is turned on on the mobile device before start using the app to remotely control the lights.

Please refer to Sidus Link instruction manuals for detailed control parameters. Using the Sidus Link APP you can download the Sidus Link app from the iOS App Store or Google Play Store for enhancing the functionality of the light. Please visit sidus.link/app/help for more details regarding how to use the app to control your Aputure lights.

3b. Setting up remote control using Wireless DMX or Master/Slave mode

Master/Slave mode is where a light can be set as a Master and control a group of additional lights set to Slave, which mimic the behavior of the Master light.

Wireless DMX: To use a DMX controller with wireless DMX capability to control the lights remotely, enter the main menu **SET**, and set Master/Slave to Off. Enter the Wired DMX sub menu, set the Status to On, and choose a desired DMX address. Please refer to pages 8-10 of this User Manual for available DMX profiles. In order to add more lights to be controlled individually using the same wireless DMX controller, a different DMX address needs to be entered that is at least 10 numbers apart.

Wireless Master/Slave: In order to create groups of lights that behave the same under a single channel that is controlled by a DMX controller, wired Master/Slave mode can be set up.

1. Enter the main menu **SET** and check the status of Master/Slave. If it is set to On, the light is set as a Master. If it is set to Off, the light is set as a Slave. Start by setting a light as a Master.
2. Enter the sub menu Wireless DMX and set the Status to On, and choose a desired DMX address. Please refer to pages 8-10 of this User Manual for available DMX profiles.

3c. Setting up remote control using Wired DMX or Master/Slave Mode

Wired DMX: To use a DMX controller to control the lights remotely using the RJ45 ports, enter the main menu **SET**, and set Master/Slave to Off. Enter the Wired DMX sub menu, set the Status to On, and choose a desired DMX address. Please refer to pages 8-10 of this User Manual for available DMX profiles.

Wired Master/Slave:

1. Enter the main menu **SET** and check the status of Master/Slave. If it is set to On, the light is set as a Master. If it is set to Off, the light is set as a Slave. Start by setting a light as a Master.
2. Enter the sub menu Wired DMX and set the Status to On, and choose a desired DMX address. Please refer to pages 8-10 of this User Manual for available DMX profiles.

DMX Profiles and Parameters

P1: HSIC - 8bit, 5 DMX Channels

Channel	Function	8bit Value	Actual Value	Note
1	Intensity	0-255	0-100%	
2	Color Temp.	0-255	2700-6500K	
3	+/- Green	0-10	0-4%	No effect
		11-20	5-8%	Full minus green
		21-119	9-46%	-99 ~ -1% green
		120-145	47-57%	Neutral
		146-244	57-96%	+1 ~ +99% green
		245-255	96-100%	Full plus green
4	Hue	0-255	0-359°	
5	Saturation	0-255	0-100%	

P2: HSIC - 16bit, 7 DMX Channels

Channel	Function	8bit Value	Actual Value	Note
1/2	Intensity	0-65535	0-100%	
3	Color Temp.	0-255	2700-6500K	
4	+/- Green	0-10	0-4%	No effect
		11-20	5-8%	Full minus green
		21-119	9-46%	-99 ~ -1% green
		120-145	47-57%	Neutral
		146-244	57-96%	+1 ~ +99% green
		245-255	96-100%	Full plus green
5/6	Hue	0-65535	0-359°	
7	Saturation	0-255	0-100%	

P3: HSI - 8bit, 3 Channels

Channel	Function	8bit Value	Actual Value	Note
1	Intensity	0-255	0-100%	
2	Hue	0-255	0-359°	
3	Saturation	0-255	0-100%	

P5: CCT - 8bit, 2 Channels

Channel	Function	8bit Value	Actual Value	Note
1	Intensity	0-255	0-100%	
2	Color Temp.	0-255	2700-6500K	

P4: CCT - 8bit, 3 Channels

Channel	Function	8bit Value	Actual Value	Note
1	Intensity	0-255	0-100%	
2	Color Temp.	0-255	2700-6500K	
3	+/- Green	0-10	0-4%	No effect
		11-20	5-8%	Full minus green
		21-119	9-46%	-99 ~ -1% green
		120-145	47-57%	Neutral
		146-244	57-96%	+1 ~ +99% green
		245-255	96-100%	Full plus green

P6: RGB - 8bit, 3 Channels

Channel	Function	8bit Value	Actual Value	Note
1	Red	0-255	0-100%	
2	Green	0-255	0-100%	
3	Blue	0-255	0-100%	

P7: CCT & RGB - 8bit, 6 DMX Channels				
Channel	Function	8bit Value	Actual Value	Note
1	Intensity	0-255	0-100%	
2	Color Temp.	0-255	2700-6500K	
3	+/- Green	0-10	0-4%	No effect
		11-20	5-8%	Full minus green
		21-119	9-46%	-99 ~ -1% green
		120-145	47-57%	Neutral
		146-244	57-96%	+1 ~ +99% green
		245-255	96-100%	Full plus green
4	Red	0-255	0-100%	
5	Green	0-255	0-100%	
6	Blue	0-255	0-100%	

P8: CCT & RGB - 16bit, 10 DMX Channels				
Channel	Function	8bit Value	Actual Value	Note
1/2	Intensity	0-65535	0-100%	
3	Color Temp.	0-255	2700-6500K	
4	+/- Green	0-10	0-4%	No effect
		11-20	5-8%	Full minus green
		21-119	9-46%	-99 ~ -1% green
		120-145	47-57%	Neutral
		146-244	57-96%	+1 ~ +99% green
		245-255	96-100%	Full plus green
5/6	Red	0-65535	0-100%	
7/8	Green	0-65535	0-100%	
9/10	Blue	0-65535	0-100%	



Guangdong Quasar Culture & Technology Co., Ltd.
 3rd Floor, Jinzhou Mansion, Guanlong Road, Dongcheng District,
 Dongguan City, Guangdong Province, China
 +86-0769-22011691
 sales@sgclighting.com
 http://www.sgclighting.com