

## Package Contents

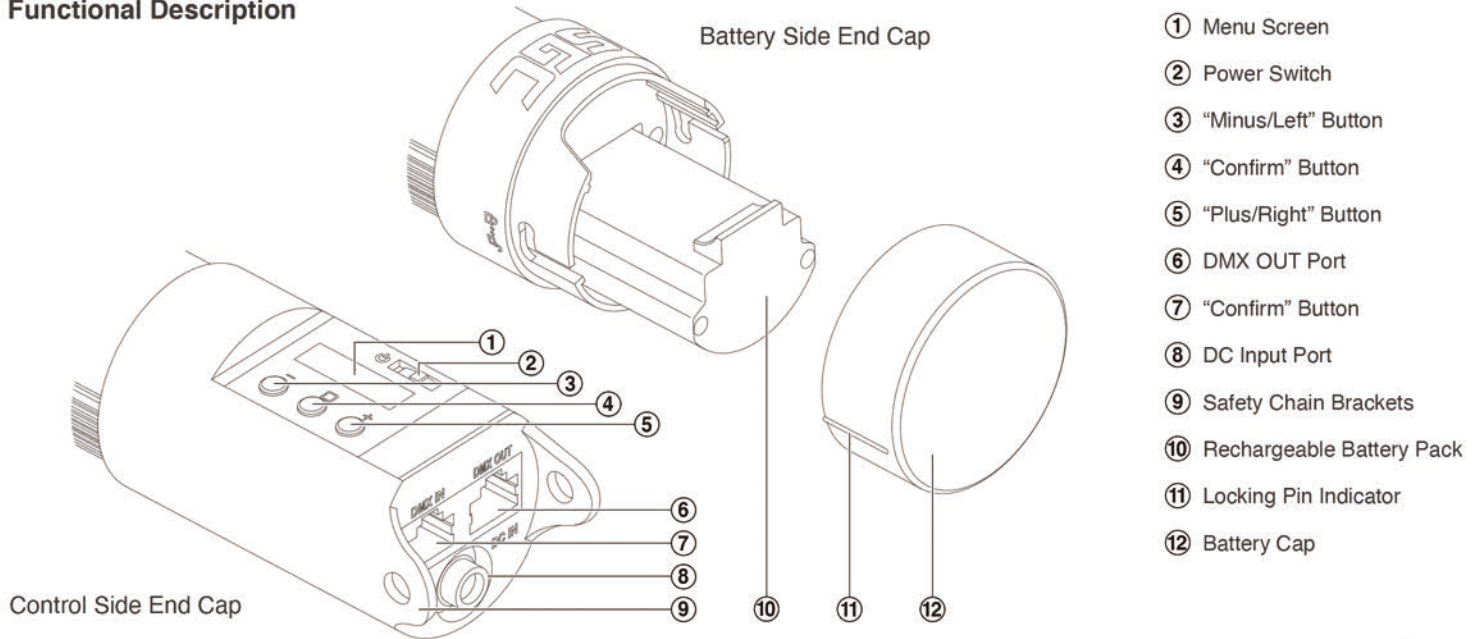
- 1x Hybrid60 OR Hybrid120 tube type LED lamp
- 1x SGC replaceable Li-Ion 16000mAh capacity Battery Pack
- 1x AC Power Supply
- 1x Mini Safety Chain
- 1x User Manual

\*Package contents may be updated or changed without notice.  
\*Various accessories are constantly being developed. Please check our website [www.sgclights.com](http://www.sgclights.com) to learn more.

## Product Specifications

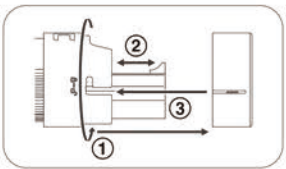
| Models                   | H60  | H120       |
|--------------------------|--|------------|
| Optics                   | White Diffuser   |            |
| Beam Angle               | 150°   |            |
| Color Temp.              | 2700-6000K   |            |
| Color Temp. Tolerance    | ±100K  |            |
| Color Accuracy Standard  | CRI>95, TLCI>95  |            |
| Power Input Range        | DC 24V   |            |
| Power Consumption        | 20W  | 40W        |
| Power Port               | DC input, 2.5*5.5mm barrel connector   |            |
| Lumens (@6000K)          | 2300lm   | 4600lm     |
| Dimming                  | 0-100%   |            |
| Software Interface       | On-board Controller with Display   |            |
| IP Rating                | IP50   |            |
| Operational Temp.        | -20~40°C   |            |
| Fixture Dimensions       | Ø43*600mm  | Ø43*1200mm |
| Fixture Weight           | 0.7kg  | 1.0kg      |
| Battery Capacity         | 16000mAh   | 16000mAh   |
| Battery Pack Charge Life | Expected battery pack capacity after 300 charging cycles: >70%                     |            |
| Expected Lamp Life       | 25000 Hours  |            |
| Controls                 | Manual on-board control, wired/wireless DMX, Wireless Remote Controller (optional) |            |

## Functional Description



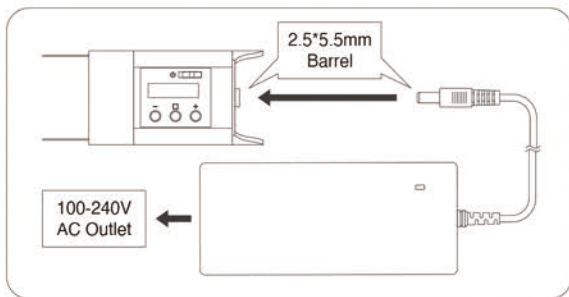
## Operations: Li-Ion Rechargeable Battery Pack

### 1. Removing and Inserting of Battery Pack



- ① Twist the battery cap to unlock and remove it from end cap
- ② Use the built-in tab to pull out the battery pack or insert it
- ③ Align the locking-pin indicator when re-inserting the battery cap

### 2. Charging - Directly inside a fixture (default)



•When a supplied AC power supply is connected to the fixture, it will provide power for the fixture to operate and/or charge the rechargeable battery pack depending if the battery is inside or not.

•Below is the list of Battery Status Icons on the fixture's Control Screen

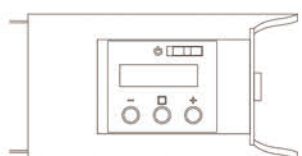
- ☰ Solid battery icon with bars: current Battery Level
- 🔋 Flashing empty battery icon: the battery has less than 5% charge remaining and needs to be charged
- ⚡ Empty battery icon with a lightning sign: the battery is being charged

### 3. Charging - Using an external battery charger (optional)

•An optional external battery charger can be purchased to charge additional battery packs separately.

## Operations: Menu Navigation, Structure and Parameters

### 1. Control Button Functions



- When the fixture is powered on, the **CCT** menu is displayed, showing Color Temp. and Intensity parameters.
- To change Color Temp., press  $-/+$ . To change Intensity, press  $\square$  and then press  $-/+$ .

•For Main Menu, press and hold  $\square$ . Press  $-/+$  to scroll through options.

•To set the DMX Address, press  $\square$  on DMX. Press  $-/+$  to select the Address. Press and hold  $\square$  to Save.

•To Reset to Default, press  $\square$  on RST. Press  $-/+$  to select Yes. Press  $\square$  to Reset Lamp.

### 2. Control Menu Listing

| Main Menu | Sub Menu    | Parameters | Description                      |
|-----------|-------------|------------|----------------------------------|
| CCT       | Color Temp. | 2700-6000K | Adjust Color Temperature by 100k |

| Main Menu | Sub Menu    | Parameters | Description   |
|-----------|-------------|------------|---|
| CCT       | Intensity   | 0-100%     | Adjust Brightness 1%  |
| DMX       | DMX Address | 001-512    | Set the DMX address for the fixture<br><br>By default, the first address is assigned to Intensity, and the subsequent number is assigned to Color Temp. |
| RST       |             | Yes/No     | Factory reset that resets the light to following parameters:<br><br>100% brightness, 3200K Color Temperature, DMX Address 001                           |