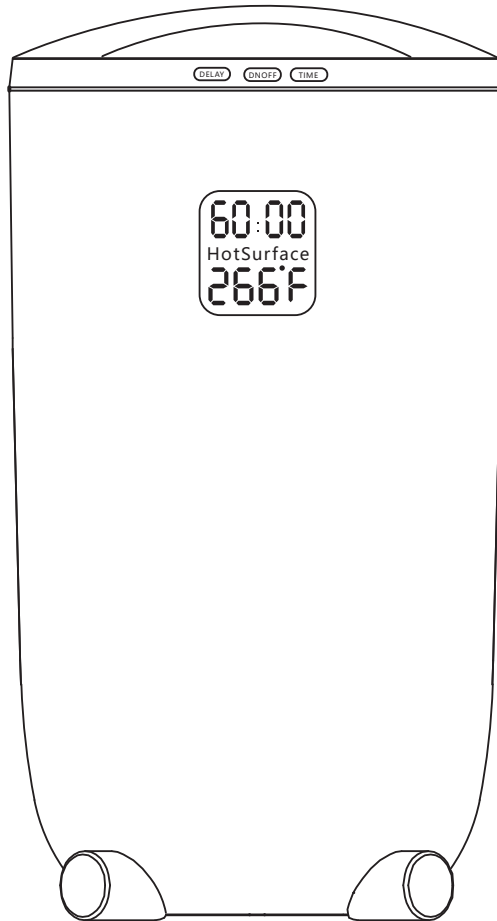




Keen innovations ray your life

# USER MANUAL



Towel Warmer Bucket  
Model: CL45

1. Ultra Large Capacity 20L
2. Inner Fragrance Pads Holder
3. Built-in Timer for 15/30/45/60mins Heating
4. LED Digital Screen for Heating Time and Temperature
5. Child-safety Lock

<b>CONTENTS</b>	<b>PAGE</b>
<b>PRECAUTIONS</b> .....	<b>3</b>
<b>IMPORTANT</b> .....	<b>3</b>
<b>SAFETY WARNING</b> .....	<b>4</b>
<b>PACKAGE DETAILS</b> .....	<b>4</b>
<b>PARTS INSTRUCTIONS</b> .....	<b>5-6</b>
<b>SETTING UP</b> .....	<b>7</b>
<b>FUNCTION BRIEF</b> .....	<b>7</b>
<b>FRAGRANCE DISC</b> .....	<b>8</b>
<b>WARM TIPS</b> .....	<b>8</b>
<b>MAINTENANCE</b> .....	<b>9</b>
<b>SPECIFICATIONS</b> .....	<b>9</b>
<b>WARRANTY</b> .....	<b>9</b>

**Note:**

**Be sure to read all instructions, warnings and precautions carefully before using this product. Failure to do so could result in injury to users or damage to the product.**

# PRECAUTIONS

TO REDUCE THE RISK OF SERIOUS INJURY, PLEASE NOTE THAT THIS IS NOT A TOY. DO NOT ALLOW CHILDREN TO OPERATE OR PLAY NEAR .  
THE TOWEL & BLANKET WARMER.

TO REDUCE THE RISK OF FIRE OR ELECTRIC SHOCK, DO NOT EXPOSE THIS PRODUCT TO RAIN OR MOISTURE.



The lightning flash with an arrow-head symbol within an equilateral triangle is intended to alert the user to the presence of uninsulated "dangerous voltage" within the product's enclosure that may be of a sufficient magnitude to constitute a risk of electric shock.



The exclamation point within an equilateral triangle is intended to alert the user to the presence of important operation and maintenance (servicing) instructions in the literature accompanying the product.

## IMPORTANT

ALL SAFETY AND OPERATION INSTRUCTIONS SHOULD BE READ, ADHERED TO AND FOLLOWED BEFORE THE PRODUCT IS OPERATED.

- FOR HOUSEHOLD USE ONLY
- FOR ADULT USE ONLY
- FOR DRY FABRIC ITEMS ONLY
- SAVE THESE INSTRUCTIONS

# SAFETY WARNING



To reduce the risks of electric shock or serious injury to persons when using the appliance, please follow basic precautions including reading all instructions before using the appliance.

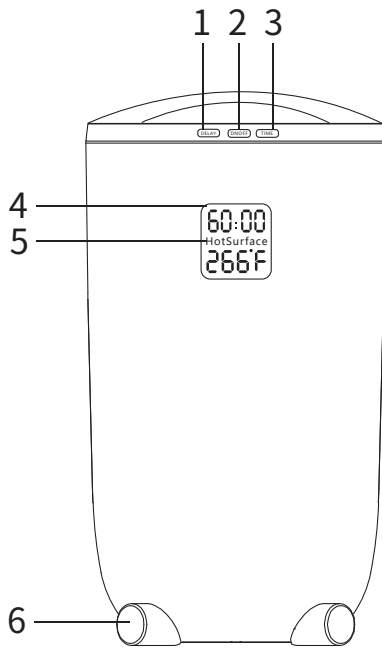
- Unplug the unit from the electrical outlet when you no longer use it.
- Do not use the unit for anything other than its intended use.
- Do not place the unit in or drop into water or other liquid. Protect it from any water splashing.
- Close supervision is necessary when this unit is used near children or disabled persons.
- Never operate this unit if it has a damaged cord or plug, or if it has been dropped, damaged , or dropped in water.
- Keep cords away from heated surfaces. Do not wrap the cord around the exterior of the appliance or let the cord hang over a table or counter edge.
- Do not alter the safety plug or use an extension cord with this device.
- Do not operate with a voltage converter.
- Do not touch hot surfaces.
- Do not use accessory attachments not recommended by the manufacturer as this may cause injuries.

## PACKAGE DETAILS

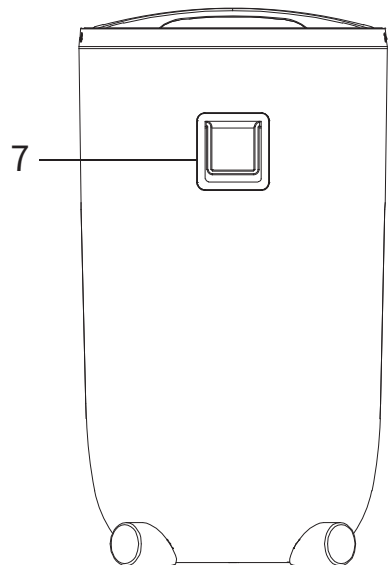
NO.	ACCESSORY NAME	QUANTITY
1	Towel & Blanket Warmer	1
2	User Manual	1

# PARTS INSTRUCTIONS

NO.	PART NAME
1	Delay Button
2	On/Off Button
3	Time Button
4	Liquid Crystal Display Screen
5	Hotsurface Indicator
6	Feet
7	Bucket Handle
8	Detachable Hook
9	Lid Handle
10	Lid
11	Child Safety Lock
12	Fragrant Disc Holder
13	Bottom Part
14	Power Cord



Front view

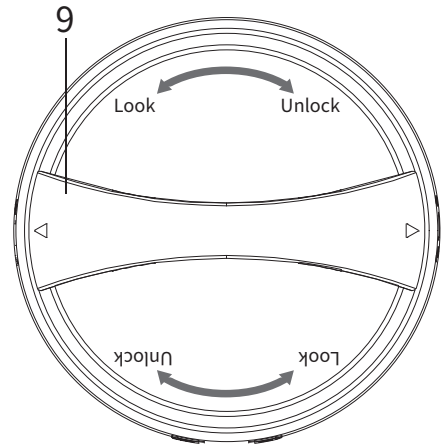


Back view



4 DETACHABLE HOOKS--Rotate to Remove

Used to hang small fabrics and take them out easily, such as underwear , socks , T-shirts , vests , headscarves and more. Please remove the hooks when heat oversized fabrics. Be careful not to touch the hook and avoid get burned by it.



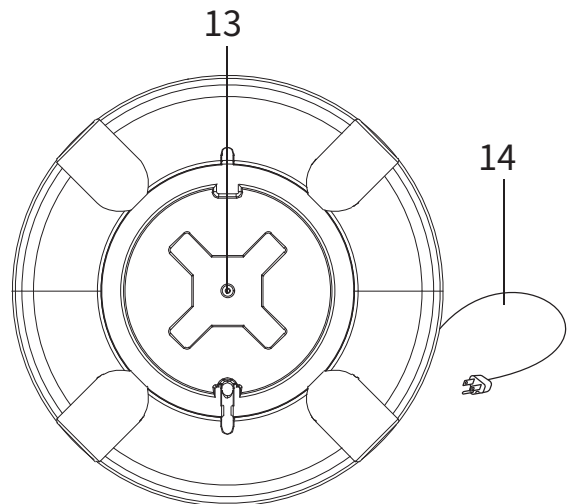
Lid outside

For the safety of your children, please turn on the child lock when using it. Rotate the lid anticlockwise to lock, and clockwise to unlock. Double check the lid to make sure it's locked when heating up. Keep the towel warmer away from your kids, children or baby.



Lid inside

Slide it into the Fragrance Disc Holder located on the underside of the lid.



Bottom view

You can organize the power cord into the bottom groove to avoid wire mess.

# SETTING UP

1. Open the Lid and remove any packaging contents.
2. Place the Towel Warmer on a dry, level, hard surface.
3. Insert Plug into a standard 20V outlet.

## FUNCTION BRIEF

### 1. Button control

- Power Button (ON/OFF) - Short press to turn on or off. Also can directly start heating for default time 60mins.
- Delay Button - Short press to choose for up to 24h appointment time.
- Time Button - Short press to switch to 15-30-45-60 minutes, the default timing of heating is 60minutes.

Every setup will take effect after 5s.

### 2. Heating Time Control

Press the Power Button, the towel warmer will start to heat up. You can control the timing of heat for 15/30/45/60mins by pressing the timer button. The default time of heat is 60 minutes.

The temperature inside will rise up to 268°F in 6 minutes, and keep at about 200°F-248°F within 15 minutes. After 15-minute heating, the towel warmer will enter into the heat preservation state and the temperature will be kept at 200°F-248°F until the timer expires. After the timer expires, please turn off the towel warmer.

### 3. Heating Time Display

When you set up a heating time, the liquid crystal display will show a countdown to the corresponding heating time. After the timer expires, the heating stops and towel warmer turns off automatically to save power;

### 4. Heating Temperature Display

When you set up a heating time, the liquid crystal display will also show the real-time temperature of the inner surface in Fahrenheit.

### 5. Hot-surface Indicator

When the inner temperature of the towel bucket > 110°F, the HOT SURFACE INDICATOR turns on. Be careful not to touch the inner wall to avoid burns

\* After the heating cycle is complete, the INTERIOR SURFACE of the towel warmer will remain dangerous to touch until the HOT SURFACE INDICATOR turns off.

\* These data are experimental data, and the results may be different under different temperatures.

# FRAGRANT DISC

This fragrance disc additionally designed is for some users who like to use aromatherapy tablets or essential oils when warming towels.

PS: Essential oils are not included in the product.

1. Remove the aromatherapy tablet from its sealed plastic bag.
2. Slide it into the Fragrance Disc Holder located on the underside of the lid.



- The Fragrance Disc is an innovative air freshener for your home, which also effectively eliminates odors.
- Fragrant is a breakthrough in the home fragrance world! Prepare a fragrant disc and use with this product will bring you a better enjoy experience.

## WARM TIPS

1. Use cotton or cotton blend towels.
2. For fast and even heating, loosely pile one towel into the Towel & Blanket Warmer. Tightly rolled or folded towels will take longer to heat thoroughly. Two towels will take longer to heat than one.
3. Use only with DRY fabrics. Note: Do NOT use with damp or wet fabrics.
4. Avoid using delicate fabrics that cannot withstand high heat. Any fabric indicating that a cool iron must be used may not be able to withstand the heat of the Towel & Blanket Warmer, resulting in damage to the fabric and the product.
5. Keep the lid closed once heating has started, this will prevent heat escaping. Opening the lid may cause longer heating time.
6. NOTE: CONDENSATION ON THE LID AND INTERIOR OF THE PRODUCT IS NORMAL.
7. The Fragrance Disc can be recycled. You can add essential oil to the disc after its original fragrance wears off. Usually the fragrance lasts for 10-15 days when used with heat and naturally evaporates for 30 days. (This data is for reference only and is determined by actual usage).



# MAINTENANCE

REMOVE THE POWER CORD BEFORE CLEANING. WIPE WITH DRY FABRICS ONLY.

## SPECIFICATIONS

<b>SPECIFICATIONS</b>	<b>North America</b>
Rated Voltage	120V AC
Frequency	60HZ
Wattage Max	450W
Weight	4.8kg / (10.6lbs)
Dimensions	23"(h)x14"(w)x14"(d)

**Note:** This towel warmer can only be used in North America and other countries which have the same specifications.

## WARRANTY

### ONE-YEAR LIMITED WARRANTY

Congratulations on your purchase of the Towel Warmer! This unit is warranted to be free from defects in materials and workmanship under normal use and service for a period of one year from the date of purchase with the original receipt. The manufacturer's obligation shall be limited to replacing a defective product with the same or similar product. This warranty shall not apply to damage from accidents, abuse, misuse, normal wear and tear or abusive handling.

Any question please feel free to contact us via [service@keenray.com](mailto:service@keenray.com)



Keen innovations ray your life

