



SVD PET

Pets Love. Love Pets.


# Pet Training Mat User Manual



SVD PET  
Pet Training Mat  
© 2020 SVD PET  
All rights reserved.

If any quality problems or confusion, feel free to contact us via

 @svd.pet

 trainingmatsupport@svd.pet

[www.svd.pet](http://www.svd.pet)

## Warning



1. This product must not be used with puppies, kittens, old and sick pets, aggressive pets or pets in heat.
2. Be sure to read this manual carefully before using this product. Do not use the product without reading the manual.
3. Before turning the training mat on, please make sure it is fully unfolded. It must not be used while folded up.
4. You must not place anything on this product, and it must be kept dry and clean.
5. Children, persons with mobility impairments and the elderly must not approach this product, and no one should touch it when the power is on.
6. Keep the product away from other electrical appliances, high temperatures and water, and make sure it is kept in a dry environment.
7. When using this product for the first time, the owner should be present to observe whether the pet has any adverse reactions.
8. This product is a training aid. Do not rely solely on this product to prevent bad pet behaviour or to protect valuable items.

## Important Information

1. You must clean and thoroughly shave the soles of your pet's paws, otherwise, it will affect the use of the product.
2. The static shock of the mat is minor, but people can still feel it. People should avoid contact with the mat when it is turned on.
3. There is a risk of tripping or slipping if you walk on the mat. Do not use the mat on or near the stairs.
4. When cleaning the mat, make sure the controller is turned off, then wipe it with a dry cloth. Do not soak the mat in water or clean it with other detergents.
5. When the product is not in use, please turn it off, remove the battery, roll it up, put it back in the box, and store it in a cool and dry place.
6. The product is for indoor use only.
7. To prevent scratches on the surface of your car or furniture, place a soft, dry cloth under the mat.

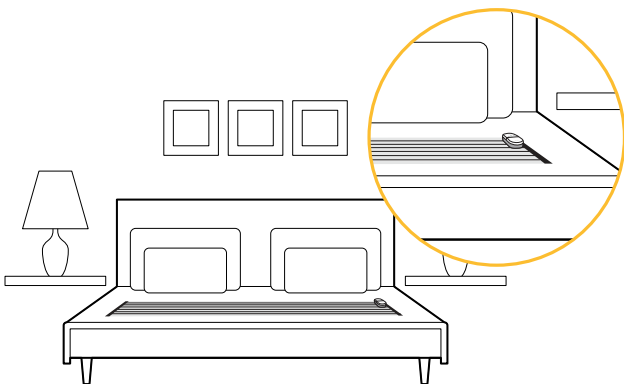
8. The product is a training aid and requires human intervention to be effective. It is not effective for all pets, including some dogs and cats.

## Product Prevents Pets From:

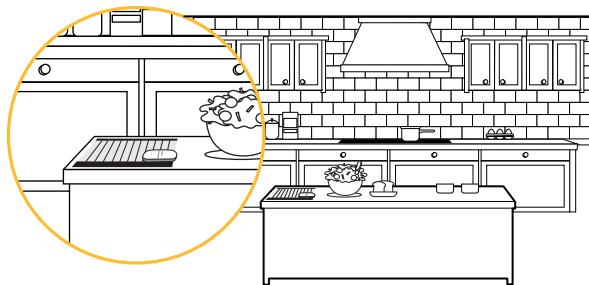
### Entering a room



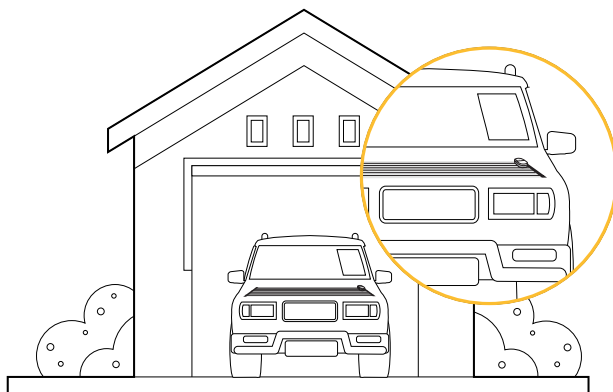
### Jumping on furniture (sofa, bed, stove, dining table, etc.)



### Jumping on countertops



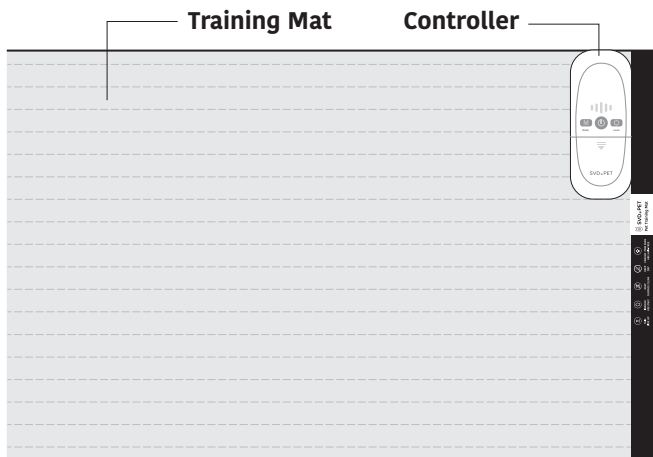
### Jumping on a car (\* INDOOR USE ONLY)



## Packing List

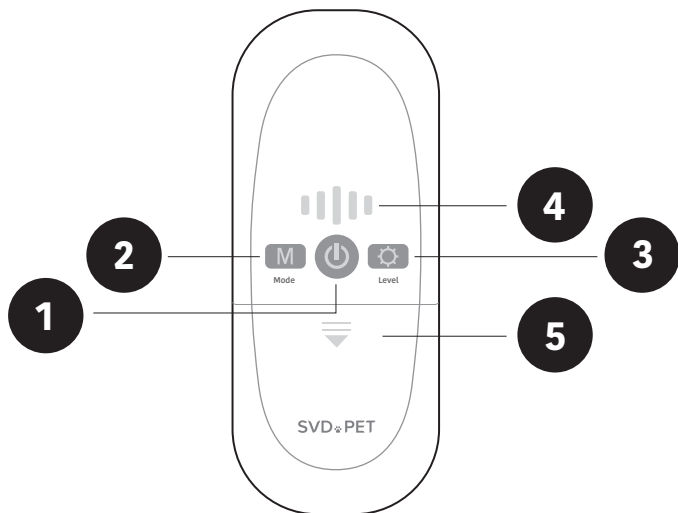
- 1x Training Mat
- 1x Controller
- 1x User Manual
- 1x Small Accessory Package (mini screwdriver + extra waterproof sticker)

# Product Overview



**Note:**  
The side with the controller box should face up.

## Controller



**1 Power Button:** Ensure the battery is installed, press and hold the Power Button down until you hear the beep sound to turn the controller on or off.

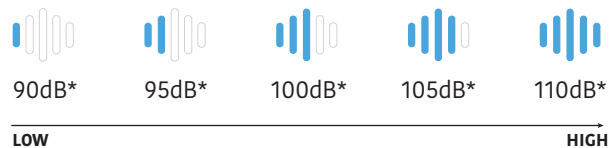
**2 Mode Button:** Press this button to switch between the following modes:

- **Beep mode:** The device emits a beep sound when pets touch the mat.
- **Static mode:** The device emits electric shock when pets touch the mat. There is no sound when pets touch the mat in this mode.
- **Beep and Static mode:** The device emits a sound and an electric shock when pets touch the mat.

**3 Intensity Level Button:** Press this button to increase intensity level.

**4 Mode and Intensity level status LED indicator:** 5 LED lights indicate 5 intensity levels from low to high.

### (Beep mode - Blue)



\* Test condition: environment noise: 45 dB Distance 20mm

### (Static mode - Red)



### (Beep + Static mode - Purple)

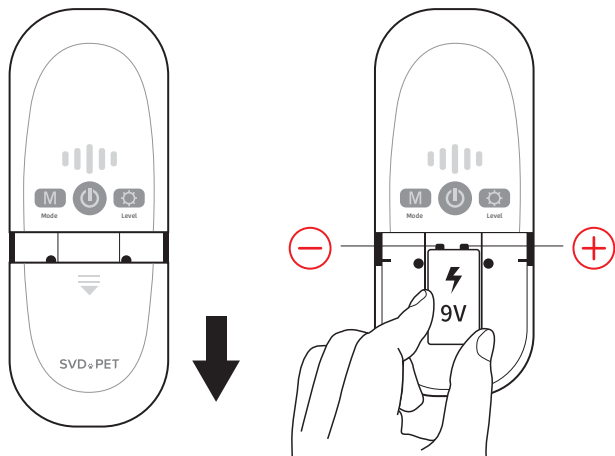


**5 Battery Cover:** Slide off the battery cover to insert the battery in.

## Quick Start Guide

**Step 1.** Remove the battery cover and insert a 9V battery in the controller (**battery not included**).

**Low Battery Warning:** When the first LED light on the left flashes, please change the battery.



**Step 2.** Unfold the training mat and place it where pets are not allowed to approach. Ensure the mat is placed controller side up; otherwise, the product will not function as intended. Never place anything objects the training mat.

**Note:** Position the training mat firmly to prevent the mat from slipping.

Keep the mat away from fire and water, and prevent objects from falling on it.

**Step 3.** Turn on the controller. Press and hold the Power Button ① down until you hear two beeps to turn the controller on.

**Step 4.** Select the proper training mode ② and intensity level ③ for your needs.

**Step 5.** Start to train your pet.

**Note:** When using this product for the first time, the owner must be present to observe whether the pet has any adverse reactions.

## Mode Selection

**1. Training with Beep+Static Mode – Static Electricity + Tone Training Mode:** When the pet steps on the mat, the controller will emit a high-frequency warning sound and discharge static electricity. The strength of the static electricity can be set to "low, medium or high", according to the pet's sensitivity to static electricity. During first use, test your pet's sensitivity to static electricity, starting with the lowest level and observe the pet's response. In this mode, the Blue LED light and Red LED light will flash together every 3 seconds.

In this mode, pet owners are advised to promptly come and stop the pet's bad behaviour when they hear the warning tone. Pets will remember that high-frequency warning tones mean "no", and when dogs and cats are repeatedly warned with static electric stimulation, the command will be well remembered.

**2. Training with Beep Mode – Audible Warning Mode:** Use this mode when you think your cat or dog remembers that the "high-frequency warning tone" means no. This mode only emits a sound (the volume is not adjustable) without static electric discharge. The blue light flashes every 3 seconds in this mode.

**Reminder:** Some cats and dogs have strong personalities and will keep trying. When they find that there is no static electricity, they may step on the training mat. You should continue to use the "Static+Tone Training Mode" to consolidate the training effect.

**3. Training with Static Mode – Electric Shock Mode:** Use this mode when you do not want to be disturbed by the tone. When the pet steps on the training mat, there is only a static electric discharge, which can be set to "low, medium, or high", according to the pet's sensitivity. When in this mode, the red light flashes every 3 seconds.

## Smart Protection

1. Each time you power on, the training mat will perform a self-test:
  - If dirt is detected, the controller will sound an alarm. When this happens, immediately turn off the device and clean the training mat should with a dry cloth.
  - If no dirt is detected, the controller emits a "beep" and enters operational mode.
2. Under normal working conditions, the LED Status indicator light will flash every 3 seconds (the color and position of the light correspond to the training mode selected).
3. If your pet stays on the training mat for more than 5 seconds, the static mode will automatically turn off, and a warning sound will be triggered. This feature is to protect your pet from prolonged static shocks. When your pet leaves the mat, all training functions restore. Liquids or conductive objects touching static trace lines also trigger this safety feature.

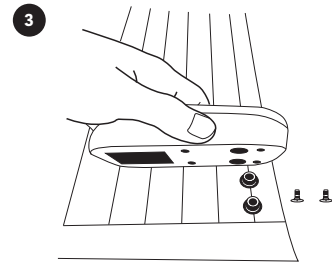
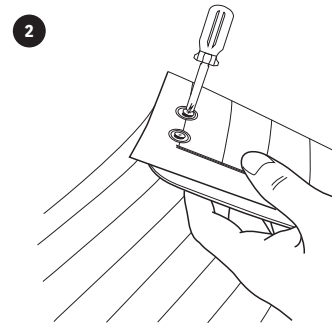
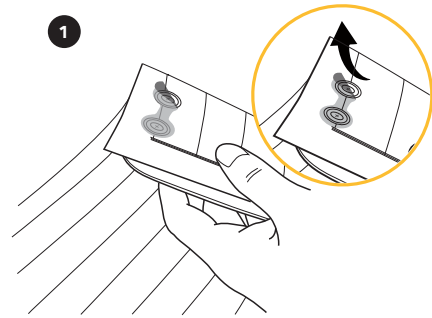
## Clean The Training Mat

1. For light cleaning, ensure sure the controller off. Use a damp cloth to wipe down the training mat and let dry. Ensure the training mat is completely dry before turning the controller back on.
2. For heavy cleaning, remove the controller from the mat and wash the training mat with water by following the steps below:

**Step1:** Turn off the controller.

**Step2:** Remove the controller from the training mat.

- 1 Peel off the waterproof sticker on the back of the training mat.
- 2 Use the provided screwdriver in the package to remove the two small screws.
- 3 Detach the controller from the training mat.



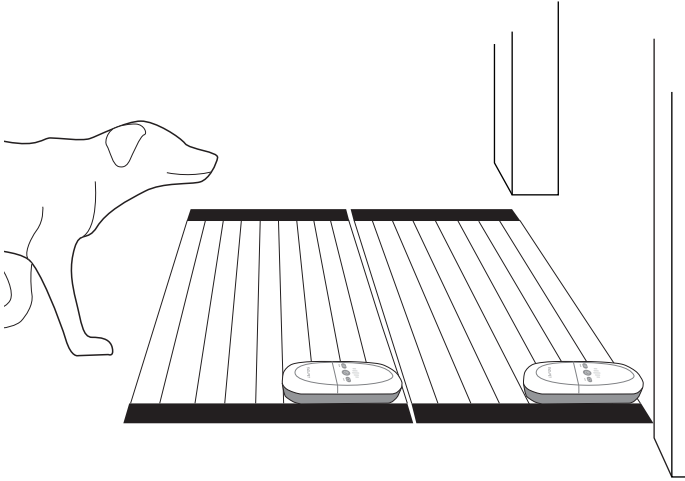
**Step 3:** Wash the mat with water and wipe the surface with a cloth. Do not soak the mat in water or clean it with other detergents. Never use a brush. Brushes can scratch the surface and damage the detection lines.

**Step 4:** Dry the mat with a dry cloth and let sit until fully dry.

**Step 5:** Reattach the controller to the mat with screws. (If the waterproof sticker is damaged, please use the extra sticker including in the package.)

## Main Training Tips

1. If you are not sure whether this product is suitable for your pet, please consult your veterinarian or professional trainer before using it.
2. You must clean and thoroughly shave the soles of your pet's paws, otherwise, it will affect the use of the product.
3. When your pet obeys, reward it with food or petting.
4. When using the training mat for the first time with your pet, use the "Static+tone training mode" as much as possible to help your pet remember the "no" command.
5. Smart cats and dogs may figure out how to circumvent the mat. You can adjust the mat's placement depending on your pet's response to the mat and what it wants to do in the area.
6. You can add additional training mats to increase coverage to prevent large dogs or cats from jumping over and bypassing the training mat.



7. Do not force or lure your pet onto the training mat.
8. After successfully training your pet, please leave the training mat in place as a visual reminder.

## Common Problems and Troubleshooting

### 1. There is no electric shock effect after turning the device on.

- Clean your pet's paws and shave excess and protruding hair in between pads. Check to ensure the mode switch is in the electric discharge position.
- Increase the electrostatic strength "from low to medium or high".
- Check whether the battery has any charge left. Replace it with a new one if necessary.
- Tighten the screws between the controller and the mat.
- If none of the above solutions work, please contact technical support at [trainingmatsupport@svd.pet](mailto:trainingmatsupport@svd.pet)

### 2. If my pet doesn't respond to training

- Some pets are capable of bypassing or jumping over the mat. Please adjust the placement of the training mat or increase the number of mats.
- Your pet's paws may be dirty or hairy. Clean the paws and shave excess and protruding hair in between the pads.

### 3. Is the mat safe for people and pets?

- Although electrostatic stimulation is very uncomfortable, it is safe for both you and your pet.

## Terms of Use and Restrictions

1. Use of this product implies acceptance of all terms.
2. This product is designed for training pets and may not be effective on pets with certain personalities.
3. If your pet is aggressive, we do not recommend using this product; if you are not sure if this product is suitable for your pet, please consult a veterinarian or a professional trainer.

4. Do not use this product to prevent pets from approaching valuable items. This product cannot completely prevent pets from destroying items.
5. This product is only suitable for pets. The pet training device is safe and harmless. It must be used without violating local laws.
6. The company is not responsible for any direct and indirect losses caused by the use or misuse of this product; the buyer bears all risks of using this product.

## After-sales Service

1. Technical Support: [trainingmatsupport@svd.pet](mailto:trainingmatsupport@svd.pet)

## FCC Statement

This equipment has been tested and found to comply with the limits for a Class B digital device, pursuant to part 15 of the FCC Rules. These limits are designed to provide reasonable protection against harmful interference in a residential installation. This equipment generates, uses and can radiate radio frequency energy and, if not installed and used in accordance with the instructions, may cause harmful interference to radio communications. However, there is no guarantee that interference will not occur in a particular installation. If this equipment does cause harmful interference to radio or television reception, which can be determined by turning the equipment off and on, the user is encouraged to try to correct the interference by one or more of the following measures:

- **Reorient or relocate the receiving antenna.**
- **Increase the separation between the equipment and receiver.**
- **Connect the equipment into an outlet on a circuit different from that to which the receiver is connected.**
- **Consult the dealer or an experienced radio/TV technician for help.**

Caution: Any changes or modifications to this device not explicitly approved by the manufacturer could void your authority to operate this equipment.

This device complies with part 15 of the FCC Rules. Operation is subject to the following two conditions: (1) This device may not cause harmful interference, and (2) this device must accept any interference received, including interference that may cause undesired operation.

## Product parameters

<b>Material</b>	ABS + PC
<b>Battery type</b>	9V alkaline battery or and 9V rechargeable batteries
<b>Standby time</b>	90 days standby under normal operating conditions
<b>Operating environment</b>	Indoor use The optimal temperature: 32 °F ~ 104°F, The optimal humidity: <65 RH
<b>Features</b>	Mild static electricity, audible signals.

If any quality problems or confusion, feel free to contact us via

 [@svd.pet](https://www.facebook.com/svd.pet)

 [trainingmatsupport@svd.pet](mailto:trainingmatsupport@svd.pet)

[www.svd.pet](http://www.svd.pet)