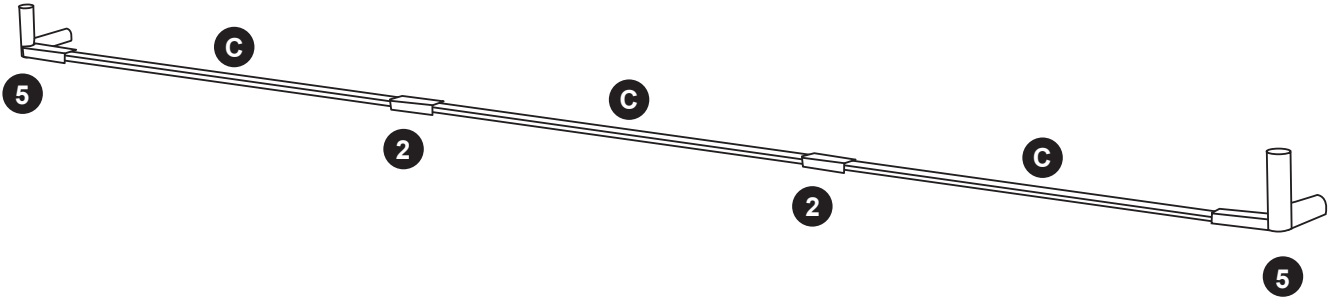


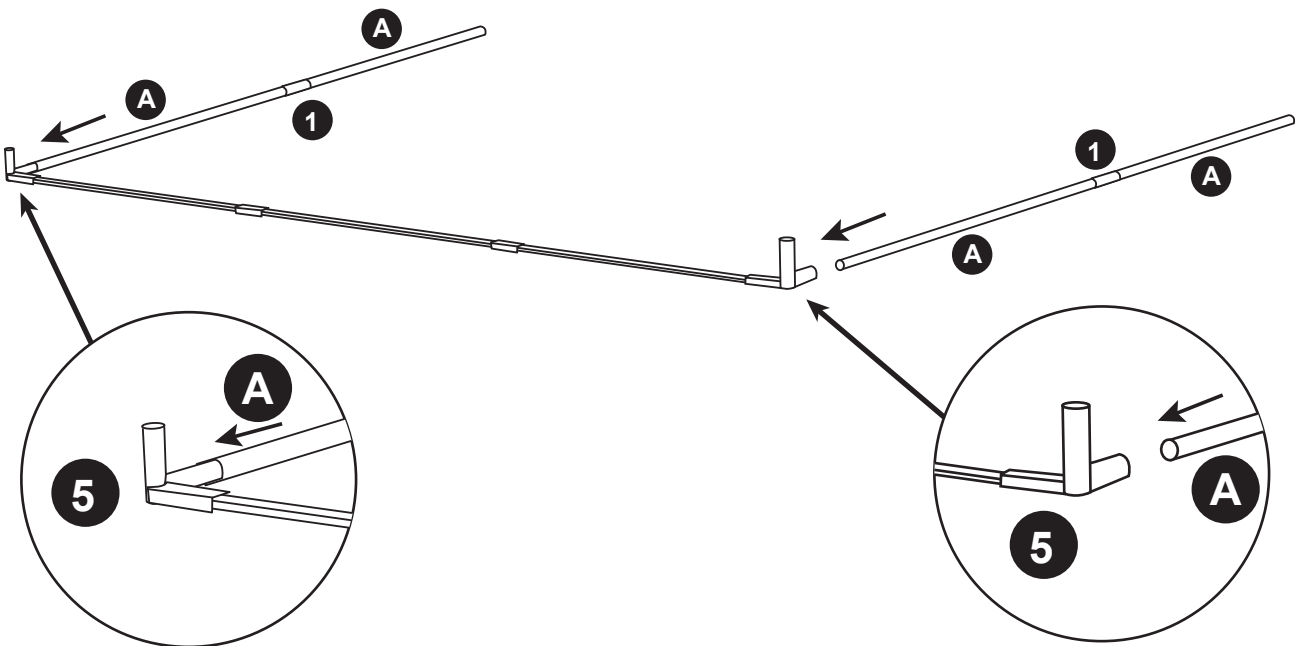


1



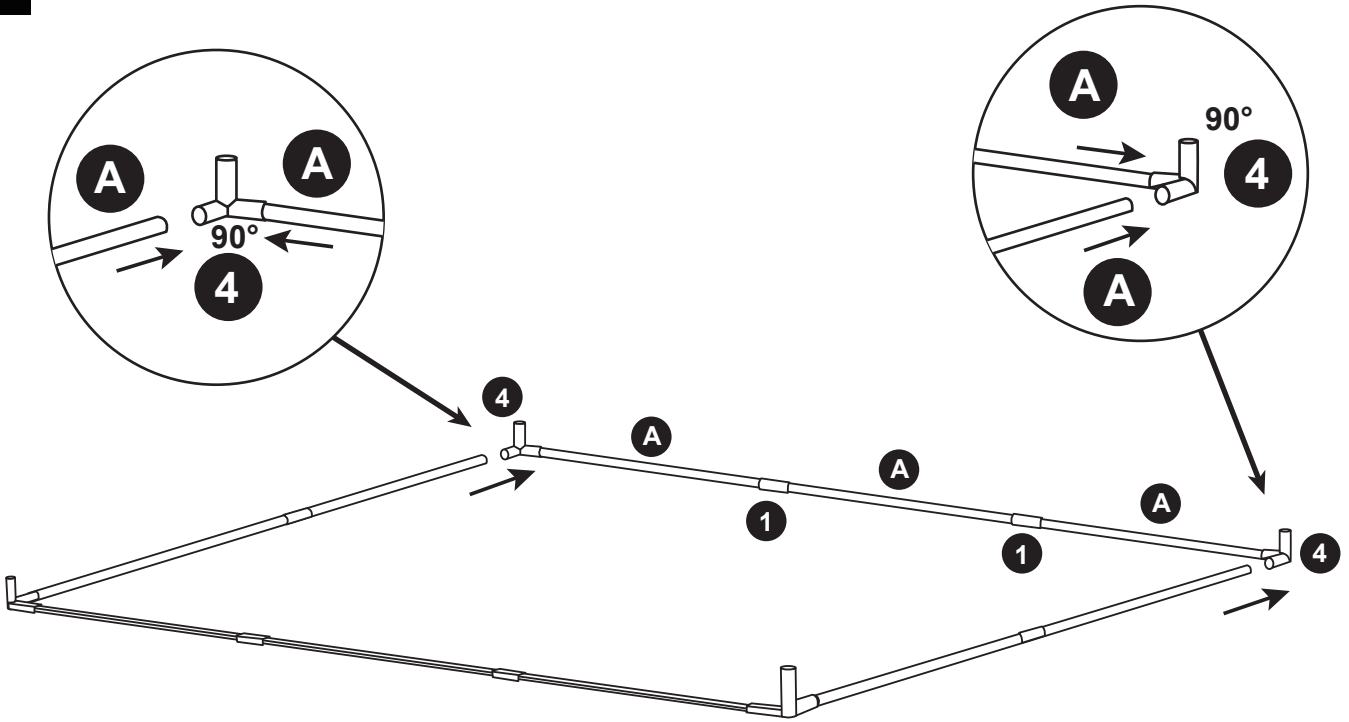
Note: The parts 5 are distinguished between left and right.

2

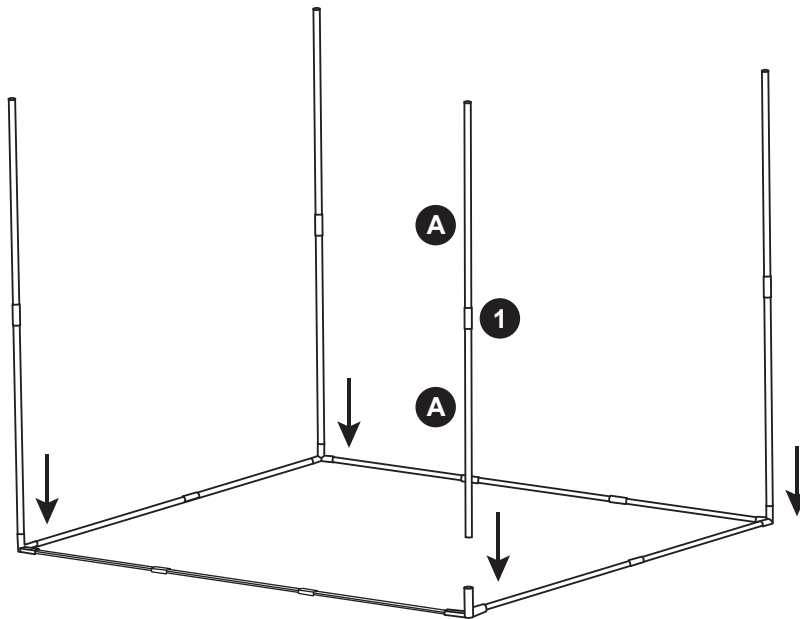




3



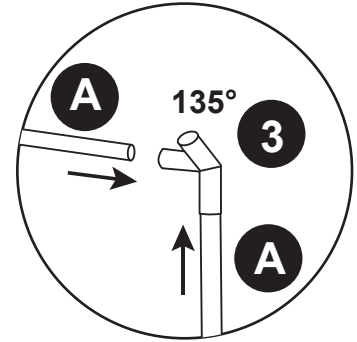
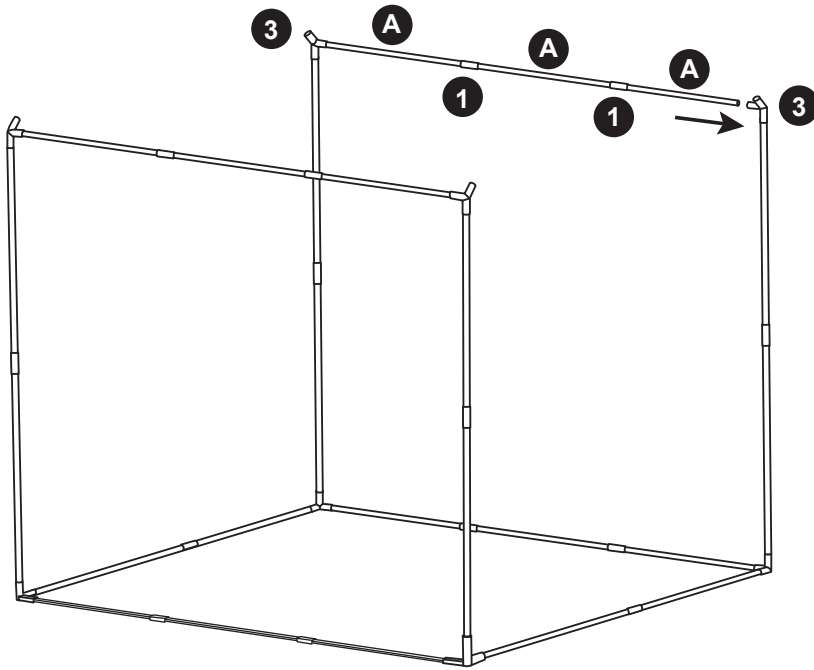
4



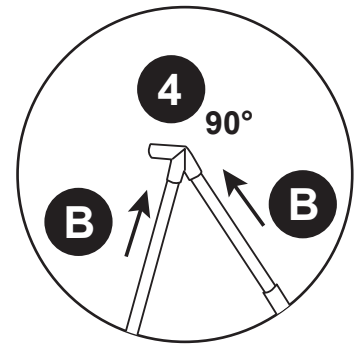
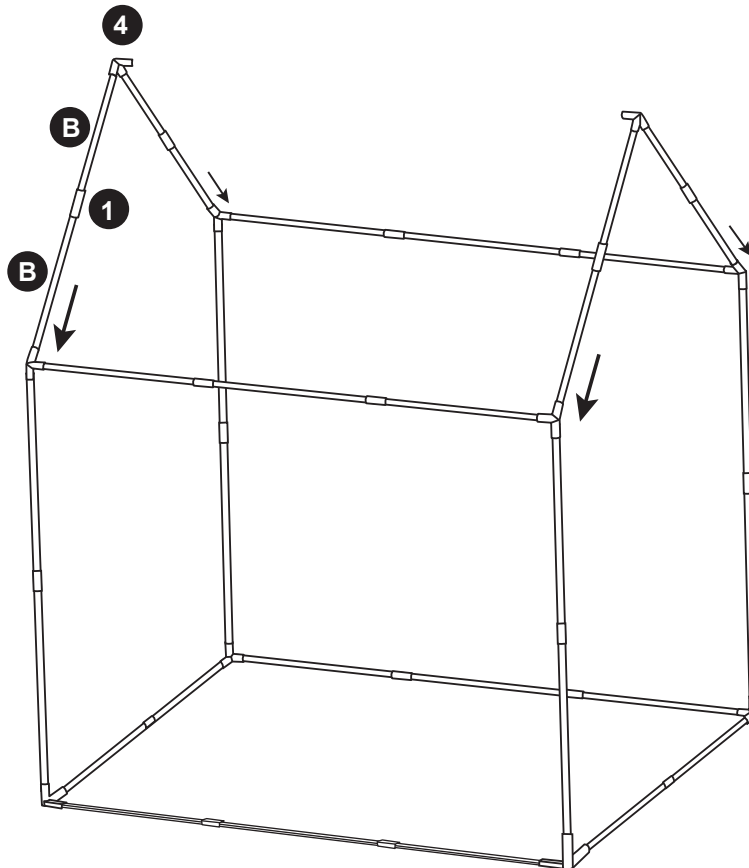


TINY LAND

5

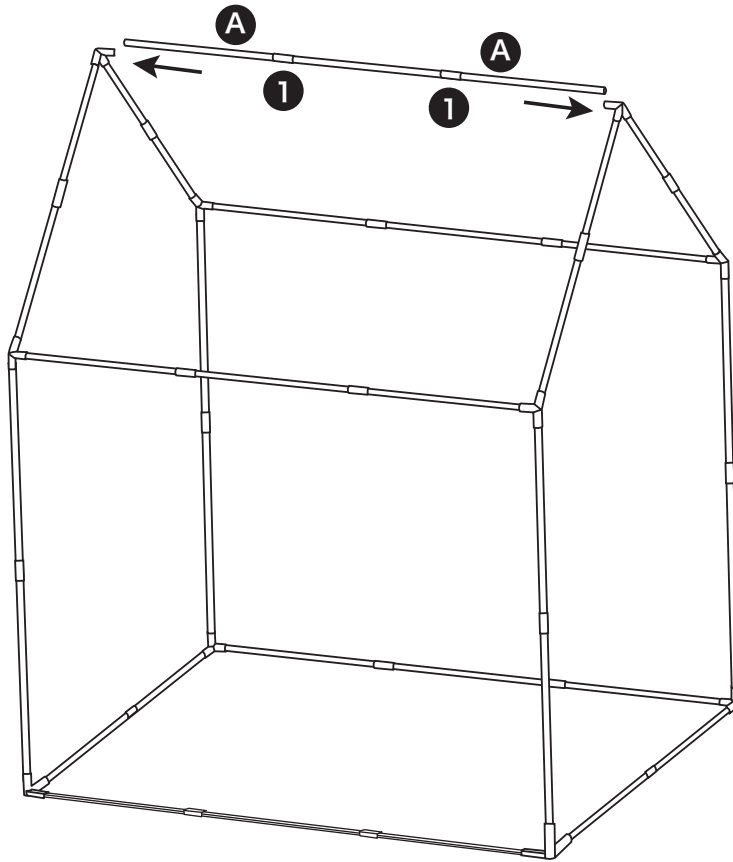


6

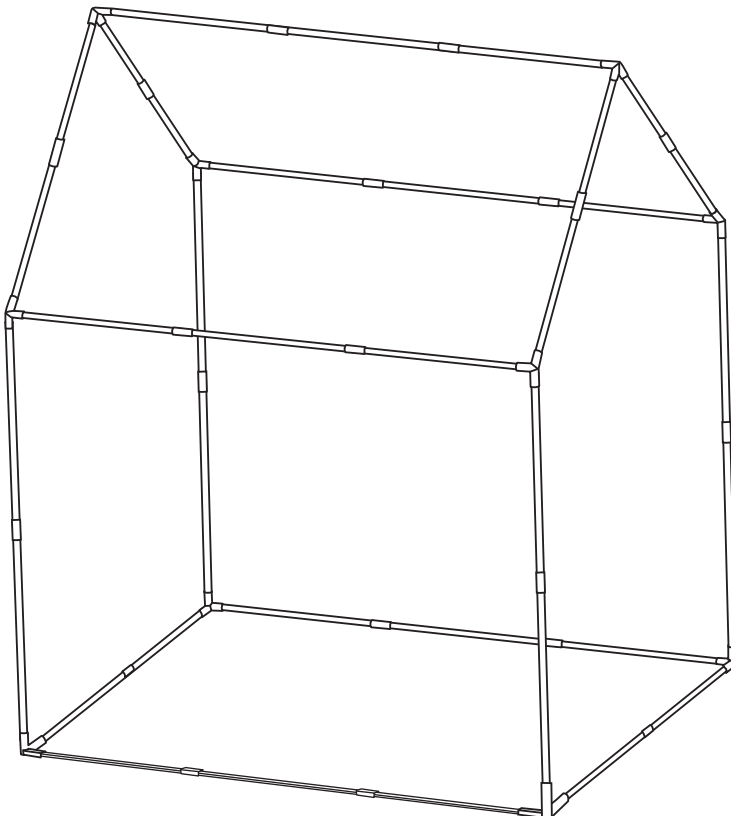




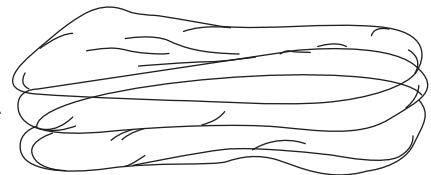
7



8



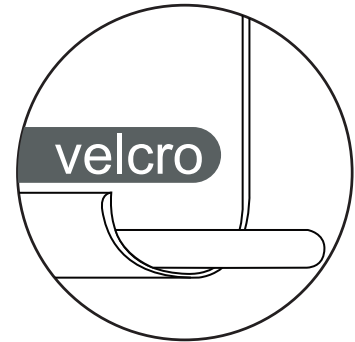
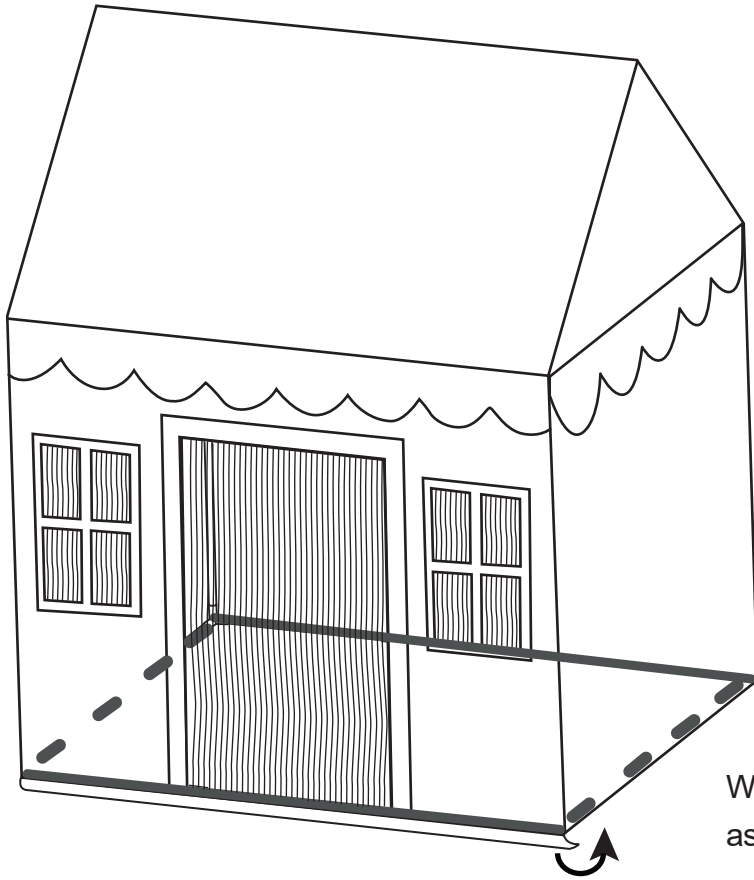
E



Follow the picture to fix the fabric cover **E** on the frame.

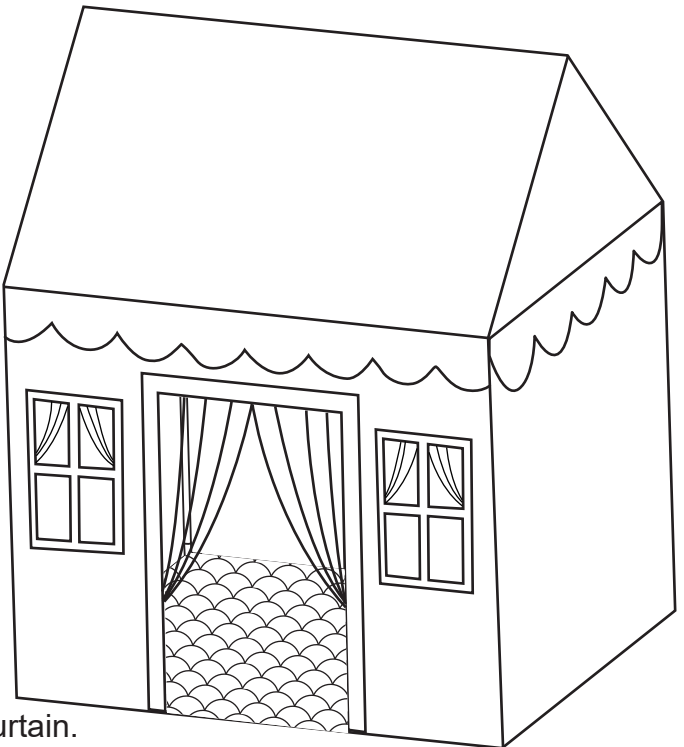
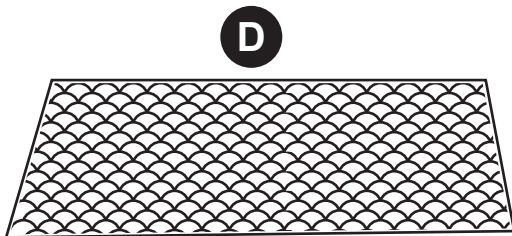


9



Wrap the bottom edge of the tent with Velcro as shown to secure the tent and frame.

10



Put the cushion **D** inside the tent and tie the curtain.
As shown in the picture, the assembly is now complete.