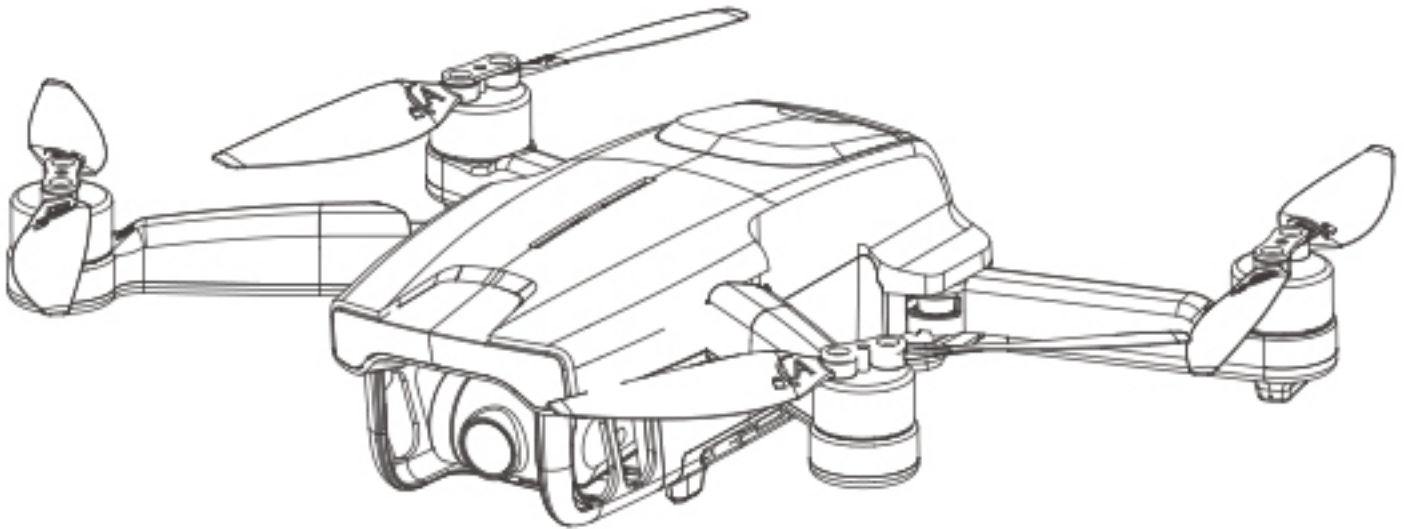




14+

X650 GPS BRUSHLESS DRONE



User manual

Contents

EN	ENGLISH INTRODUCE	1-24
DE	DEUTSCH EINFÜHRUNG	25-51

Contents

1.0 Important safety information	2
2.0 About this product	3
2.1 Specifications	3
2.2 Install the SYMA Pro app	4
2.3 Drone components	4
2.4 Remote control	4
3.0 Assembling the product	5
3.1 Installing the propellers	5
3.2 Inserting a memory card (optional accessory)	5
3.3 Charging the drone battery	6
3.4 Instruction of remote control	7
4.0 Flight guide	8
4.1 Flight preparation and turning the drone on/off	8
4.2 The method of Remote control flight controlling	10
4.3 Flight modes	11
4.4 Flight control	13
4.5 Smart app features	17
5.0 Drone status and maintenance	18
5.1 Understanding the drone LED indicators	18
5.2 Troubleshooting	18
6.0 Accessories (available separately)	19

1.0 Important safety information

Thank you for purchasing this SYMA product. To ensure that you operate the aircraft correctly and conveniently, please read these instructions carefully before first use and store them in a safe place for future reference.

Safety Guide

1. Adult or experienced RC pilot's supervision is recommended for children.
2. Rechargeable batteries are to be removed from the toy before being charged.
3. Batteries are to be inserted with the correct polarity.
4. Rechargeable batteries are only to be charged under adult supervision.
5. Non-rechargeable batteries should not be recharged; Batteries should be inserted with a correct polarity; Different types of batteries, new or used batteries should not be mixing.
6. Turn off the drone/transmitter and remove the batteries when not in use.
7. The supply terminals are not to be short-circuited.
8. Keep away from the rotating blades (rotating blades may cause bodily injuries, or damage to property).
9. Attention: please assemble the drone with the guidance of adults.
10. Do not look directly into the LED lights of the drone as it can damage your eyes.
11. Exhausted batteries are to be removed from the aircraft.
12. Please store the smaller-sized drone accessories in places that are out of reach of children.
13. This drone is very powerful. For all first-time flights, the left joystick must be slowly pushed up in order to prevent the drone from ascending too fast to avoid unnecessary collision and possible damage and injury.
14. When the flight is ended, first turn off the power of the remote control. Then turn off the power of the drone.
15. Avoid placing the batteries in places with high temperatures and exposure to heat.
16. Please keep a safe distance from the spinning propellers to avoid injury.
17. To ensure the electromagnetic environment requirement of the aviation radio (station), using remote controls in the zone, which is in a radius of about 5000m zone from the circle center of the airport runway, is forbidden. All users also should abide by the regulation of the radio set forth by government and regulatory agencies including the duration and area.
18. Pay attention to keeping distance of 2-3 meters from the user or other people when the drone is flying, avoid the drone landing to hit the head, face or face or body of another person.
19. Attention: Drone assembly under adult supervision.
20. The packing has to be kept since it contains important information.

Repair and maintenance

1. Use clean and soft cloth to clean the product.
2. Keep away the product from heat sources.
3. Avoid water exposure to this product. Moisture may cause damages of drone electronic parts.
4. Transformers used with the drone should be examined regularly, such as propeller blade, motor, battery and other parts. In case of any damages is found, please stop using it unless it is repaired or replaced.

2.0 About this product

2.1 Specifications

Aircraft	
Aircraft weight	about 244g
Aircraft Size	290x260x55 mm
Range	500m
Altitude	100m
Image transmission range	500m
Operating conditions	0°C to 40°C
Video transmission frequency	5 G
Motor	1503 brushless motor
Battery	7.6V 2100mAh
Charging time	About 220 minutes
Flight time	Hovers indoors for 26-28 minutes
Parameter of shooting	
Operating Frequency	5 GHz
Photo Resolution	4096*2160P (stored in TF card) 2560*1440 (stored on mobile phone)
Video Resolution	2560*1440 (stored on mobile phone)
Lens	FOV 110°
Max Transmission Distance	1640 feet/500m(outdoor and unobstructed)
FPV Real-time Transmission	720P@25fps
Photo Formats	JPEG
Video Formats	MP4
Supported TF Card type	Support TF card with capacity up to 64GB (rate C10 or above)
Controllable range	90°up and down
Operating Temperature Range	32° to 104°F
Remote control	
Operating frequency	2.4 GHz
Range	500m
Operating conditions	0°C to 40°C
Charging time	About 1 hour
Package contents	
Aircraft	1
Remote control	1
USB charging cable	1
Clockwise/anticlockwise propellers	4/each
Instructions	1

2.2 Install the SYMA Pro app

Scan the QR code with your mobile device or download the app from your app store.



iOS



Android(Google play)



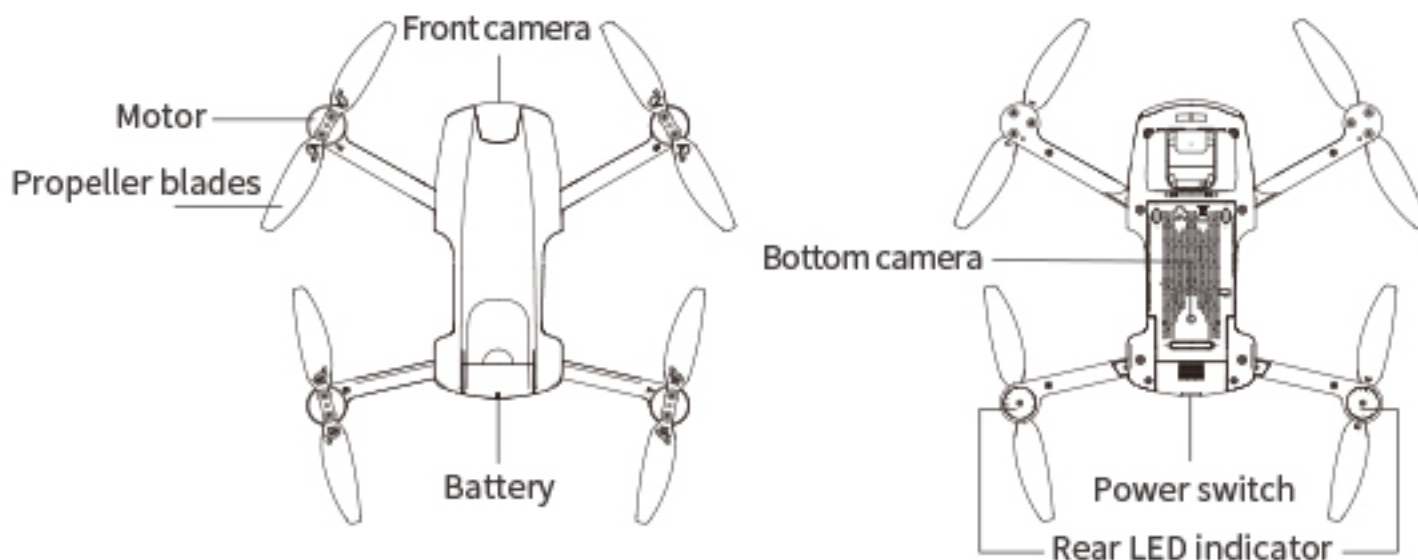
Android

Note:

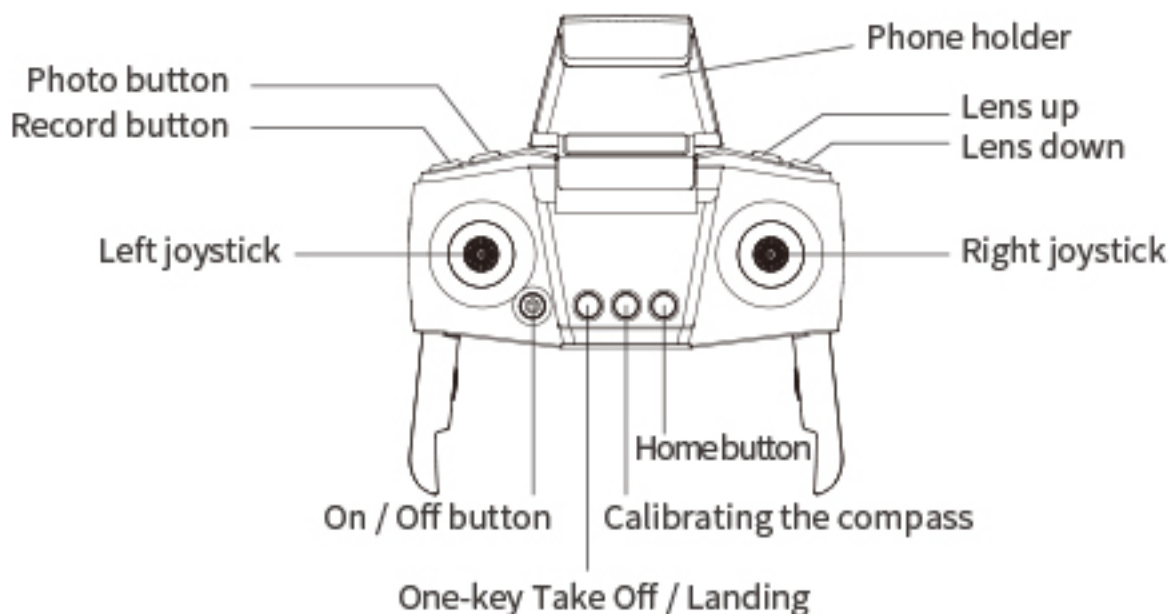
*For best results, use a device with iOS 8.0/Android 5.0 or later.

EN

2.3 Drone components



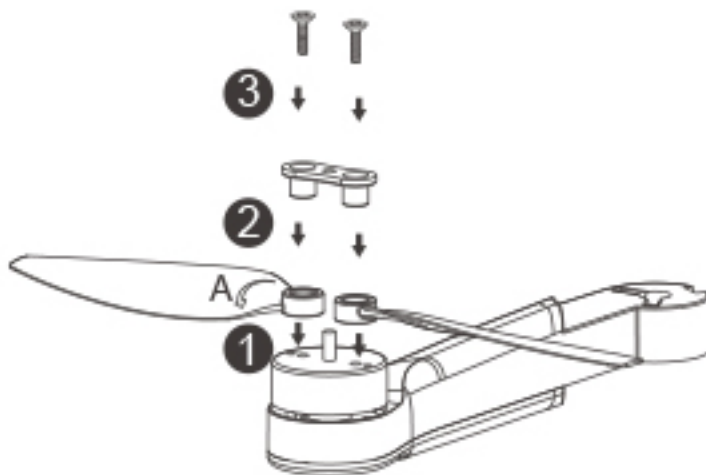
2.4 Remote control



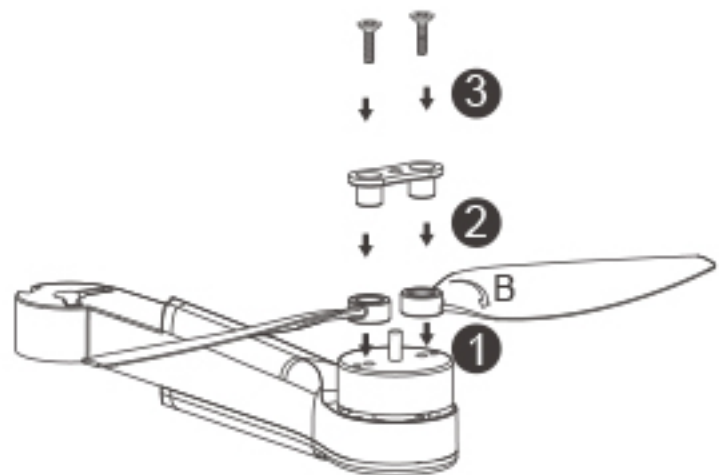
3.0 Assembling the product

3.1 Installing the propellers

Clockwise propellers



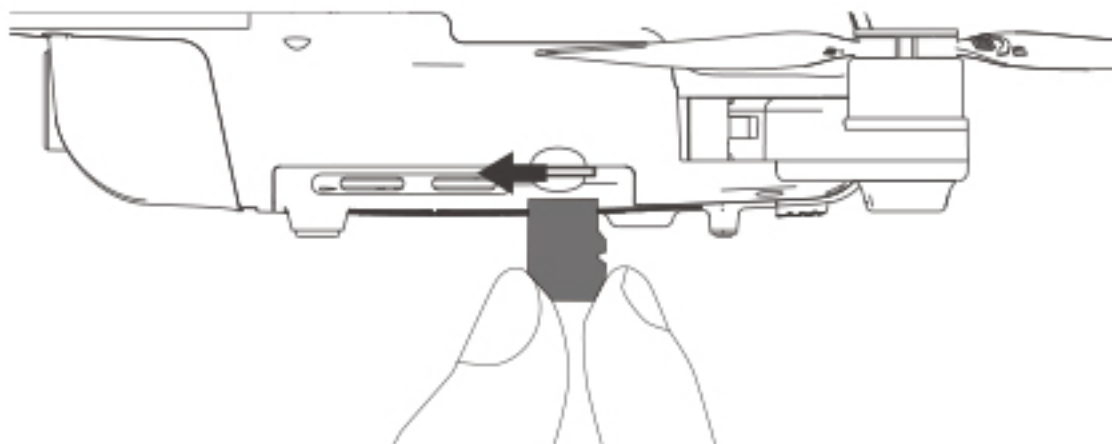
Anticlockwise propellers



Note:

- *Attach the propellers as shown in the diagrams above. Ensure that they are attached in the correct orientation.
- *Ensure that the clockwise and anticlockwise propellers are attached to the correct arms. The aircraft will not fly correctly if the propellers are attached in the wrong position.
- *The propellers are made from a delicate material. Pay attention when attaching them to the aircraft.
- *Only use propellers that are supplied by the manufacturer.
- *The propellers are consumable parts. If necessary, purchase replacements from the manufacturer.

3.2 Inserting a memory card (optional accessory)

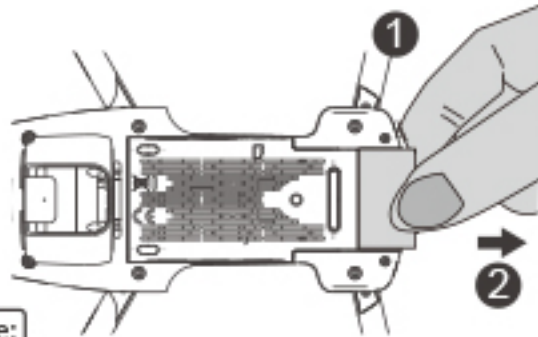


Note:

- * The memory card speed should reach C10 or above.
- * NTFS format is not applicable.

3.3 Charging the drone battery

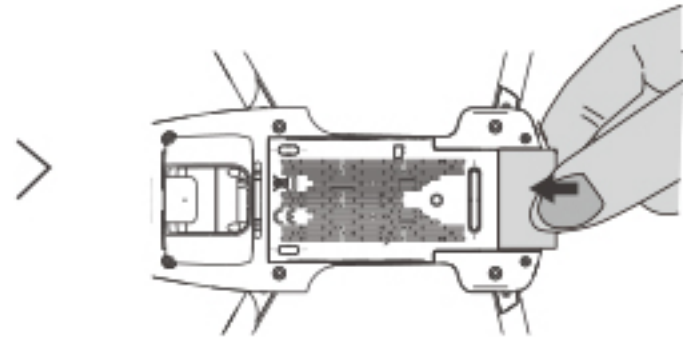
Remove the battery



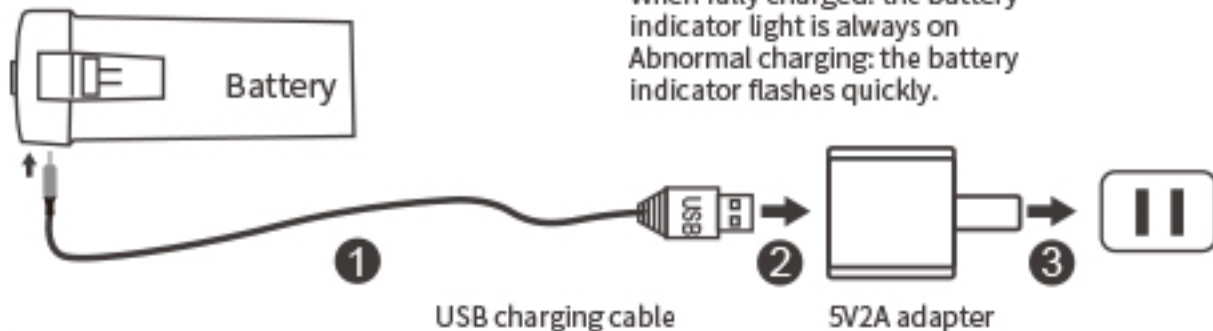
Note:

*Ensure that the battery holder clicks into place.


Insert the battery



Charge the battery



Note:

- *This toy is only to be connected to equipment bearing either of the following symbols: 
- *Charge the drone with the USB charging cable that came with the product.
- *The battery will take longer to charge when you use an adapter with a smaller rated current.

Note:

- *Do not short circuit or compress the battery, as this may cause an explosion.
- *Do not disassemble the battery or store it in a hot environment.
- *If you do not plan to use the drone for at least 10 days, discharge the battery to 40%-50%.
- *Rechargeable batteries should only be charged under the supervision of adults, and keep away from flammable materials.
- *Caution: Risk of explosion if battery is replaced with incorrect ones, please install the batteries according to the instructions.
- *Failure to follow all the instructions may result in serious injury, irreparable damage to the battery and may cause a fire, smoke or explosion.
- *Always check the battery's condition before charging or using it.
- *Replace the battery if it has been dropped, or in case of odor, overheating, discoloration, deformation or leakage.
- *Use only the supplied charging cable.
- *The battery temperature must never exceed 60°C (140°F) otherwise the battery could be damaged or ignite.
- *Never charge on a flammable surface, near flammable products or inside a vehicle (preferably place the battery in an on-flammable and nonconductive container).

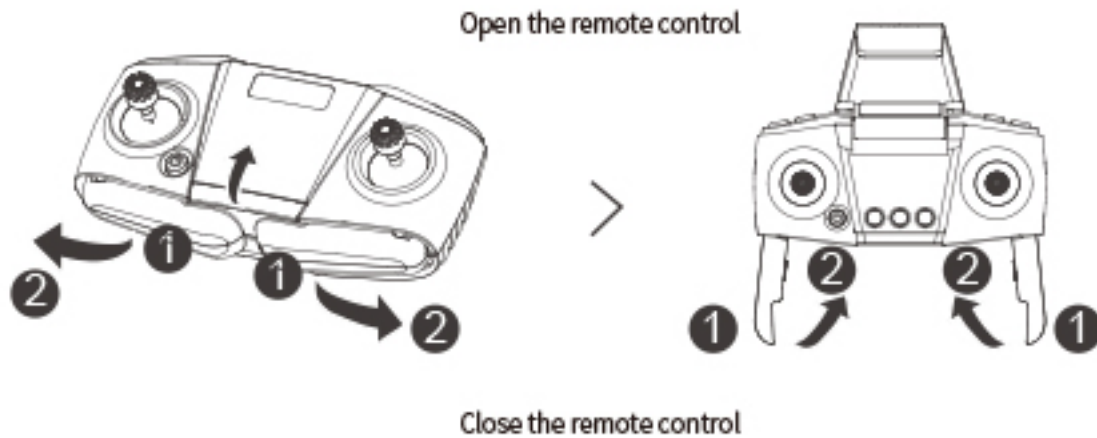
UK
CA

CE

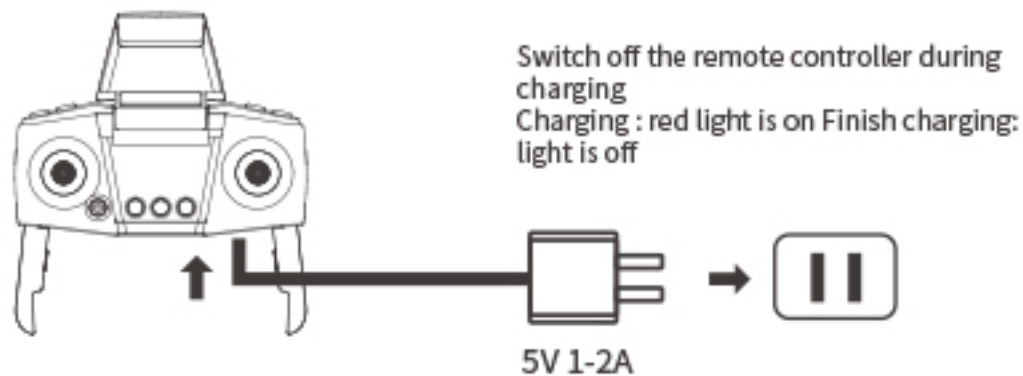


3.4 Instruction of remote control

Charging the remote control



Inserting the remote control batteries



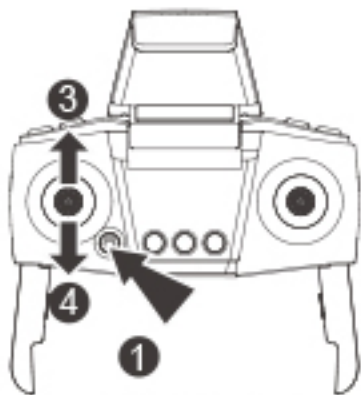
Note:

- *When installing the batteries, ensure that you match the + and - ends of the battery with the + and - signs on the controller.
- *Please do not use new and old batteries or different types of batteries together.
- *During the battery installation, it must be ensured that the polarities of the batteries are matched with that of the battery box. No battery shall be installed with the opposite polarity.
- *Please do not use different types of batteries together.
- *Maximum radio-frequency power transmitted < 10 dBm. Frequency range: 2409-2475MHz

4.0 Flight guide

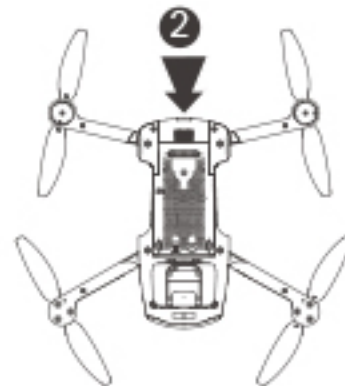
4.1 Flight preparation and turning the drone on/off

Pairing the remote control with the aircraft



Remote control indicator flashes rapidly

One press the power button, the indicator lights up. Lone press until the indicator light of battery level is full, the drone is turned on successfully .



Indicator stays constant when pairing is complete.

Note:

* When you switch on the remote control, the indicator will flash rapidly for approximately 20 secs to indicate that the remote control is waiting for a signal. The indicator will then flash slowly to indicate that pairing mode has been disabled.

* The drone needs to be switched on for **about 5 seconds** before it **starting** operation command.

Calibrate the compass



Press to calibrating the compass



Hold the drone horizontally and rotate 360 degrees for few time. Indicator flashes from slowly to rapidly.



Hold the drone vertically and rotate 360 degrees for few times. Indicator flashes from rapidly to constant.

Note:

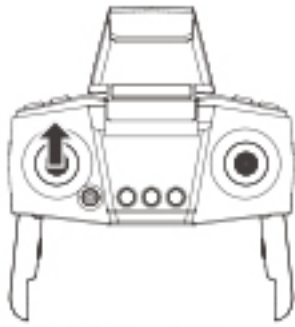
*Do not calibrate the compass near strong electromagnetic fields or large pieces of metal, e.g. magnetite, car parks or buildings with underground steel reinforcements.

*When holding the drone horizontally, the angle of inclination must not exceed 30 degrees.

Searching for satellites (No need to search for satellites for indoor flight)

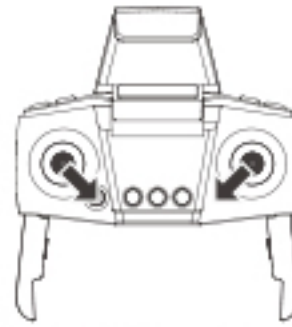
The rear indicator will change from orange to green when the drone has locked on to a satellite and recorded the take-off location. The drone is now ready to fly.

Turning the drone on



Move the left joystick upwards

or



Push the left and right joysticks downwards in a V shape for 1 second.

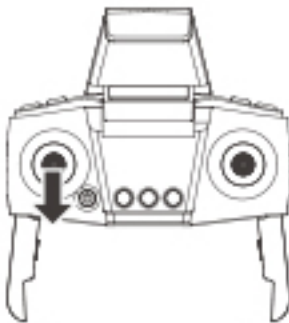
Note:

*It takes about a minute to search for satellites for the first time. If you cannot search for satellites for a long time, please re-calibrate the compass or move to an open environment.

* Please make sure that the drone takes off in an open area and in GPS mode before taking off.

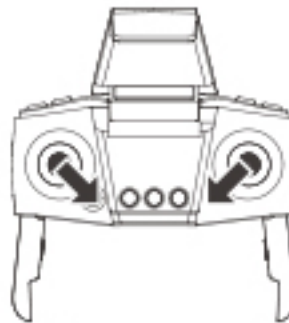
*When the drone is in flight, the green indicator light flashes quickly to indicate that the satellite signal is poor. Please manually control the return home and search for the satellite again.

Turning the drone off



Method one

Push the left joystick downwards for 2-3 seconds.



Method two

Push the left and right joysticks downwards in a V shape for 2 seconds.



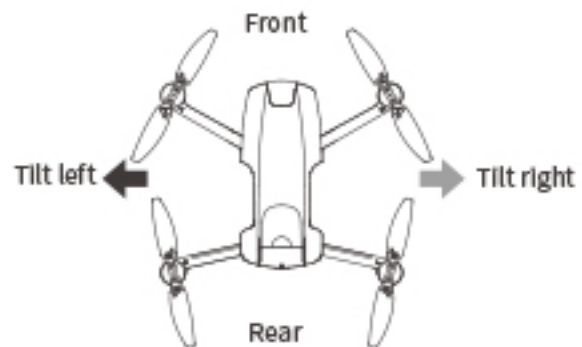
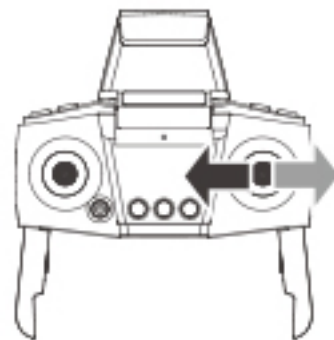
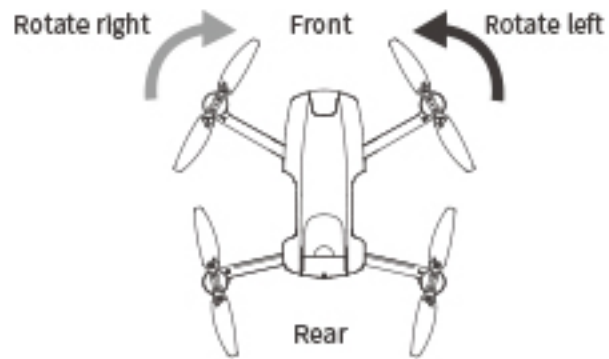
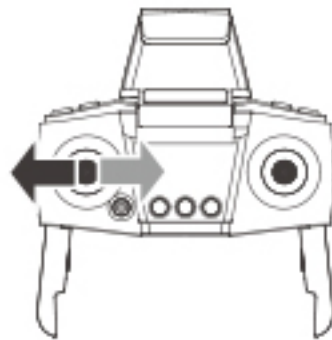
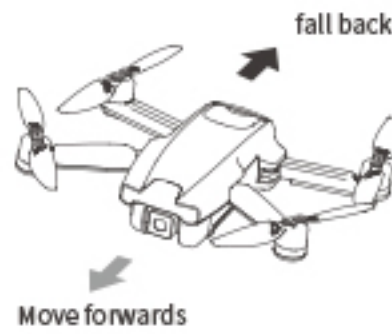
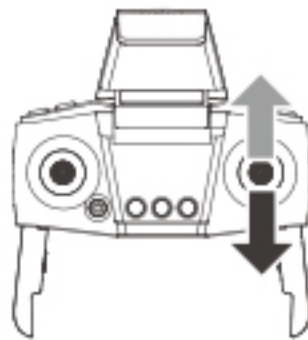
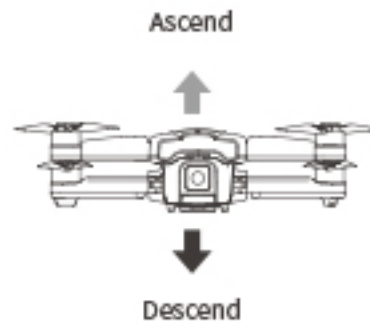
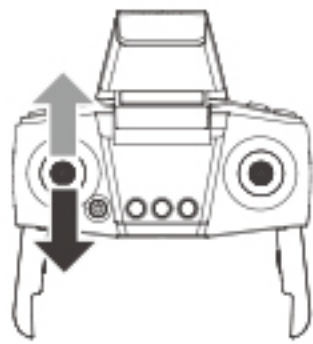
Method three

Press the one-key landing button, and the drone will automatically land on the ground and shut down.

Note:

* When the drone is tilted more than 90 degrees, the drone will shut itself down.

4.2 The method of Remote control flight controlling



4.3 Flight modes

Optical flow positioning



Front indicator is constant white, rear indicator is constant yellow.

Note:

*When the indicator light becomes red and steady, it indicates that the optical flow signal is poor and the point cannot be fixed.

*Performance may be impaired in dark surroundings, areas with reflective surfaces (e.g. water), or at altitudes of more than 6 m.

*Optical flow positioning only supports altitudes of less than 6 m.

GPS mode



Front indicator is constant white,
rear indicator is constant green.

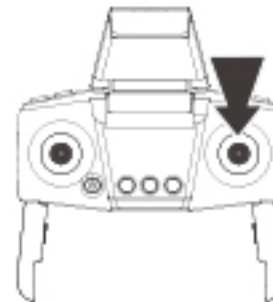
Note:

*When the battery level is normal, the drone can fly to a distance of 500 m at a maximum altitude of 100 m.

*When the battery level is low, the drone can fly to a distance of 20 m at a maximum altitude of 20 m.

*If the rear indicator starts to flash rapidly, this indicates that the GPS signal is weak and the drone cannot determine its position.

*GPS mode cannot be used indoors.



Headless mode



The indicator on the drone will flash once every 4 seconds.

1. Configuring the forwards direction

When you switch on the drone for the first time, the direction in which the front side of the drone is pointing will be set as the forwards direction.

2. Enabling headless mode

① After pairing the remote control with the drone, hold down the right joystick for approximately 3 seconds. The remote control will beep 8 times to indicate that headless mode is enabled. To disable headless mode, hold down the right joystick again for approximately 3 seconds.

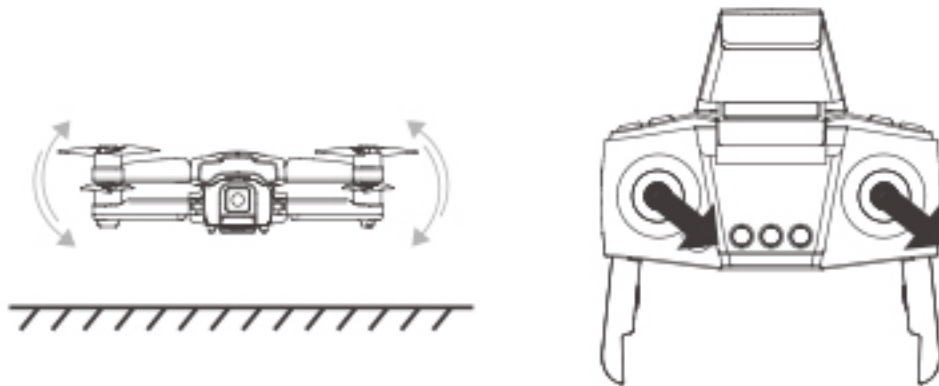
② In headless mode, you do not need to determine the drone's orientation. You can move the joysticks on the remote control to make the drone move in the corresponding direction.

4.4 Flight control

Level calibration

Place the drone on a level surface and move the left and right joysticks to the lower right corner for approximately 3 seconds. The indicator will flash rapidly and then stay constant to indicate that the calibration process is complete.

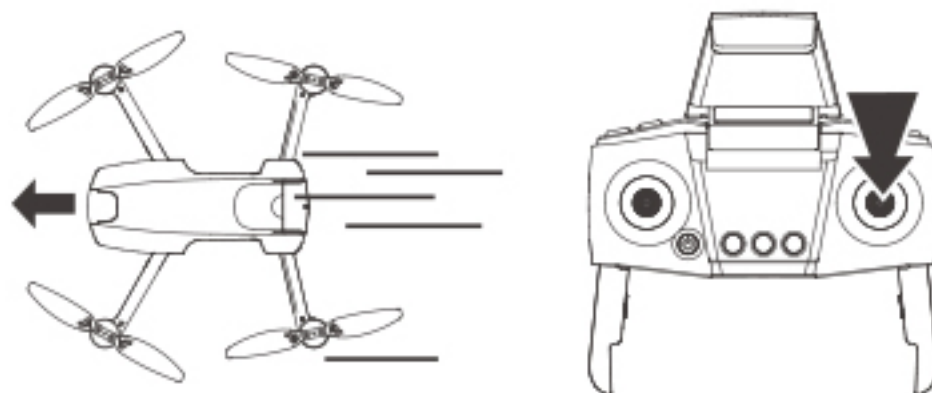
The drone cannot be calibrated if the angle of inclination is greater than 10 degrees.



High/low speed mode

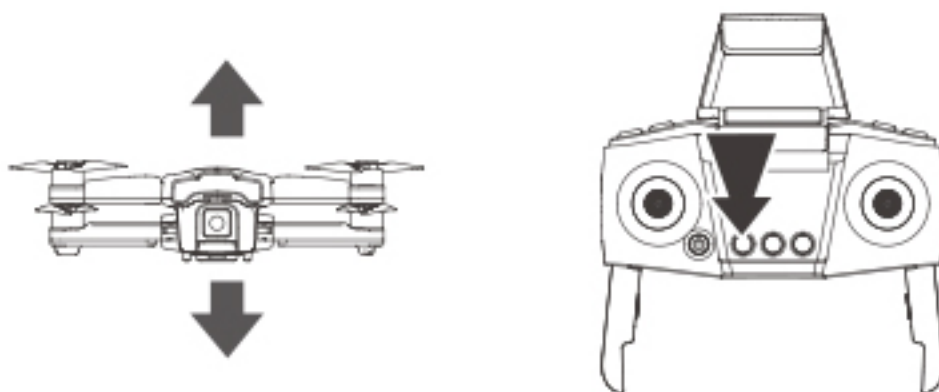
Briefly press the right joystick to switch between high and low speed mode.

1. Low speed mode is enabled by default when the drone is switched on.
2. The remote control beeps twice when high speed mode is enabled and once when low speed mode is enabled.



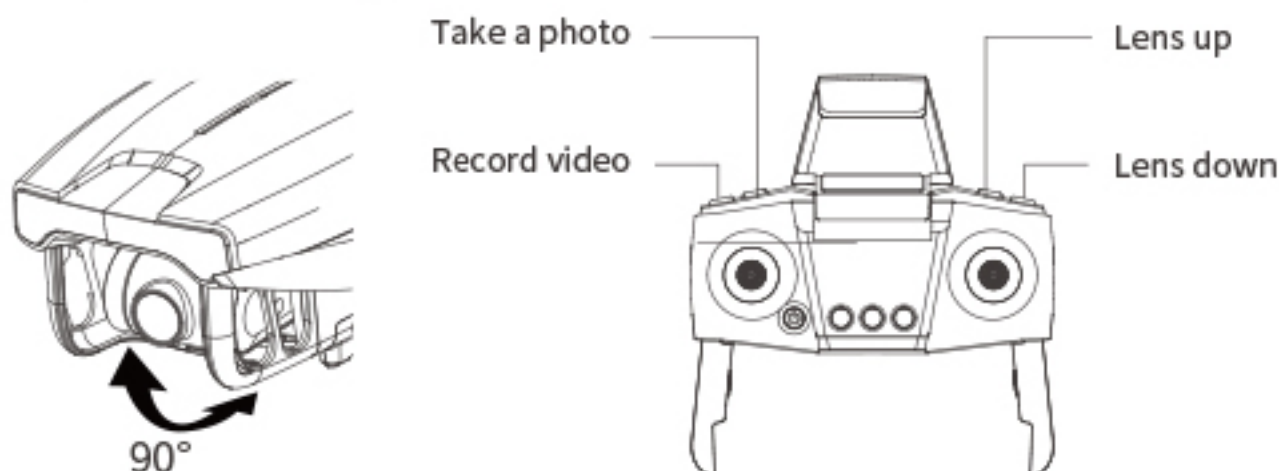
One - Key take-off/landing

1. When the drone is under standby mode, press; the take-off/landing button to make the drone take off automatically and hover at a height of 1.5 m.
2. When the drone is under active mode, it will automatically land on ground if you press the one-key landing



Remote Control Camera, video function


1. Photo taking: press the photo button. The indicator on the drone will flash to indicate that a photo is taken.
2. Record video: Press the record button. The indicator on the drone will flash twice to indicate that recording is in progress. Press the record button again to end the recording. The indicator on the drone will turn on to indicate that recording is complete.
3. Photo taking or video recording with the remote control



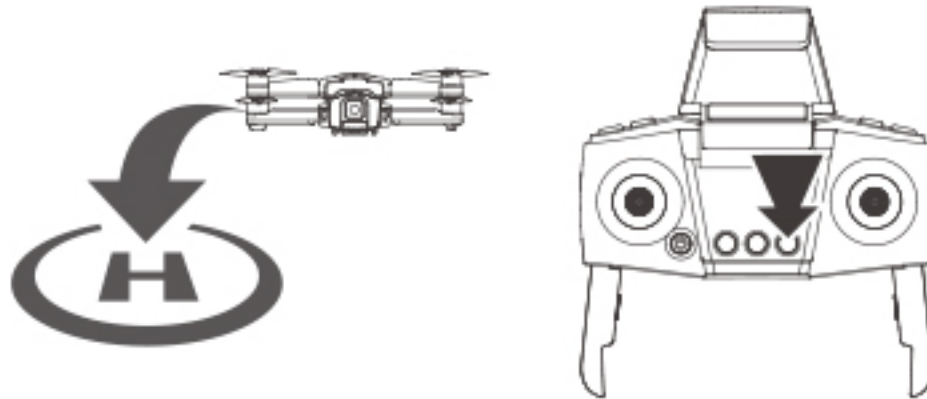
Note:

- *If there is no memory card in the drone, photos and video recordings will be saved to your phone.
- *If there is a memory card inserted in the drone, photos and video recordings will be saved to the memory card and your phone.
- *The photos and videos on the mobile phone can only be viewed after downloading.
- *The drone supports memory cards with a capacity of up to 64 GB.

Return to home function


In GPS mode (when the  indicator is constant), hold the return-to-home button and the drone will return to its take-off position automatically. During the return flight, you can use the joystick to control the drone ascend, descend and move left/right in order to avoid obstacles. To terminate the return flight, return-to-home button.

- If the drone is flying at an altitude less than 20 m, it will automatically ascend to an altitude of 20m before returning home.
- If the drone is flying at an altitude more than 20 m, it will return home at the same altitude.



Runaway Return

If the remote control signal is lost for more than 20 seconds, the drone will automatically return to the take-off position. If the signal is restored during the return flight, you can hold the return-to-home function to terminate the return flight.

- The drone cannot automatically avoid obstacles during the return flight.
- The automatic return to home function is not available when the GPS signal is weak (flashing  indicator).
- If the drone does not receive a GPS signal and lost contact with the remote control for more than 40 seconds, it will not be able to return to home but will land automatically.



Automatic return due to loss of signal

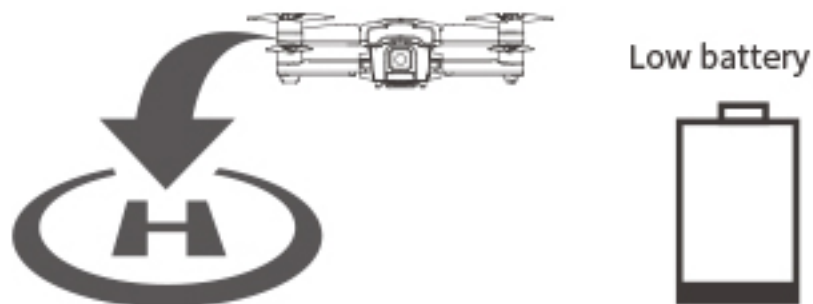


Automatic return due to low battery

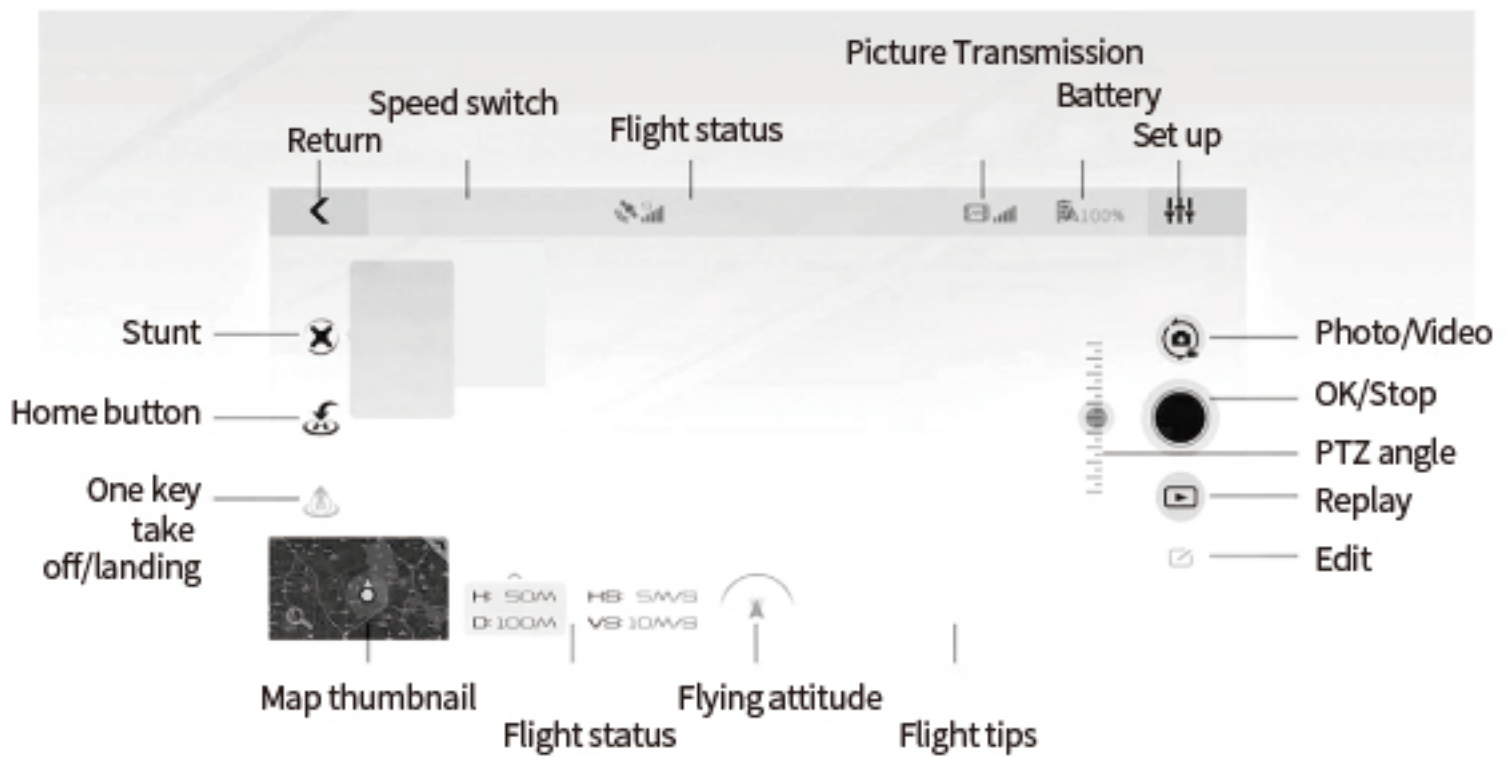
When the drone battery is low, the drone will automatically return to the take-off position. During the return flight, you can use the joystick to control the drone ascend, descend and move left/right in order to avoid obstacles.

- If the drone is further than 20 m from the landing position, the return flight cannot be terminated.
- If the drone is less than 20 m from the landing position, the return flight can be terminated.

Landing position: The initial Unlocked take-off place position.



4.5 Smart app features



- Before using the smart app features, watch the video tutorial in the SYMA Pro
- Ensure that you pre-configure the flight altitude and distance in the SYMA Pro app.

5.0 Drone status and maintenance

5.1 Understanding the drone LED indicators

No.	Indicator status	Meaning
1	The rear yellow LED is always on	Optical flow positioning
2	The rear green LED keeps on	GPS mode
3	The rear LED Flashes once every 4 s	Headless mode
4	The rear LED flashes twice and then stops for 1.5S	Recording in progress
5	The rear LED flashes quickly	Pairing or level calibration in progress
6	The rear LED Flashes twice in 1 s	Low battery
7	The rear LED Flashes once in 1 s	Signal lost
8	The rear LED flashes slowly	GPS fault
9	The rear LED flashes quickly	Poor GPS reception
10	The rear is steady red	non-optical flow positioning

5.2 Troubleshooting

Problem	Cause	Solution
The drone does not respond	<ol style="list-style-type: none"> 1. Undervoltage protection was enabled. 2. The remote control battery level is low and the power indicator is flashing. 	<ol style="list-style-type: none"> 1. Charge the drone battery. 2. Change the batteries in the remote control.
The aircraft cannot be positioned in GPS mode	<ol style="list-style-type: none"> 1. Geomagnetic deviation 2. Poor GPS signal 3. The environment is small or there are many obstacles 	<ol style="list-style-type: none"> 1. Recalibrate the compass 2. Re-search for satellites 3. Change to an open environment
The drone drifts to one side whilst hovering.	The drone is not calibrated level to the ground.	Calibrate the drone.
Image transmission stuck	<ol style="list-style-type: none"> 1. Environmental interference 2. Low phone configuration or small cache 	<ol style="list-style-type: none"> 1. Change to an open environment 2. Update your phone or clear cache
The drone does not hover properly/the drone keeps moving up and down.	<ol style="list-style-type: none"> 1. The drone is not calibrated level to the ground. 2. The air pressure is unstable due to poor weather conditions. 3. A violent collision corrupted the gyroscope' s data. 	<ol style="list-style-type: none"> 1. Calibrate the drone. 2. Avoid flying in poor weather. 3. Calibrate the drone.

Contact Us

Please do not hesitate to contact us if you need more further support.

✉ warranty@symatoys.com.cn
 ☎ +1 718-312-0558(US) +44 (0)7723708421(UK) +4933545519201(DE)

📱 For online support, please scan this code with facebook messenger



6.0 Accessories (available separately)

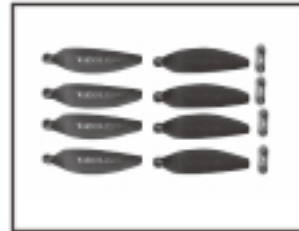
The following section contains a list of optional accessories that are available to purchase. Accessories can be purchased from your local retailer. Please indicate your preferred colour when making your purchase.



Drone body



Arm



Propel blade



webcam



Light cover



Motor



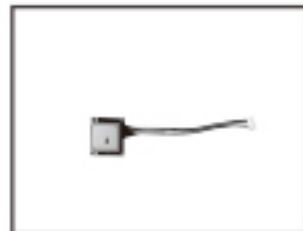
Feet



Protective cover



Arm accessories



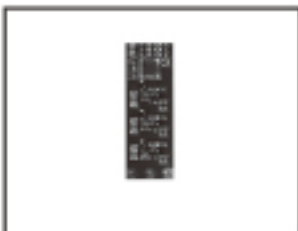
GPS module



Receiver board



Camera circuit board



PCB



Battery



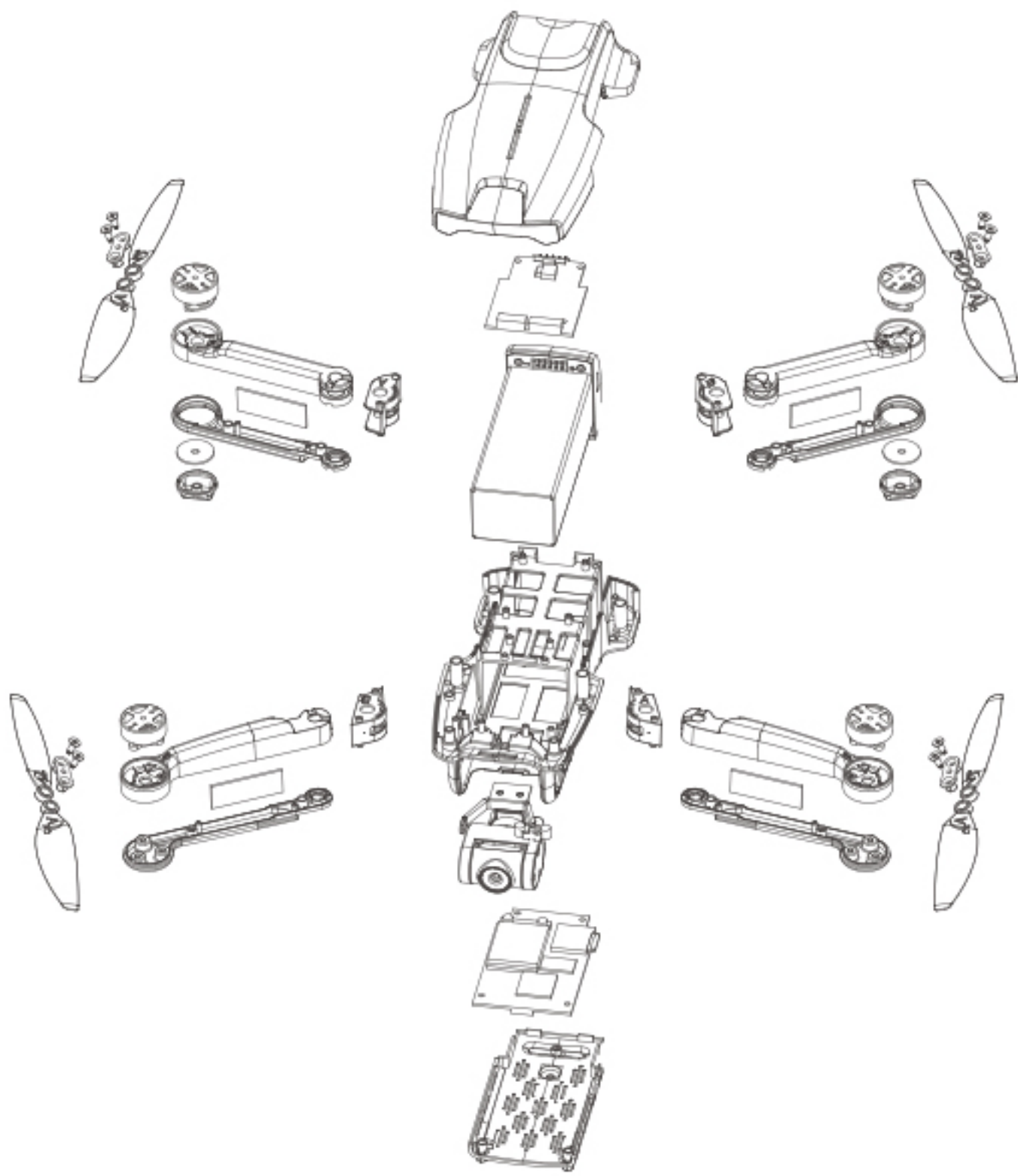
Charging cable



Optical flow plate



Remote control



Warning: Changes or modifications to this unit not expressly approved by the party responsible for compliance could void the user's authority to operate the equipment.

NOTE: This equipment has been tested and found to comply with the limits for a Class B digital device, pursuant to Part 15 of the FCC Rules. These limits are designed to provide reasonable protection against harmful interference in a residential installation. This equipment generates, uses and can radiate radio frequency energy and, if not installed and used in accordance with the instructions, may cause harmful interference to radio communications. However, there is no guarantee that interference will not occur in a particular installation. If this equipment does cause harmful interference to radio or television reception, which can be determined by turning the equipment off and on, the user is encouraged to try to correct the interference by one or more of the following measures:

- Reorient or relocate the receiving antenna.
- Increase the separation between the equipment and receiver.
- Connect the equipment into an outlet on a circuit different from that to which the receiver is connected.
- Consult the dealer or an experienced radio/TV technician for help.

“This device complies with FCC radiation exposure limits set forth for general population (uncontrolled exposure). This device must not be collocated or operating in conjunction with any other antenna or transmitter.”

RF frequency band :2409-2475MHZ

Transmitter power : 10 dBm (Max.)

Product name: [DRONE]

Model number: [X650]

Brand name :SYMA

Hereby, [GUANGDONG SYMA MODEL AIRCRAFT INDUSTRIAL CO., LTD], declares that this [drone] is in compliance with Directive 2014/53/EU. The full test of the EU declaration of conformity is available at the following internet address: <http://www.symatoys.com/download-declaration-of-conformity.html>



WARRANTY:

LIMITED 2-YEAR WARRANTY AND FREE LIMITED REPLACEMENT PARTS FOR 2-YEARS
Symatoys.com.cn warrants to the original buyer only that its products will be free from defects in material and workmanship for 2 years from the date upon which the product is shipped, either directly from symatoys.com.cn or from an Authorized Re-seller's location, to the buyer.

The following condition's must to be eligible for warranty coverage:

1. During the warranty period product is used as intended by the manufacturer.
2. The Product has not been disassembled or modified.
3. The labels and serial numbers show no signs of tampering or altering.
4. Buyer has a warranty code obtained by registering their product online prior to making a claim.

EXCEPTIONS: THE LIMITED WARRANTY SHALL NOT APPLY TO:

- Damage caused by normal wear and tear
- Accident, negligence, abuse, misuse, misapplication or willful damage by buyer (or its agents), or acts of nature
- Crash or burning caused by non-manufacturing factors
- Damage caused by authorized modification or disassembly not authorized by the instruction manual
- Damage. caused by incorrect use or operation
- Damage caused by mismatch or misuse of battery or charger
- Failure of the operator to follow the operating instruction or use outside the products operating parameters
- Damage caused by operating the product in or around electromagnetic interference (i.e., radio transmitting tower, high-voltage wire, substation, etc.)
- Damage caused by operating the product where there may be interference caused by other wireless devices
- Operating the product with load capacity in excess of the sale weight listed in the manual
- Operating the product with aged, damaged or unauthenticated third-party components
- Operating the product with a defective battery

WARRANTY

PROCEDURE: Any claims for breach of the foregoing limited warranty shall only be valid if buyer makes such claim in writing within 2 year of the date of shipment of the product to which the claim. To make a warranty claim, please email warranty@symatoys.com.cn with your full name. address. phone number, order number. vehicle type. part type and purchase date and product issue.

LIMITED REMEDY:

Symatoys.com.cn's sole liability, and buyer's sole remedy for any breach of the foregoing warranty shall be at Symatoys.com.cn's option to exchange the product with a new product or a refurbished product that is functionally equivalent to the original product, or issue a credit or refund to the purchase price the product.

Any replaced products shall be warranted as set forth herein, provided that the period within which buyer may make further claims shall be limited to the remainder of the original period for the applicable product or 2 years, whichever is longer (although the warranty period shall be suspended during any period of replacement)

DISCLAIMER:**Haftungsausschluss:**

THE WARRANTY AND REMEDIES ARE EXCLUSIVE AND IN LIEU OF ALL OTHER WARRANTIES. AND SymatyoS.com.cn DISCLAIMS ALL OTHER WARRANTIES, EXPRESS OR IMPLIED, INCLUDING WITHOUT LIMITATION THE IMPLIED WARRANTIES OF MERCHANTABILITY AND FITNESS FOR A PARTICULAR PURPOSE, NON-INFRINGEMENT AND ANY WARRANTIES ARISING OUT OF COURSE OF DEALING, COURSE OF PERFORMANCE AND TRADE USAGE.

Symatoys.com.cn IS NOT RESPONSIBLE FOR DIRECT, SPECIAL, INCIDENTAL OR CONSEQUENTIAL DAMAGES RESULTING FROM ANY BREACH OF WARRANTY OR CONDITION, OR UNDER ANY OTHER LEGAL THEORY. INCLUDING BUT NOT LIMITED TO COSS OF USE; LOSS OF REVENUE; LOSS OF ACTUAL ANTICIPATED PROFITS (INCLUDING LOSS OF PROFITS ON CONTRACTS); LOSS OF THE USE OF MONEY, LOSS OF ANTICIPATED SAVINGS; LOSS OF BUSINESS COSS OF OPPORTUNITY; LOSS OF GOODWILL, LOSS OF EPUTATION; LOSS OF DAMAGE TO COMPROMISE OR CORRUPTION OF DATA; OR ANY INDIRECT OR CONSEQUENTIAL LOSS OR DAMAGE HOWSOEVER CAUSED INCLUDING THE REPLACEMENT OF EQUIPMENT AND PROPERTY. ANY COSTS OF RECOVERING OR REPRODUCING ANY DATA STORED IN OR USED WITH THE PRODUCT OR ANY FAILURE TO MAINTAIN THE CONFIDENTIALITY OF INFORMATION STORED THE PRODUCT.

Some states do not allow the exclusion or limitation of incidental or consequential damages. so the above limitation or exclusion may not apply to you. In addition, some states do not allow limitations on how long an implied warranty lasts. so the above limitation may not apply to you.

FREE REPLACEMENT PARTS FOR 2 YEARS: Symatoys.com.cn .com shall also make available any spare part needed for registered vehicles free of charge for 2 years from the date of purchase, with the exception of batteries, motors. circuit boards and transmitters. Shipping charges may apply Limit one part type request per registered vehicle (e.g., registrants are entitled to one extra set of batteries per registered vehicle). To request spare parts. please email warranty@symatoys.com with your warranty code, vehicle name/model, current shipping address, purchase date and part type

**GET YOUR WARRANTY CODE AT symatoys.com.cn/pages/warranty-signup
HAVE YOUR ORDER NUMBER AND/OR VEHICLE UPC READ**

British Representative:
CET PRODUCT SERVICE LTD.
Beacon House Stokenchurch Business Park,
Ibstone Rd, Stokenchurch
High Wycombe HP14 3FE UK
Tel: +447419325266
E-mail: info.cetservice@gmail.com

United States Representative:
Duvin Trade Inc 5800 Wood Sorrel Dr, Littleton, Co, 80123, United States
Phone: 718-312-0558
E-mail: amz@symatoys.com

Manufacturer:
Guangdong SYMA Model Aircraft Industrial Co., Ltd.
Address: No.2 West Xingye Rd, Laimei Industrial Area, Chenghai, Shantou, China
Postal Code: 515800

☎ +1 718-312-0558 (US) +44(0)7723708421 (UK) +49 335-4551-9201(DE)
✉ usa@symatoys.com(US) eu@symatoys.com(EU)
🌐 <http://www.symatoys.com>

The company has the right of
final interpretation of this user manual.

Katalog

1.0 Wichtige Erklärung und Sicherheitshinweise	26
2.0 Produktbeschreibung	27
2.1 Formate und Parameters	27
2.2 Herunterladung des SYMA Pro APP und die Lehrvideos	28
2.3 Komponenten der Luftfahrzeuge	28
2.4 Fernsteuerung	28
3.0 Zusammensetzung der Produkteinbauten und Benutzung	29
3.1 der Montagpropeller	29
3.2 Einstellung einer Speicherkarte(auswählen und kaufen)	29
3.3 Aufladung der Luftfahrzeugakkus	30
3.4 Anwendung der Fernsteuerung	31
4.0 Anleitung der Flug	32
4.1 Flugvorbereitung und Ausschaltung der Luftfahrzeuge	32
4.2 Die Verwendung der Fernsteuerung	33
4.3 Flugmodus	35
4.4 Bedienung und Steuerung des Flugs	37
4.5 Funktionen der Smart-App	41
5.0 Zusand,Überprüfung und Reparatur der Flugzeuge	42
5.1 Hinweise von der LED-Anzeigen der Flugzeuge	42
5.2 Prozesse von Überprüfung und Reparatur	42
6.0 Die Liste des Produktzubehör	43

1.0 Wichtige Erklärung und Sicherheitshinweise

Wir bedanken uns dafür, dass Sie sich für dieses SYMA-Produkt entschieden haben. Um leichter und angenehmer zu nutzen, lesen Sie bitte diese Anleitung vor der Nutzung sorgfältig durch. Gleichzeitig bewahren Sie diese Bedienungsanleitung gut auf, um die spätere Verweise auf Regulierung und Reparatur zu wenden.

Sicherheitsankündigung

1. Bitte halten die kleine Bestandteile von Flugzeugen Ihre Kinder fern.
2. Wiederaufladbare Batterien sind vor dem Aufladen aus dem Spielzeug zu entfernen.
3. Batterien sind mit der richtigen Polarität einzulegen.
4. Nichtwiederaufladbare Batterien dürfen nur unter Aufsicht von Erwachsenen geladen werden.
5. Nicht wiederaufladbare Batterien sollten nicht wieder aufgeladen werden; Batterien sollten mit der richtigen Polarität eingelegt werden; verschiedene Batterietypen, neue oder gebrauchte Batterien sollten nicht gemischt werden.
6. Schalten Sie die Drohne/den Sender aus und nehmen Sie die Batterien heraus, wenn sie/er nicht in Gebrauch ist.
7. Die Versorgungsklemmen dürfen nicht kurzgeschlossen werden.
8. Halten Sie sich von den rotierenden Klingen fern (rotierende Klingen können Körperverletzungen oder Sachschäden verursachen).
9. Achtung: Bitte bauen Sie die Drohne unter der Anleitung von Erwachsenen zusammen.
10. Schauen Sie nicht direkt in die LED-Leuchten der Drohne, da diese Ihre Augen schädigen können.
11. Erschöpfte Batterien sind aus dem Flugzeug zu entfernen.
12. Bitte bewahren Sie das kleinere Drohnenzubehör an Orten auf, die für Kinder unerreichbar sind.
13. Diese Drohne ist sehr leistungsstark. Bei allen Erstflügen muss der linke Joystick langsam nach oben gedrückt werden, um den zu schnellen Aufstieg der Drohne zu verhindern. Damit werden unnötige Kollisionen, mögliche Schäden und Verletzungen vermieden.
14. Wenn der Flug endet, schalten Sie zuerst die Fernsteuerung und dann den Strom der Drohne aus.
15. Schützen Sie die Batterien vor hohen Temperaturen und Hitze.
16. Bitte halten Sie einen Sicherheitsabstand zu den sich drehenden Propellern, um Verletzungen zu vermeiden.
17. Um die Anforderungen an die elektromagnetische Umgebung des Flugfunks (der Station) zu gewährleisten, ist die Verwendung von Fernbedienungen in der Zone verboten, die in einem Radius von ca. 5000 m vom Kreiszentrum der Flughafenlandebahn liegt. Alle Benutzer sollten sich auch an die von den Regierungs- und Aufsichtsbehörden festgelegten Vorschriften für den Funkverkehr halten, einschließlich der Dauer und des Bereichs.
18. Achten Sie darauf, dass die Drohne beim Flug einen Abstand von 2-3 Metern zum Benutzer oder anderen Personen einhalten sollte, um den Unfall zu vermeiden, dass die Drohne beim Landen den Kopf, das Gesicht oder den Körper einer anderen Person schlägt.
19. Achtung: Drohnenmontage unter Aufsicht von Erwachsenen.
20. Die Verpackung muss aufbewahrt werden, da sie wichtige Informationen enthält.

Reparatur und Wartung

1. Verwenden Sie zum Reinigen des Produkts ein sauberes und weiches Tuch.
2. Halten Sie das Produkt von Wärmequellen fern.
3. Vermeiden Sie, dieses Produkt zu wässern. Sonst führen die Feuchtigkeit zu Schäden an den elektronischen Bestandteilen der Flugzeuge.
4. Propeller, Motor, Batterie sollen regelmäßig überprüft werden. Wenn Sie die Beschädigung entdecken, bitte sofort nicht zu nutzen, bis sie völlig repariert werden.

2.0 Produktbeschreibung

2.1 Das Format und der Parameter

Fluggerät	
Das Format und der Parameterz	ca.244g
Flugzeuggröße(L×B×H)	290x260x55mm
Max.Flugentfernung	500m
Max. Flughöhe	100m
Max. Entfernung der Videoübertragung	500m
Betriebstemperatur	0 °C bis 40 °C
Video-Übertragungsfrequenz	5 G
Motor	1503 bürstenloser Motor
Batterie	7,6 V 2100 mAh
Ladezeit von Batterie	Ca. 220 Minuten
Max. Flugzeit	26-28 Minuten
Kamera	
Betriebsfrequenz	5 GHz
Fotoauflösung	4096*2160P(auf der TF-Karte gespeichert) 2560*1440(auf dem Handy gespeichert)
Videoauflösung	2560*1440(auf dem Handy gespeichert)
Objektiv	FOV 110°
Übertragungsabstand	1640 feet/500m(draussen,ohne Hindernisse, störungsfrei)
Qualität der Liveübertragung	720p bei 25 FPS
Fotoformat	JPEG
Videoformat	MP4
Unterstützter Speicherkartentyp	Unterstützt TF-Speicherkarten bis zu 64 GB (Geschwindigkeit C10 oder höher)
Steuerbarer Bereich	-90°-90°
Betriebstemperatur	Steuerbarer Bereich
Fernsteuerung	
Betriebsfrequenz	2.4 GHz
Reichweite	500m
Betriebstemperatur	0 °C bis 40 °C
Ladezeit von Batterie	Ca. 60 Minuten
Lieferumfang	
Flugzeug	1
Fernsteuerung	1
USB-Ladekabel	2
Vor- und Nachseite des Propeller	Jeder vier Stück
Handbücher	1

2.2 Installieren der SYMA Pro App

Scannen Sie den QR-Code mit Ihrem mobilen Gerät oder laden Sie die App aus Ihrem App-Store herunter.



iOS



Android(Google play)



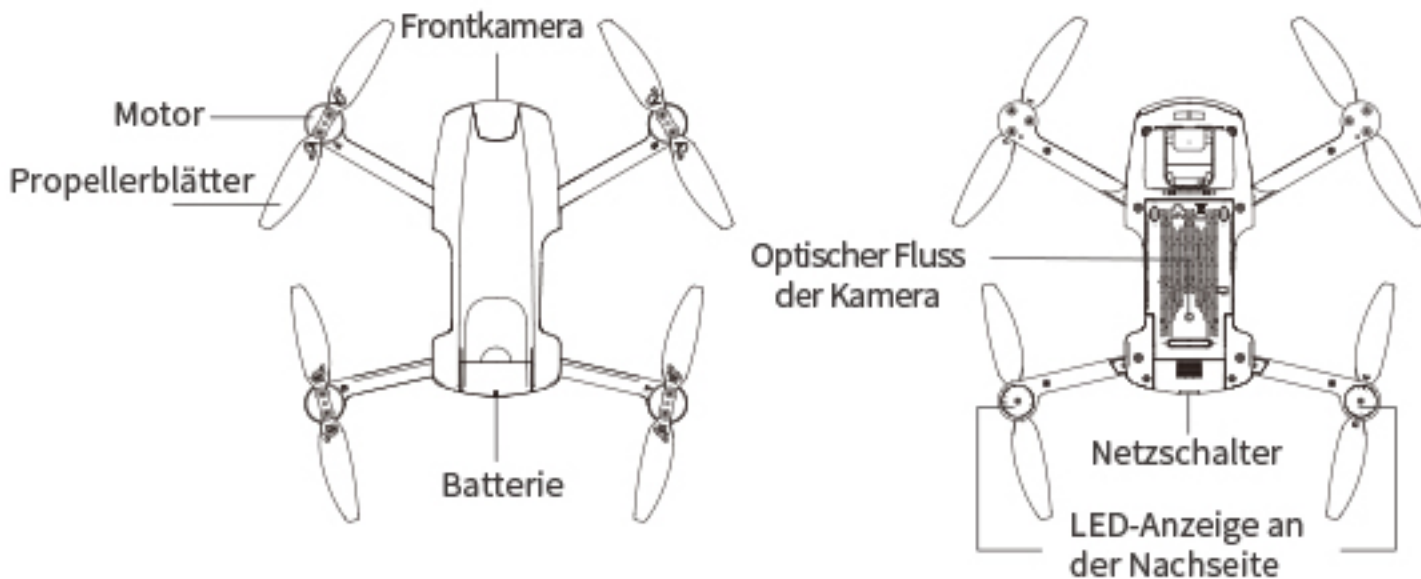
Android

Note:

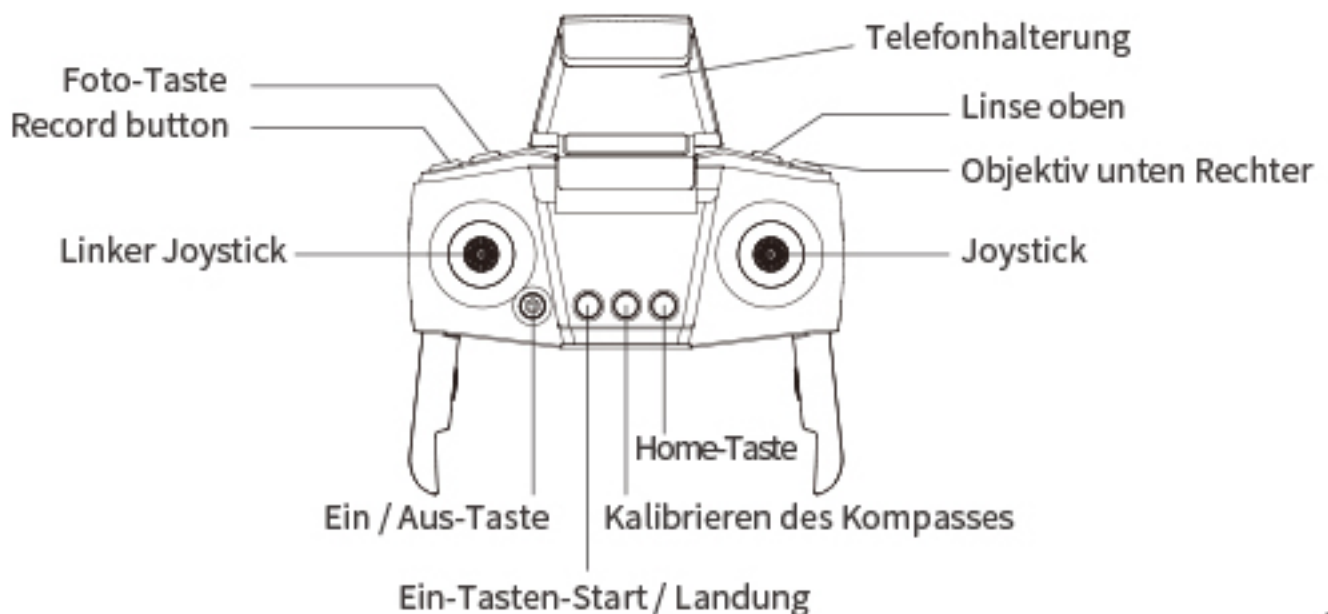
*Hinweis: Für beste Ergebnisse verwenden Sie ein Gerät mit iOS 8.0/Android 5.0 oder höher.

2.3 Komponenten für Flugzeuge

DE



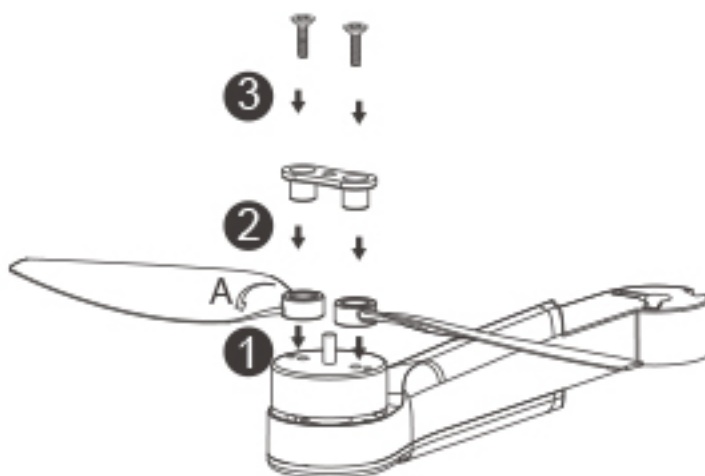
2.4 Fernsteuerung



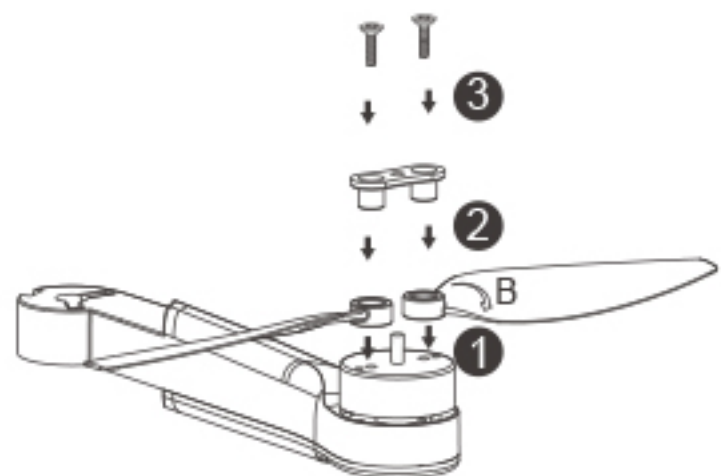
3.0 Zusammensetzung der Produkteinbauten und Benutzung

3.1 Anbringung der Propeller

Rechtsdrehende Propeller



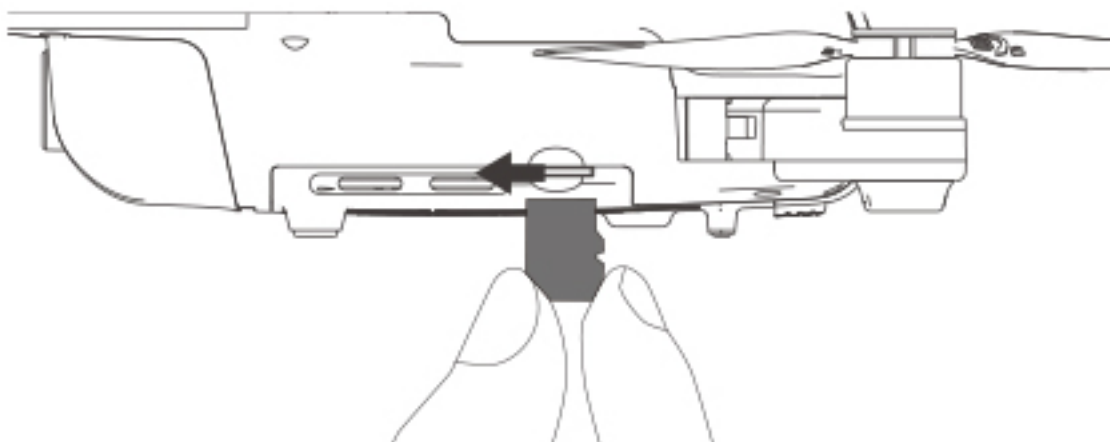
Propeller gegen den



Note:

- * Befestigen Sie die Propeller wie in den obigen Diagrammen gezeigt. Achten Sie darauf, dass sie in der richtigen Ausrichtung angebracht werden.
- * Stellen Sie sicher, dass die Propeller im und gegen den Uhrzeigersinn an den richtigen Armen angebracht werden. Das Flugzeug wird nicht richtig fliegen, wenn die Propeller in der falschen Position angebracht werden.
- * Die Propeller sind aus einem dünnen Material gefertigt. Seien Sie vorsichtig, wenn Sie sie am Fluggerät anbringen.
- * Die Fotos und Videos auf dem Handy können erst nach dem Download angesehen werden.
- * Verwenden Sie nur Propeller, die vom SYMA Hersteller geliefert werden.
- * Die Propeller sind Verschleißteile. Kaufen Sie bei Bedarf Ersatz beim SYMA Hersteller.

3.2 Einsetzen einer Speicherkarte (auswählen und kaufen)

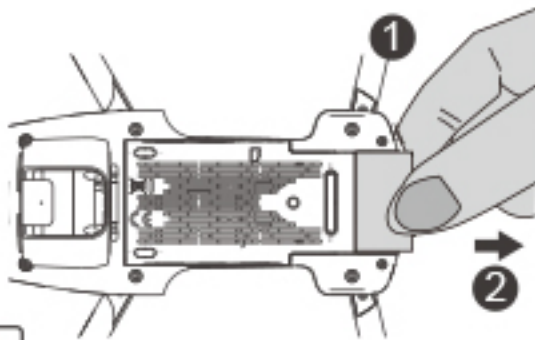


Note:

- * Die Geschwindigkeit der Speicherkarte sollte C10 oder höher erreichen.
- * Das NTFS-Format ist nicht anwendbar.

3.3 Aufladung der Luftfahrzeugakkus

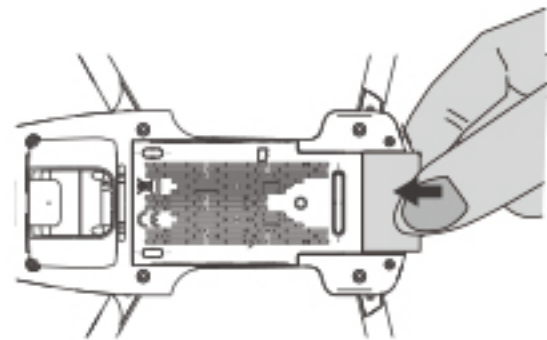
Entfernen Sie die Batterie



Note:

*Achten Sie darauf, dass der Batteriehalter einrastet.

Setzen Sie die Batterie ein



Laden Sie die Batterie ein



Beim Laden:

Die Batterieanzeige blinkt langsam.

Bei vollständiger Ladung der Batterie: Die Akku-Kontrollleuchte leuchtet immer.

Abnormales Laden: die Batterieanzeige blinkt schnell.



Note:

*Dieses Spielzeug darf nur an Geräte angeschlossen werden, die eines der folgenden Symbole tragen:

*Laden Sie die Drohne mit dem mitgelieferten USB-Ladekabel auf.

*Der Akku braucht länger zum Laden, wenn Sie einen Adapter mit einem kleineren Netzstrom verwenden.

Note:

*Schließen Sie den Akku nicht kurz und drücken Sie ihn nicht zusammen, da dies zu einer Explosion führen kann.

*Zerlegen Sie den Akku nicht und lagern Sie ihn nicht in einer heißen Umgebung.

*Wenn die Betriebe über 10 Tage lang nicht verwendet wird, entladen Sie den Akku auf 40-50 %, was hilft, die Lebensdauer der Batterie zu verlängern

*Wiederaufladbare Batterien sollten nur unter Aufsicht von Erwachsenen geladen und von brennbaren Materialien ferngehalten werden!

*Die Nichtbeachtung aller Anweisungen kann zu schweren Verletzungen, irreparablen Schäden an der Batterie und zu Feuer, Rauch oder Explosionen führen.

*Überprüfen Sie immer den Zustand der Batterie, bevor Sie sie aufladen oder benutzen.

*Tauschen Sie die Batterie aus, wenn sie heruntergefallen ist, oder wenn Geruch,

*Überhitzung, Verfärbung, Verformung oder Auslaufen auftritt.

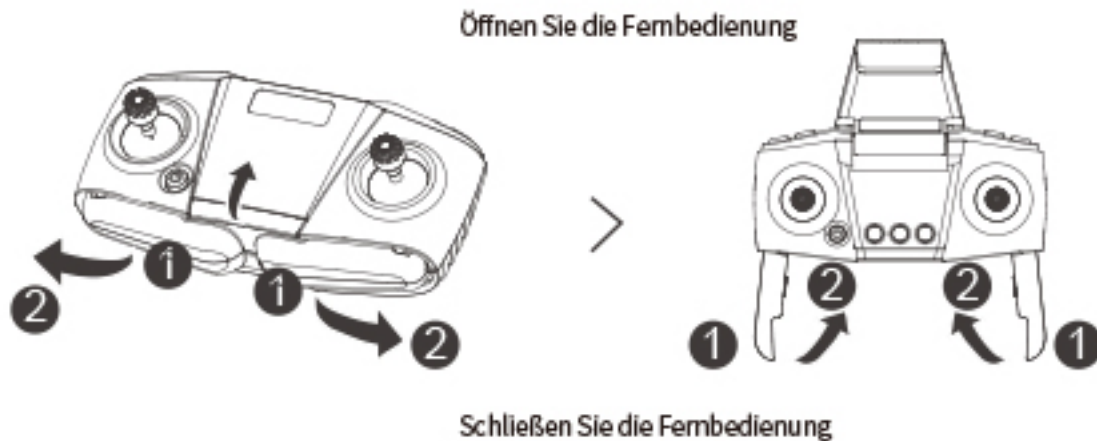
UK
CA

CE

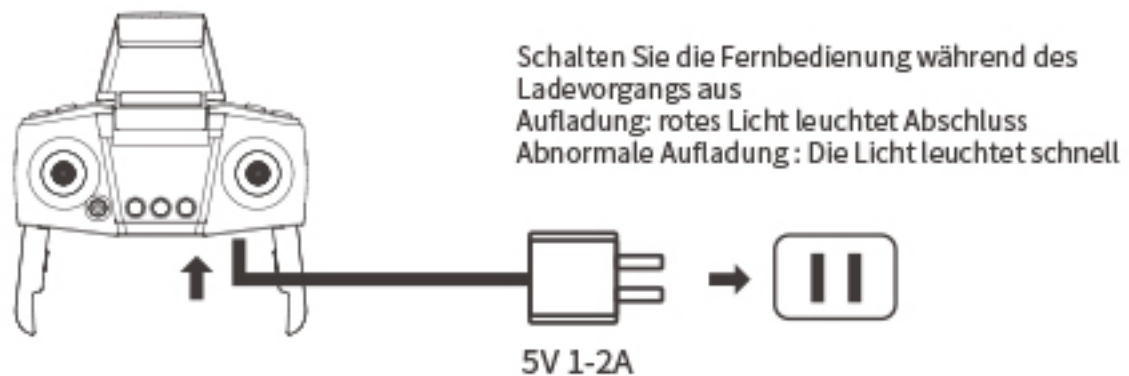


3.4 Anwendung der Fernsteuerung

Ladung der Fernsteuerung



Die Batterien der Fernbedienung einlegen



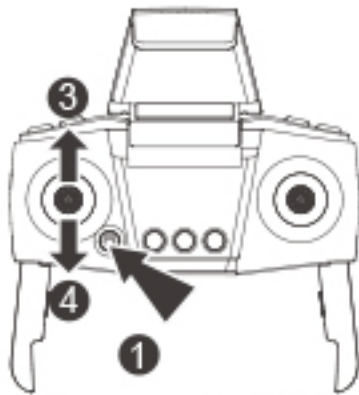
Note:

- *Achten Sie beim Einsetzen der Batterien darauf, dass die + und - Enden der Batterie mit den + und - Zeichen am Controller übereinstimmen.
- *Bei der Batterieinstallation muss darauf geachtet werden, dass die Polaritäten der Batterien mit denen der Batteriebox übereinstimmen. Es darf keine Batterie mit entgegengesetzter Polarität eingebaut werden.
- *Bitte verwenden Sie neue und alte Batterien nicht zusammen.
- *Bitte verwenden Sie keine unterschiedlichen Batterietypen zusammen.
- *Erschöpfte Batterien sind aus der Fernbedienung zu entfernen.
- *Maximale Hochfrequenzleistung übertragen < 10 dBm. Frequenzbereich:2409-2475MHZ

4.0 Anleitung der Flug

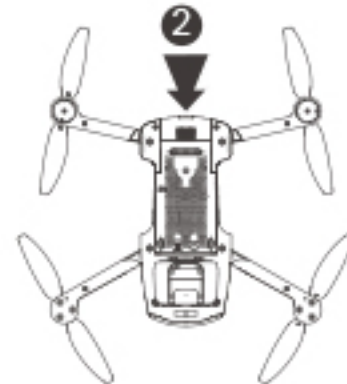
4.1 Flugvorbereitung und die Drohne ein/ausschalten

Die Fernbedienung mit dem Flugzeug paaren



Fernbedienungsanzeige blinkt schnell

Drücken Sie einmal den Einschaltknopf. die Anzeige leuchtet auf. Lerne drücken, bis das Anzeigelicht des Batteriestands voll ist, dann ist das Luftfahrzeug erfolgreich eingeschaltet.



Die Anzeige bleibt konstant, wenn die Kopplung abgeschlossen ist.

Note:

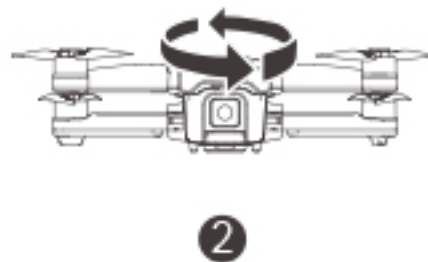
* Wenn Sie die Fernbedienung einschalten, blinkt die Anzeige ca. 20 Sekunden lang schnell, um anzuzeigen, dass die Fernbedienung auf ein Signal wartet. Danach blinkt die Anzeige langsam, um anzuzeigen, dass der Pairing-Modus deaktiviert wurde.

* Die Drohne muss für **ca. 5 Sekunden** eingeschaltet sein, bevor sie den **Betriebsbefehl startet**.

Den Kompass kalibrieren



1 Drücken Sie zum Kalibrieren des Kompasses



2 Halten Sie die Drohne horizontal und drehen Sie sie für einige Zeit um 360 Grad. Die Anzeige blinkt von langsam bis schnell.



3 Halten Sie die Drohne senkrecht und drehen Sie sie einige Male um 360 Grad. Die Anzeige blinkt von schnell bis konstant.

Note:

*Kalibrieren Sie den Kompass nicht in der Nähe von starken elektromagnetischen Feldern oder großen Metallstücken, z. B. Magnetit, Parkplätzen oder Gebäuden mit unterirdischen Stahlverstärkungen.

*Wenn Sie die Drohne horizontal halten, darf der Neigungswinkel 30° nicht überschreiten.

Suche nach Satelliten

Die hintere Anzeige wechselt von orange zu grün, wenn die Drohne einen Satelliten erfasst und die Startposition aufgezeichnet hat. Die Drohne ist nun bereit zum Fliegen.

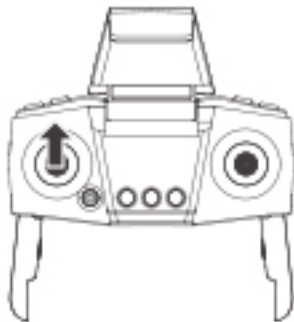
Note:

*Es dauert etwa eine Minute, bis die Satelliten zum ersten Mal gesucht werden. Wenn die Satelliten nicht gesucht werden können, kalibrieren Sie bitte den Kompass neu oder gehen Sie in eine offene Umgebung.

*Platzieren Sie die Drohne vor dem Start auf einem freien Platz abseits von Hindernissen und stellen Sie sicher, dass der GPS-Modus aktiviert ist.

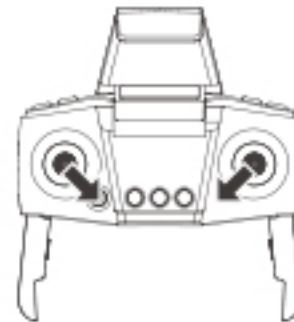
*Wenn die hintere grüne Anzeige schnell blinkt, bedeutet dies, dass das GPS-Signal schwach ist. Landen Sie in diesem Fall die Drohne manuell und starten Sie die Satellitensuche noch einmal.

Einschalten der Drohne



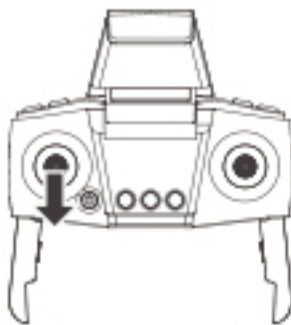
Bewegen Sie den linken Joystick nach oben

oder



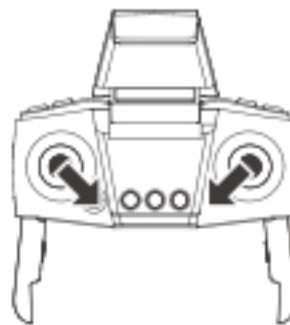
Drücken Sie den linken und rechten Joystick 1 Sekunde lang V-förmig nach unten.

Die Drohne ausschalten



Methode eins

Drücken Sie den linken Joystick für 2-3 Sekunden nach unten.



Methode zwei

Drücken Sie den linken und rechten Joystick 2 Sekunden lang V-förmig nach unten.



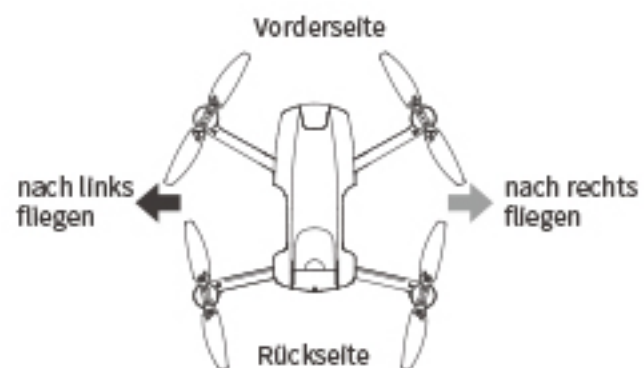
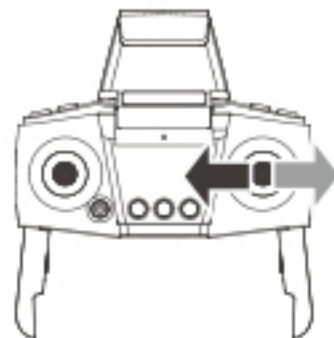
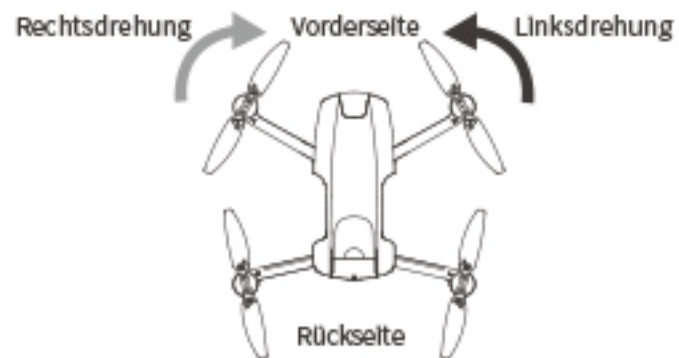
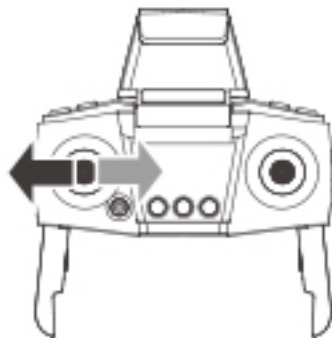
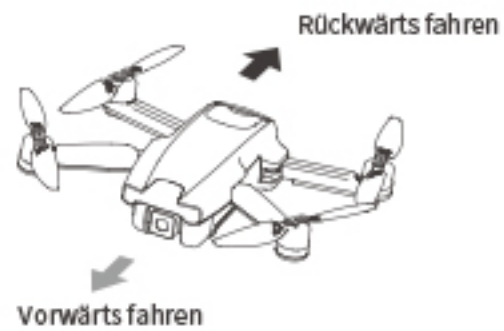
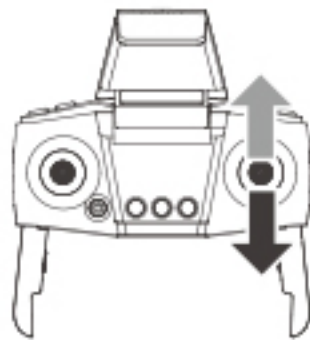
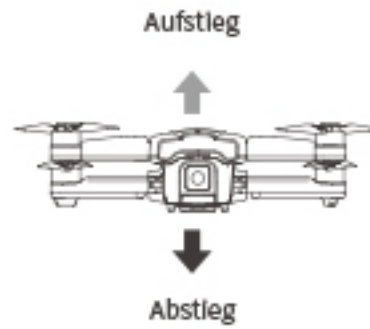
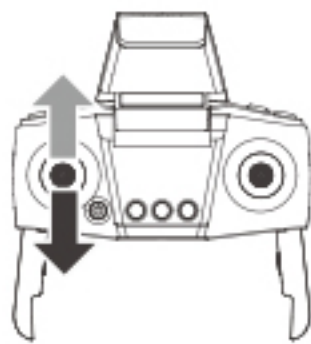
Methode drei

Drücken Sie die Start-/Landetaste, damit die Drohne automatisch landet und sich ausschaltet.

Note:

* Die Drohne schaltet sich automatisch ab, wenn seinen Neigungswinkel 90° überschreitet.

4.2 Die Verwendung der Fernsteuerung



4.3 Flugmodus

Optische Flusspositionierung



Vordere Anzeige ist konstant weiß, hintere Anzeige ist konstant gelb.

Note:

*Wenn die Anzeigeleuchte rot wird und konstant leuchtet, zeigt dies an, dass das optische Flusssignal schlecht ist und der Punkt nicht festgelegt werden kann.

*Die Wirkung der optischen Flusspositionierung kann in dunkler Umgebung, in Bereichen mit reflektierenden Oberflächen (z. B. Wasser oder in Höhen von mehr als 6 m beeinträchtigt nicht gut sein.

*Die optische Flusspositionierung unterstützt nur Höhen von weniger als 6 m.

GPS-Modus



Die vordere Anzeige ist konstant weiß,
die hintere Anzeige ist konstant grün.

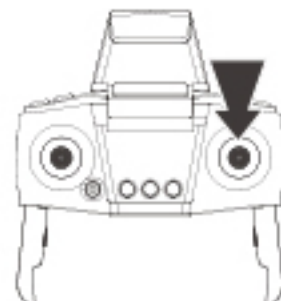
Note:

*Bei normalem Akkustand kann die Luftfahrzeug bis zu einer höchsten Entfernung von 500m und einer maximalen Höhe von 100m fliegen. bis zu einer Entfernung von 500 m bei einer maximalen Höhe von 100 m fliegen.

*Bei niedrigem Akkustand kann die Drohne bis zu einer Entfernung von 20 m und einer maximalen Höhe von 20 m fliegen.

*Wenn die hintere Anzeige schnell zu blinken beginnt, bedeutet dies, dass das GPS-Signal schwach ist und die Drohne ihre Position nicht bestimmen kann.

*Der GPS-Modus kann nicht in Innenräumen verwendet werden.



Headless-Modus



Die Anzeige an der Drohne blinkt einmal alle 4 Sekunden.

1. Die Vorwärtsrichtung konfigurieren

Wenn Sie die Drohne zum ersten Mal einschalten, wird die Richtung, in die die Vorderseite der Drohne zeigt, als nach vorn eingestellt.

2. Das Headless-Modus aktivieren

① Nachdem Sie die Fernbedienung mit der Drohne gekoppelt haben, halten Sie den rechten Joystick für ca. 3 Sekunden gedrückt. Die Fernbedienung piept 8 Mal, um anzuzeigen, dass der Headless-Modus aktiviert ist. Um den Headless-Modus zu deaktivieren, halten Sie den rechten Joystick erneut für ca. 3 Sekunden gedrückt.

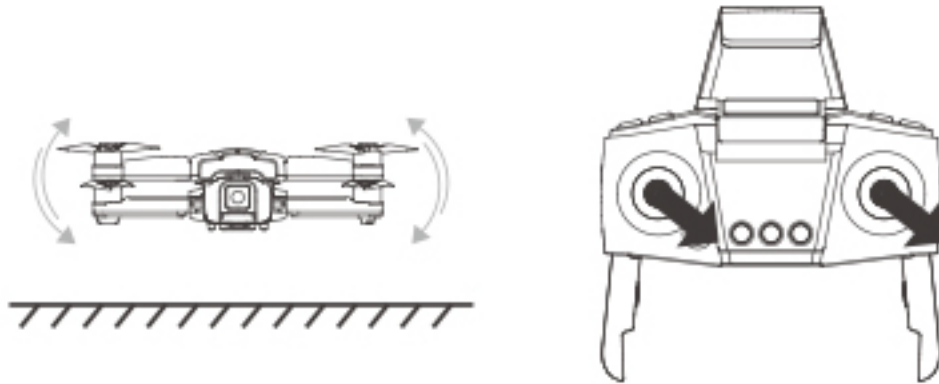
② Im Headless-Modus müssen Sie die Ausrichtung der Drohne nicht bestimmen. Sie können die Joysticks an der Fernbedienung bewegen, um das Luftfahrzeug in die entsprechende Richtung zu fliegen.

4.4 Bedienung und Steuerung des Flugs

Pegel-Kalibrierung

Stellen Sie die Drohne auf eine ebene Fläche und bewegen Sie den linken und rechten Joystick gleichzeitig etwa 3 Sekunden lang in die untere rechte Ecke. Die Anzeige blinkt schnell und bleibt dann konstant, um anzuzeigen, dass der Kalibrierungsvorgang abgeschlossen ist.

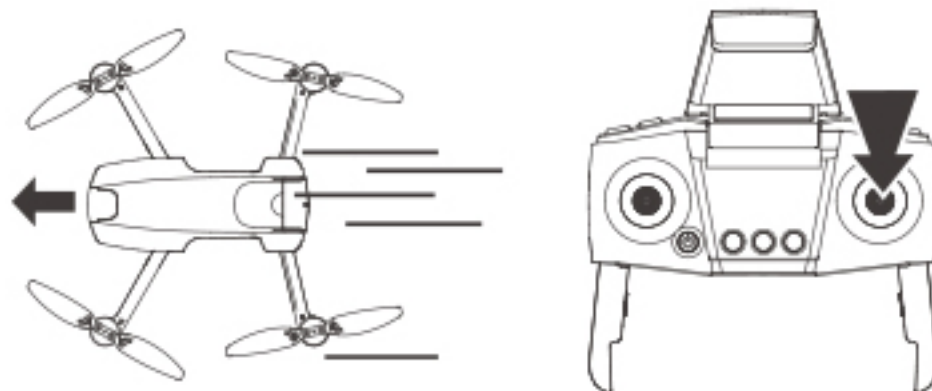
* Die Drohne kann nicht kalibriert werden, wenn der Neigungswinkel größer als 10 Grad ist.



Hoch- oder Niedriggeschwindigkeitsmodus

Drücken Sie kurz den rechten Joystick, um der Modus für hohe und niedrige Geschwindigkeit zu wechseln.

1. Der Low-Speed-Modus wird aktiviert durch Standard, wenn die Drohne eingeschaltet wird.
2. Die Fernbedienung piept zweimal, wenn der Hochgeschwindigkeitsmodus aktiviert ist, und einmal, wenn der Niedriggeschwindigkeitsmodus aktiviert ist.



Eins - Taste Start/Landung

1. Wenn sich die Drohne im Standby-Modus befindet, drücken Sie die Start-/Landetaste, dann hebt das Luftfahrzeug automatisch ab und schwebt in einer Höhe von 1,5 m schwebt.
2. Wenn sich die Drohne im aktiven Modus befindet, landet sie automatisch auf Boden, wenn Sie die Ein-Tasten-Landung drücken.

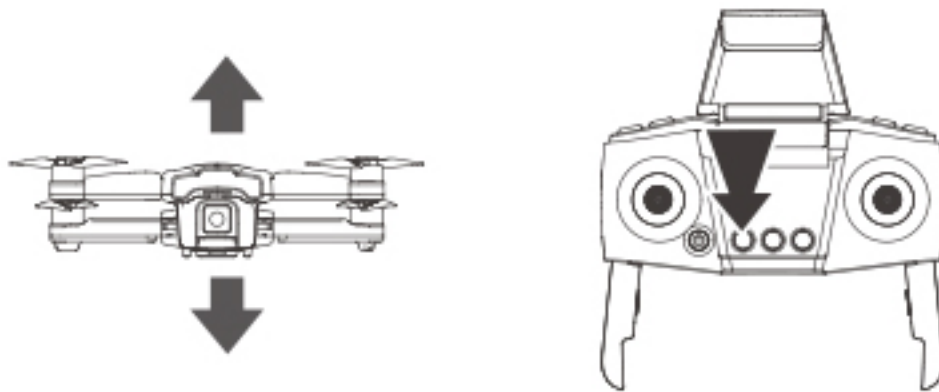
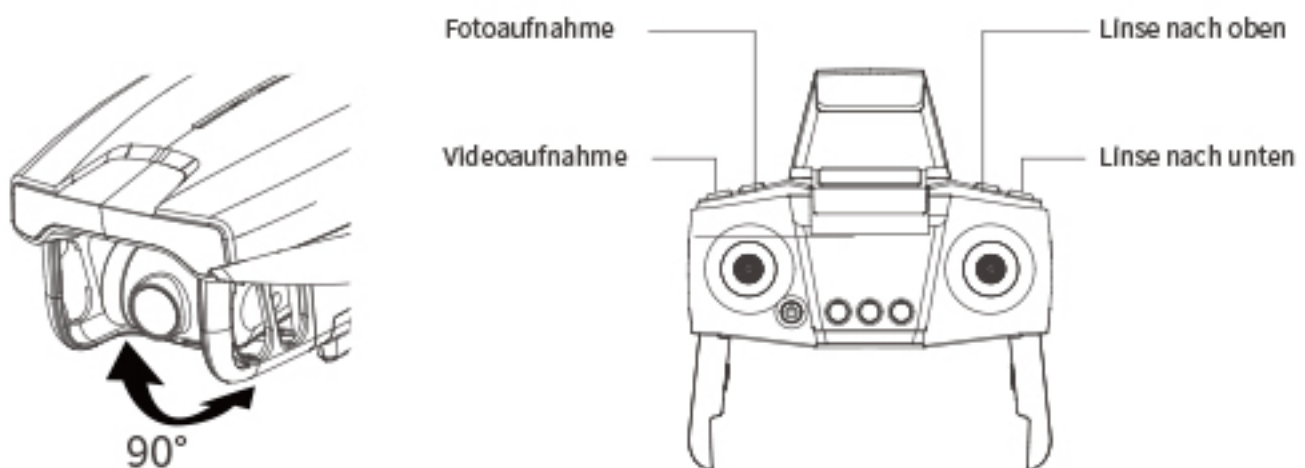


Foto- oder Videoaufnahme mit der Fernbedienung


1. Nehmen Sie ein Foto auf: Drücken Sie die Fototaste. Die Anzeige an der Drohne blinkt, um anzuzeigen, dass ein Foto aufgenommen wurde.
2. Video aufnehmen: Drücken Sie die Aufnahmetaste. Die Anzeige an der Drohne blinkt zweimal, um anzuzeigen, dass die Aufnahme läuft. Dann drücken Sie die Aufnahmetaste noch einmal um die Aufnahme zu beenden. Die Anzeige an der Drohne leuchtet auf, um anzuzeigen, dass die Aufnahme abgeschlossen ist.



Note:

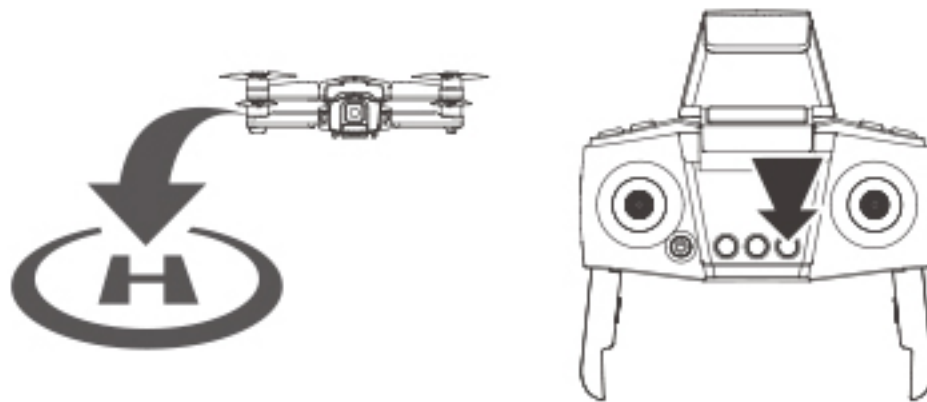
- *Wenn es keine Speicherkarte in der Drohne befindet, werden Fotos und Videoaufnahmen auf Ihrem Telefon gespeichert.
- *Wenn eine Speicherkarte in der Drohne eingesetzt ist, werden Fotos und Videoaufnahmen auf der Speicherkarte und auf Ihrem Telefon gespeichert.
- *Die Fotos und Videos auf dem Handy können erst nach dem Download angesehen werden.
- *Die Drohne unterstützt Speicherkarten mit einer Kapazität von bis zu 64 GB.

Rückkehr zur Home-Funktion

Halten Sie im GPS-Modus (wenn  können Sie den Joystick verwenden, um Drohne zu steuern: Steigen, Sinken und nach links/rechts bewegen, um Hindernissen auszuweichen. Um den Rückflug zu beenden, drücken Sie die Return-to-Home-Taste in langer Zeit.

*Wenn die Drohne in einer Höhe von weniger als 20 m fliegt, steigt sie automatisch auf eine Höhe von 20 m auf, bevor sie zurückkehrt.


*Wenn die Drohne in einer Höhe von mehr als 20 m fliegt, kehrt sie auf der gleichen Höhe nach Hause zurück.



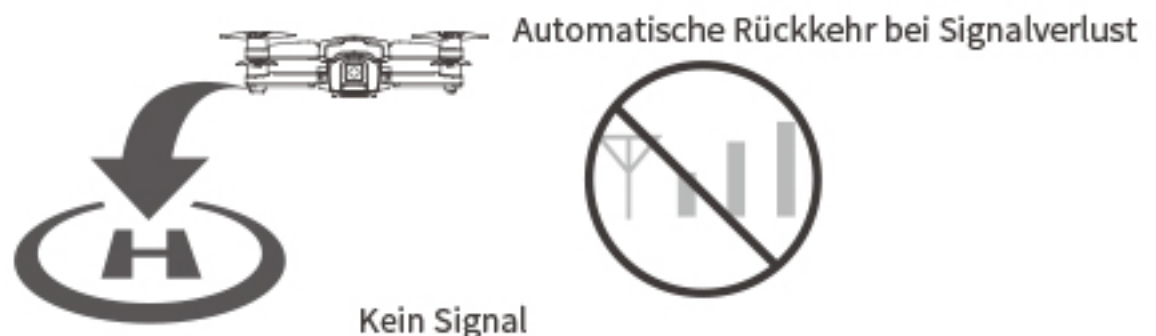
Zurück zur Flucht

Wenn das Fernbedienungssignal für mehr als 20 Sekunden verloren geht, kehrt die Drohne automatisch in die Startposition zurück. Wenn das Signal während des Rückflugs wiederhergestellt wird, können Sie die Taste "Return to Home" in langer Zeit drücken, um den Rückflug zu beenden.

*Die Drohne kann Hindernissen während des Rückflugs nicht automatisch ausweichen.

*Die automatische Rückkehr zum Heimatort ist nicht verfügbar, wenn das GPS-Signal schwach ist (blinkende  Anzeige).

*Wenn die Drohne kein GPS-Signal empfängt und den Kontakt mit der Fernbedienung für mehr als 40 Sekunden verliert, kann sie nicht zur Heimat zurückkehren, sondern landet automatisch.



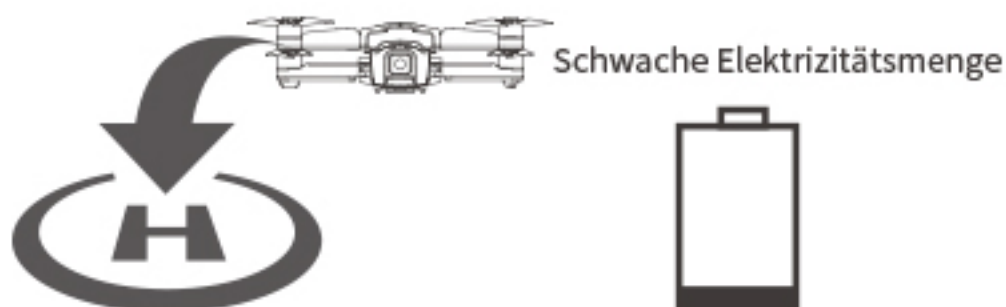
Automatische Rückkehr wegen schwacher Batterie

Wenn der Akku der Drohne leer ist, kehrt die Drohne automatisch in die Startposition zurück. Während des Rückflugs können Sie den Joystick verwenden, um die Drohne auf- und absteigen zu lassen und nach links/rechts zu bewegen, um Hindernissen auszuweichen.

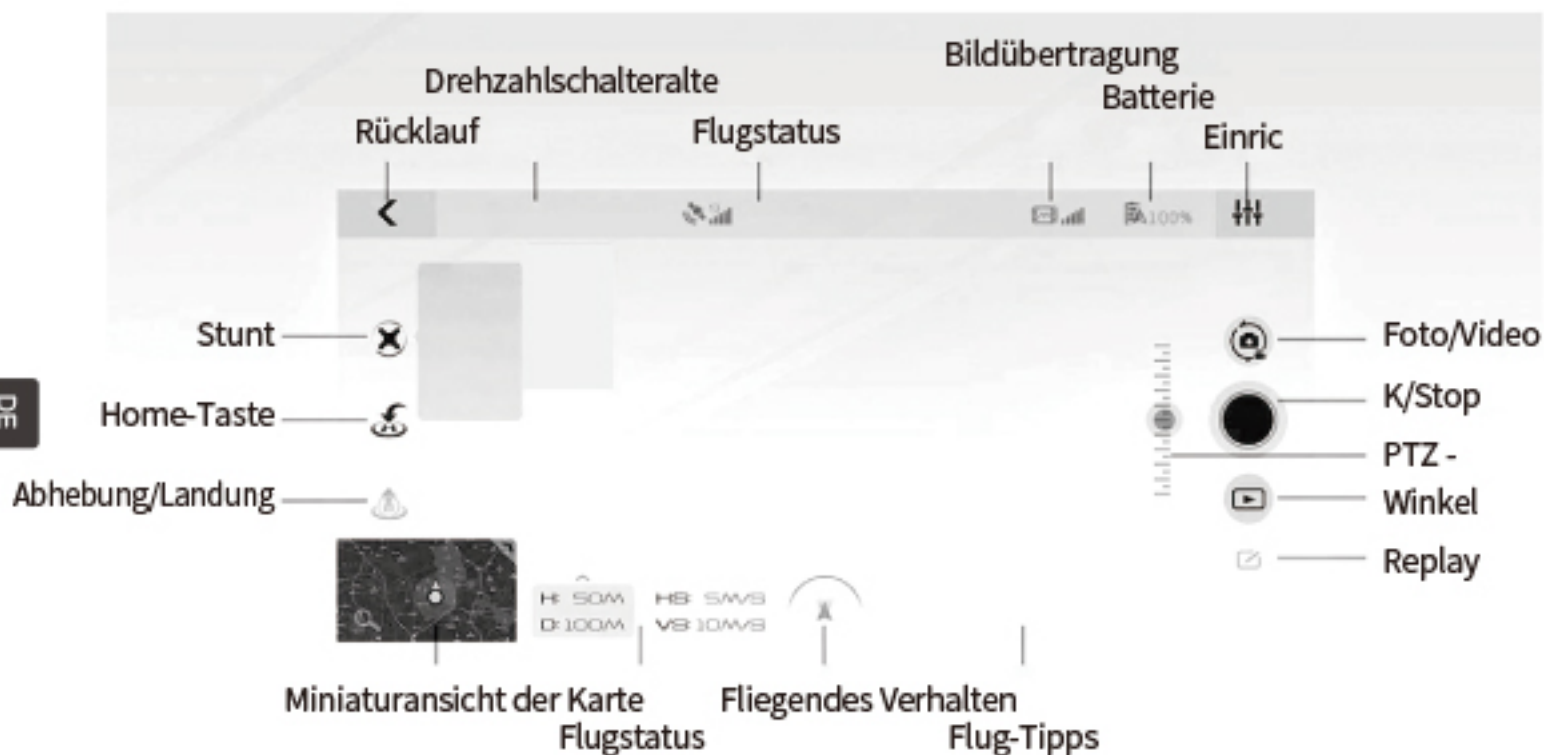
*Wenn die Drohne mehr als 20 m von der Landeposition entfernt ist, kann der Rückflug nicht abgebrochen werden.

*Wenn die Drohne weniger als 20 m von der Landeposition entfernt ist, kann der Rückflug abgebrochen werden.

Landeposition: Die anfängliche Entriegelungs-/Startposition.



4.5 Funktionen der Smart-App



*Bevor Sie die Funktionen der Smart App verwenden, sehen Sie sich das Video-Tutorial in der symapro oder SYMA Internetprovider

*Stellen Sie vor Anwendung die passende Flughöhe und Entfernung in der SYMA Pro App .

5.0 Zustand, Überprüfung und Reparatur der Flugzeuge

5.1 Hinweise von der LED-Anzeigen der Flugzeuge

Nr.	Status des Indikators	Bedeutung
1	Die gelbe LED leuchtet immer	Optische Flusspositionierung
2	Die grüne LED leuchtet immer	GPS-Modus
3	Nach dem Blinken der LED 4S	Kopfloser Modus
4	Die LED blinkt zweimal und bleibt dann für 1,5S stehen	Laufende Aufnahme
5	Die LED blinkt schnell	Pairing oder Pegelkalibrierung läuft
6	Nach zweimaligem Blinken von LED1S	Schwache Elektrizitätsmenge
7	Nach LED1S blinkt 1 Mal	Signal verloren
8	Die LED blinkt langsam	GPS-Fehler
9	Die LED blinkt schnell	Schlechter GPS-Empfang
10	Die LED leuchtet konstant rot	Positionierung nicht-optischer Strömungen

5.2 Prozesse von Überprüfung und Reparatur

Problem	Ursache	Ursache Lösung
Das Luftfahrzeug reagieren nicht.	1. Der Unterspannungsschutz wurde aktiviert. 2. Der Batteriestand der Fernbedienung ist niedrig und die Betriebsanzeige blinkt.	1. Laden Sie den Akku der Drohne auf. Wechseln Sie die Batterien in der Fernbedienung.
Das Flugzeug kann nicht im GPS-Modus positioniert werden	1. Geomagnetische Abweichung 2. Schwaches GPS-Signal 3. Die Umgebung ist klein oder es gibt viele Hindernisse	1. Kalibrieren Sie den Kompass erneut. 2. Suchen Sie nach Satelliten noch einmal. 3. Wechseln Sie in eine offene Umgebung.
Die Drohne driftet im Schwebeflug zu einer Seite.	Die Drohne ist nicht waagrecht zum Boden kalibriert.	Kalibrieren Sie die Drohne.
Langsame Bildübertragung	1. Umgebungsinterferenzen 2. Niedrige Telefonkonfiguration oder kleiner Cache	1. Wechseln Sie in eine offene Umgebung 2. Aktualisieren Sie Ihr Telefon oder leeren Sie den Cache
Die Drohne schwebt nicht richtig/ die Drohne bewegt sich ständig auf und ab.	1. Die Drohne ist nicht waagrecht zum Boden kalibriert. 2. Der Luftdruck ist aufgrund der schlechten Wetterbedingungen instabil. Durch einen heftigen Aufprall wurden die Daten des Gyroskops beschädigt.	1. Kalibrieren Sie die Drohne. 2. Vermeiden Sie Flüge bei schlechtem Wetter.

Kontakt

Bitte zögern Sie nicht, uns zu kontaktieren, wenn Sie weitere Unterstützung benötigen.

✉ warranty@symatoys.com.cn

☎ +1 718-312-0558(US) +44 (0)7723708421(UK) +4933545519201(DE)

☺ Für Online-Support, scannen Sie bitte diesen Code mit Facebook Messenger



6.0 Die Liste des Produktzubehör

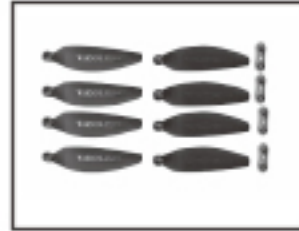
Der folgende Abschnitt enthält eine Liste des optionalen Zubehörs, das zum Kauf angeboten wird. Das Zubehör kann bei Ihrem Fachhändler vor Ort erworben werden. Bitte geben Sie beim Kauf Ihre bevorzugte Farbe an.



Luftfahrzeug-Körper



Arm



Arm Teile



webcam



Leichte Abdeckung



Motor



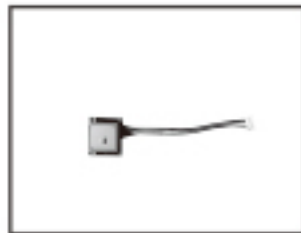
Füße



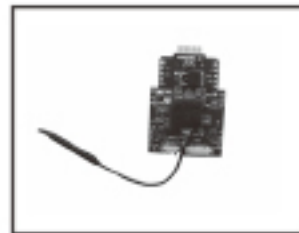
Schutzhülle



Arm-Zubehör



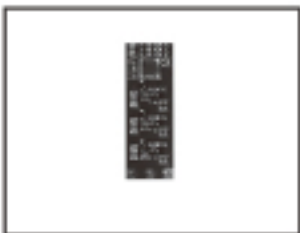
GPS-Modus



Empfänger-Platine



Kamera-Platine



PCB



Batterie



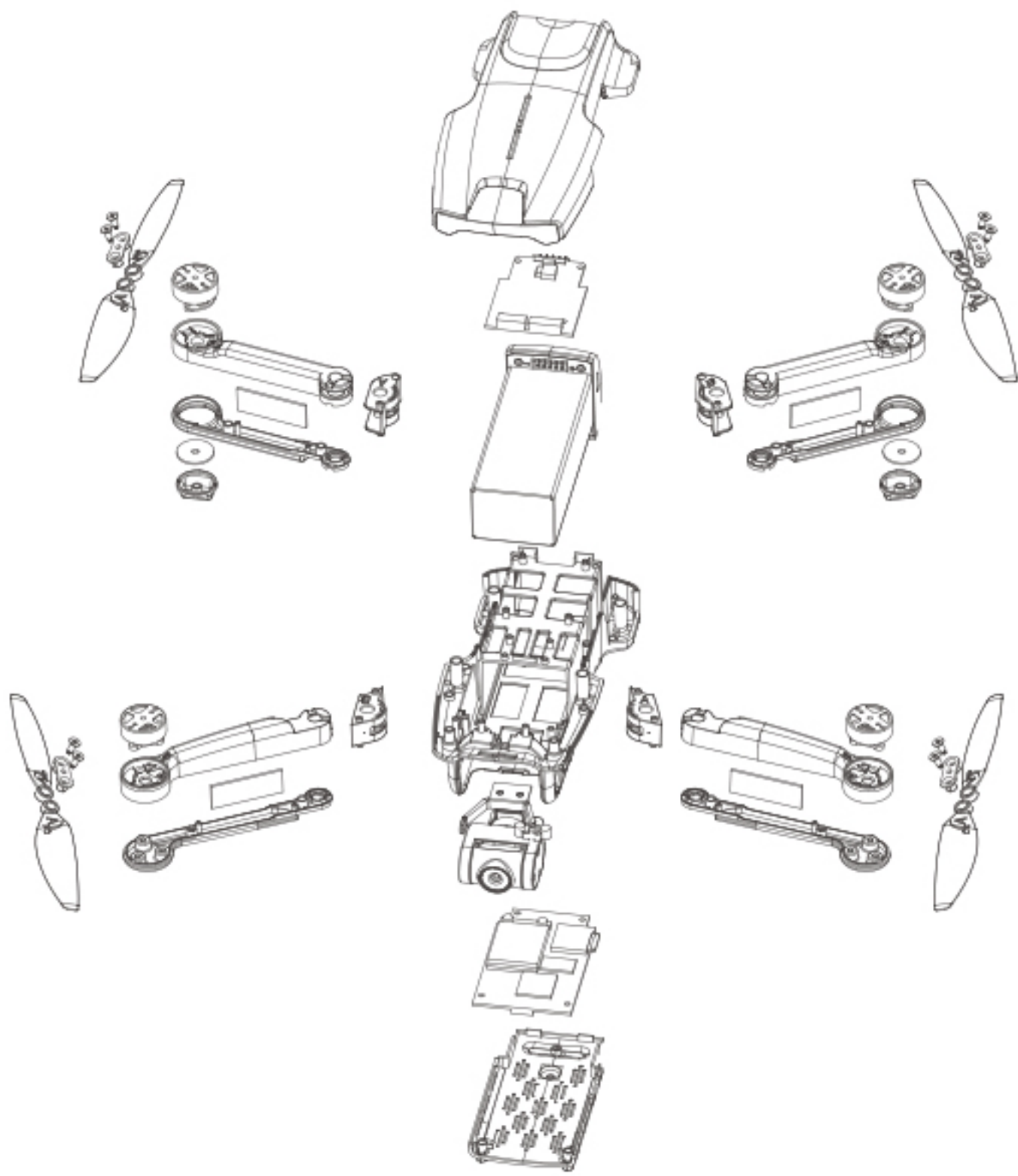
Ladekabel



Optische Durchflussplatte



Fernsteuerung



Warnung: Änderungen oder Modifikationen an diesem Gerät, die nicht ausdrücklich von der für die Einhaltung der Vorschriften verantwortlichen Stelle genehmigt wurden, können dazu führen, dass die Berechtigung des Benutzers zum Betrieb des Geräts erlischt.

HINWEIS: Dieses Gerät wurde getestet und entspricht den Grenzwerten für ein digitales Gerät der Klasse B gemäß Teil 15 der FCC-Vorschriften. Diese Grenzwerte sind so ausgelegt, dass sie einen angemessenen Schutz gegen schädliche Störungen bei der Installation in Wohngebieten bieten. Dieses Gerät erzeugt und verwendet Hochfrequenzenergie und kann diese ausstrahlen. Wenn es nicht gemäß den Anweisungen installiert und verwendet wird, kann es schädliche Störungen im Funkverkehr verursachen. Es gibt jedoch keine Garantie, dass in einer bestimmten Installation keine Störungen auftreten. Wenn dieses Gerät schädliche Störungen des Radio- oder Fernsehempfangs verursacht, was durch Ein- und Ausschalten des Geräts festgestellt werden kann, sollte der Benutzer versuchen, die Störungen durch eine oder mehrere der folgenden Maßnahmen zu beheben:

- Richten Sie die Empfangsantenne neu aus oder verlegen Sie sie.
- Vergrößern Sie den Abstand zwischen Gerät und Empfänger.
- Schließen Sie das Gerät an eine Steckdose an, die zu einem anderen Stromkreis als der gehört, an den das Empfänger angeschlossen ist.
- Ziehen Sie den Händler oder einen erfahrenen Radio-/Fernsehtechniker zu Rate.

"Dieses Gerät entspricht den FCC-Grenzwerten für die Strahlenbelastung der Allgemeinbevölkerung (unkontrollierte Exposition) und darf nicht in Verbindung mit einer anderen Antenne oder einem Sender betrieben werden."

HF-Frequenzband :2409-2475MHZ Sendeleistung : 10 dBM (Max.)
Verkauft an EU-Land Produktname: [DRONE]
Modellnummer: [X650] Markenname :SYMA

Hiermit erklärt [GUANGDONG SYMA MODEL AIRCRAFT INDUSTRIAL CO., LTD], dass diese [Drohne] der Richtlinie 2014/53/EU entspricht. Die vollständige Prüfung der EU-Konformitätserklärung ist unter folgender Internetadresse verfügbar: <http://www.symatoys.com/down/declaration-of-conformity.html>



Garantie

BEFRISTETE GARANTIE VON 2 Jährige UND KOSTENLOSE BEGRENZTE ERSATZTEILE FÜR 2 Jahre

Symatoys.com.cn garantiert dem ursprünglichen Käufer, wenn Produkte neunzig 2 Jahr ab dem Datum des Versands an den Käufer Material- und Verarbeitungsfehlern haben, kann der Käufer einen kostenfreien Ersatz erhalten, entweder direkt von symatoys.com.cn oder von einem autorisierten Wiederverkäufer Standort.

Die folgenden Voraussetzungen müssen für die Gewährleistung erfüllt sein:

1. Während der Garantiezeit wird das Produkt wie vom Hersteller vorgesehen verwendet.
2. Das Produkt wurde nicht zerlegt oder modifiziert.
3. Die Etiketten und Seriennummern zeigen keine Anzeichen von Manipulationen oder Veränderungen.
4. Der Käufer verfügt über einen Garantiecode, den er erhalten hat, indem er sein Produkt online registriert, bevor er einen Anspruch geltend macht.

AUSNAHMEN: DIE BEGRENZTE GARANTIE GILT NICHT FÜR:

- Schäden durch normalen Verschleiß
- Unfall, Fahrlässigkeit, Missbrauch, fehlerhafte Anwendung oder vorsätzliche Beschädigung durch den Käufer (oder seine Vertreter) oder höhere Gewalt
- Absturz oder Verbrennung durch nicht herstellungsbedingte Faktoren
- Schäden, die durch autorisierte Änderungen oder Demontagen verursacht wurden, die nicht durch die Bedienungsanleitung autorisiert wurden
- Schäden durch unsachgemäße Verwendung oder Bedienung
- Schäden durch Nichtübereinstimmung oder Missbrauch des Akkus oder Ladegeräts
- Nichtbeachtung der Bedienungsanleitung durch den Bediener zur Verwendung außerhalb der Betriebsparameter des Produkts
- Das sind Schäden, die durch den Betrieb des Produkts in oder um elektromagnetische Störungen (d.h. Funkübertragungsturm, Hochspannungskabel, Umspannwerk usw.) verursacht werden.
- Das sind Schäden, die durch den Betrieb des Produkts verursacht werden, wenn Störungen durch andere drahtlose Geräte auftreten können
- Betrieb des Produkts mit einer Tragfähigkeit, die über das im Handbuch angegebenen Verkaufsgewicht ist.
- Betrieb des Produkts mit gealterten, beschädigten oder nicht authentifizierten Komponenten von Drittanbietern
- Betrieb des Produkts mit defekter Batterie

GARANTIE

VERFAHREN: Ansprüche wegen Verletzung der vorstehenden begrenzten Garantie sind nur gültig, wenn der Käufer diesen Anspruch innerhalb von Jahre ab dem Datum des Versands des Produkts, an das der Anspruch geltend gemacht wird, schriftlich geltend macht. Um einen Garantieanspruch geltend zu machen, senden Sie bitte eine E-Mail an warranty@symatoys.com.cn mit Ihrem vollständigen Namen, Adresse, Telefonnummer, Bestellnummer, Fahrzeugtyp, Teiletyp und Kaufdatum sowie Produktausgabe.

BEGRENZTE ABHILFE:

Die alleinige Haftung von Symatoys.com.cn und das alleinige Rechtsmittel des Käufers bei Verstößen gegen die vorstehende Garantie liegt in der Option von Symatoys.com.cn, das Produkt gegen ein neues Produkt oder ein generalüberholtes Produkt auszutauschen, und funktional dem Originalprodukt entspricht, oder eine Gutschrift oder Rückerstattung auf den Kaufpreis des Produkts auszustellen.

Für alle ersetzten Produkte wird eine Garantie gemäß den hierin festgelegten Bestimmungen gewährt, sofern die Frist, innerhalb derer der Käufer weitere Ansprüche geltend machen kann, auf den Rest der ursprünglichen Frist für das betreffende Produkt oder auf 2 Jährige begrenzt ist, je nachdem, welcher Zeitraum länger ist (Die Gewährleistungsfrist wird jedoch während jeder Austauschzeit ausgesetzt)

Haftungsausschluss:

DIE GARANTIE UND DIE RECHTSMITTEL SIND AUSSCHLIESSLICH UND ERSETZEN ALLE ANDEREN GARANTIEN.

UND Symatoys.com.cn SCHLIESST ALLE ANDEREN AUSDRÜCKLICHEN ODER STILLSCHWEIGENDEN GEWÄHRLEISTUNGEN AUS, EINSCHLIESSLICH, ABER NICHT BESCHRÄNKT AUF DEN STILLSCHWEIGENDEN GEWÄHRLEISTUNGEN FÜR MARKTGÄNGIGKEIT UND EIGNUNG FÜR EINEN BESTIMMTEN ZWECK, NICHTVERLETZUNG UND JEGLICHE GEWÄHRLEISTUNGEN, DIE AUS DEM HANDELSKURS, DEM LEISTUNGSKURS UND DER NUTZUNG DES HANDELS ENTSTEHEN.

Symatoys.com.cn ÜBERNIMMT KEINE VERANTWORTUNG FÜR DIREKTE, BESONDERE, NEBEN- ODER FOLGESCHÄDEN, DIE WEGEN VERSTOß GEGEN EINE GEWÄHRLEISTUNG ODER EINE BEDINGUNGEN ODER UNTER ANDEREN RECHTLICHEN THEORIEN ENTSTEHEN. EINSCHLIESSLICH, ABER NICHT BESCHRÄNKT AUF; VERLUST DES NUTZENS; UMSATZVERLUST; VERLUST VON TATSÄCHLICHEN ERWARTETEN GEWINNEN (EINSCHLIESSLICH VERLUST VON GEWINNEN AUS VERTRÄGEN); VERLUST DER VERWENDUNG VON GELD, VERLUST VON VORAUSSICHTLICHEN EINSPARUNGEN; VERLUST VON GESCHÄFTSKOSTEN DER GELEGENHEIT; VERLUST DES GUTEN WILLENS, VERLUST DER EPUTATION; VERLUST VON SCHÄDEN DURCH KOMPROMISSION ODER KORRUPTION VON DATEN; ODER JEGLICHE INDIREKTE ODER FOLGENDE VERLUSTE ODER SCHÄDEN, DIE JEDOCH VERURSACHT WURDEN, EINSCHLIESSLICH DES AUSTAUSCHS VON AUSRÜSTUNG UND EIGENTUM.

JEGLICHE KOSTEN FÜR DIE WIEDERHERSTELLUNG ODER WIEDERHERSTELLUNG VON DATEN, DIE IN DEM PRODUKT GESPEICHERT ODER VERWENDET WERDEN, ODER JEGLICHE NICHTBEHALTUNG DER VERTRAULICHKEIT VON INFORMATIONEN, DIE DAS PRODUKT LAGERT.

Einige Staaten erlauben nicht den Ausschluss oder die Beschränkung von Neben- oder Folgeschäden. Daher gilt die oben genannte Einschränkung oder der oben genannte Ausschluss möglicherweise nicht für Sie. Darüber hinaus erlauben einige Staaten keine Einschränkungen hinsichtlich der Dauer einer impliziten Garantie. Daher gilt die oben genannte Einschränkung möglicherweise nicht für Sie.

KOSTENLOSER AUSTAUSCH VON TEILEN FÜR 2 Jahr:

Symatoys.com.cn stellt alle Ersatzteile, die für registrierte Fahrzeuge benötigt werden, 2 Jährige ab Kaufdatum kostenlos zur Verfügung, mit Ausnahme von Batterien und Motoren, Leiterplatten und Fernbedienug. Es können Versandkosten anfallen. Beschränken Sie die Anforderung eines Teiletyps pro registriertem Fahrzeug (z. B. Registranten haben Anspruch auf einen zusätzlichen Satz Batterien pro registriertem Fahrzeug). Um Ersatzteile anzufordern, senden Sie bitte eine E-Mail an warranty@symatoys.com.cn mit Ihrem Garantiecode, Fahrzeugnamen / Modell , aktuelle Lieferadresse, Kaufdatum und Teiletyp

**ERHALTEN SIE IHREN GARANTIECODE UNTER
symatoys.com.cn/pages/warranty-signup
HABEN SIE IHRE BESTELLNUMMER UND / ODER DAS
FAHRZEUG UPC BEREIT**



Bei dieser Drohne handelt es sich um ein Luftfahrzeug.
Es gilt das Luftfahrtrecht.

Als Drohnenpilot tragen Sie die Verantwortung für die Sicherheit während des Fluges Ihrer Drohne.

Vor Flugbeginn müssen Sie folgendes sicherstellen.

- ✓ Stellen Sie sicher, dass sich die Person, der die Drohne gehört, bei der zuständigen nationalen Behörde registriert (sofern dies noch nicht geschehen ist).
- ✓ Stellen Sie sicher, dass die Registrierungsnummer sichtbar an der Drohne angebracht ist.
- ✓ Lesen Sie die Anweisungen des Herstellers.



Informieren Sie sich über den
Registrierungsvorgang und
darüber, an welchen Orten
Flüge erlaubt sind:
www.easa.europa.eu/drones/NAA





DAS SOLLTEN SIE TUN



Sorgen Sie für angemessenen Versicherungsschutz.



Informieren Sie sich über Flugverbotszonen und jegliche Beschränkungen in dem Gebiet, in dem Sie die Drohne betreiben wollen.



Halten Sie die Drohne stets in Sichtweite.



Halten Sie mit Ihrer Drohne einen angemessenen Sicherheitsabstand zu Menschen und Tieren sowie zu anderen Luftfahrzeugen ein.



Benachrichtigen Sie umgehend die Luftfahrtbehörde Ihres Landes, wenn Ihre Drohne an einem Unfall beteiligt ist, bei dem eine Person schwere oder tödliche Verletzungen erleidet, oder wenn ein bemanntes Luftfahrzeug beeinträchtigt wurde.



Setzen Sie Ihre Drohne nur im Rahmen der in den Anweisungen des Herstellers festgelegten Bedingungen ein.

DAS SOLLTEN SIE NICHT TUN



Lassen Sie Ihre Drohne nicht über Menschenansammlungen steigen.



Lassen Sie Ihre Drohne nicht höher als 120 m über den Boden steigen.



Betreiben Sie Ihre Drohne nicht in der Nähe von Luftfahrzeugen, Flughäfen und Helipads oder an Orten, an denen Rettungsmaßnahmen durchgeführt werden.



Achten Sie die Privatsphäre anderer Menschen.



Verwenden Sie Ihre Drohne weder für den Transport gefährlicher Güter noch für den Abwurf von Materialien.



Modifizieren Sie Ihre Drohne nicht. Sie dürfen nur vom Drohnenhersteller empfohlene Software auf die Drohne laden.

British Representative:
CET PRODUCT SERVICE LTD.
Beacon House Stokenchurch Business Park,
Ibstone Rd, Stokenchurch
High Wycombe HP14 3FE UK
Tel: +447419325266
E-mail: info.cetservice@gmail.com

Repräsentant der Vereinigten Staaten: Duvin Trade Inc
5800 Wood Sorrel Dr, Littleton, Co, 80123, Vereinigte Staaten
Telefon: 718-312-0558
E-mail: amz@symatoys.com

Hersteller:Guangdong SYMA Model Aircraft Industrial Co., Ltd.
Adresse: Nr.2 West Xingye Strasse, Kreuzung mit Nord Xingye Strasse, Industriepark Laimei,
Bezirk Chenhai,Stadt Shantou, Provinz Guangdong, China,
Postleitzahl: 515800

☎ +1 718-312-0558 (US) +44(0)7723708421 (UK) +49 335-4551-9201(DE)
✉ usa@symatoys.com(US) eu@symatoys.com(EU)
🌐 <http://www.symatoys.com>

Das Unternehmen hat das Recht der endgültigen
Auslegung dieses Benutzerhandbuchs.



Camera with 500 m
Image transmission range
(Please ensure your mobile phone supports 5G)



4K 5G WIFI
Camera



GPS tracking



One-key return



Circle flight



VR model



Waypoint flight



Electronic image



Optical flow
stabilization positioning



One-key take
off/landing



Long battery life



Brushless Motor