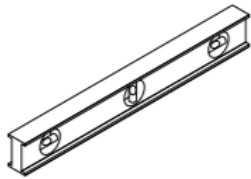
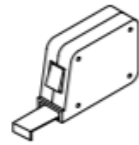
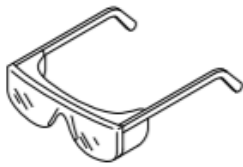


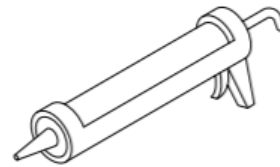
Installation and Care Guide

FerdY® Freestanding Bath

Tools and Materials



Drop Cloth or Mat



100% Silicon Sealant

NOTICE: Adequate floor support must be provided.

IMPORTANT: To ensure a successful installation, install the bath on a leveled, finished floor.

Before You Begin

- Observe all local plumbing and building codes.
- Unpack and inspect the bath and components for damage. Put the bath and components back to the carton until installation.
- To simplify future maintenance, make sure all plumbing connections around the bath are easily accessible.
- Carefully move the bath into the installation area.
- Two persons are needed to install this product.
- This bath is designed for freestanding installation only.

Prepare the Site

- ❑ Refer to the specification sheet for the dimension details.
- ❑ Position and install a standard PVC or brass bath drain pipe to the correct height.
- ❑ Dry fit the drain assembly to the drain pipe, which has already been cut to the correct height. Do not apply sealant or cement to the drain components at this time.
- ❑ Remove the drain assembly from the drain pipe and put it aside.

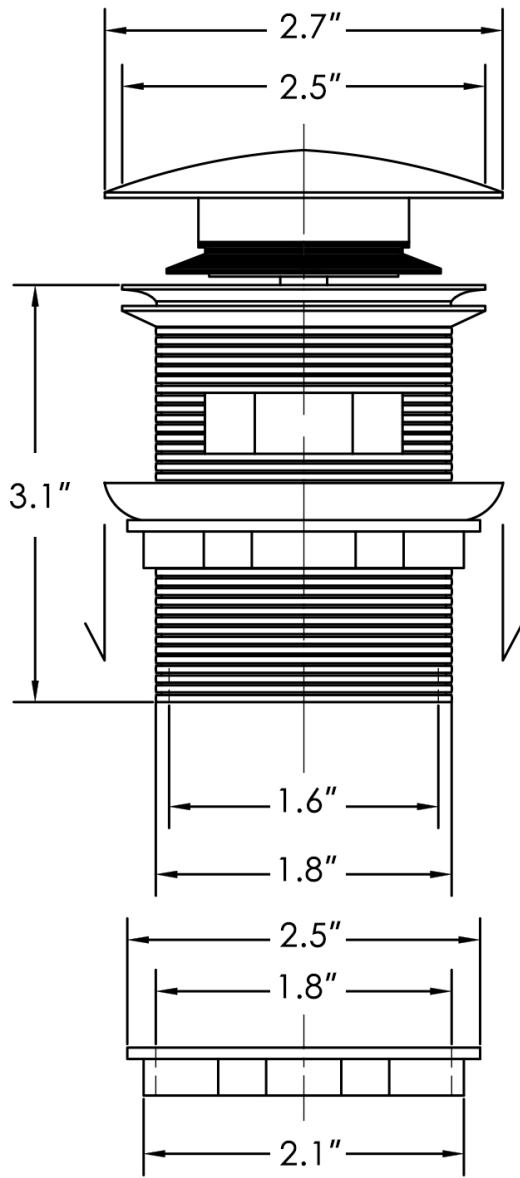
Install the Bath

- ❑ Lay down the bath on one side on top of a drop cloth/mat in the installation location, aside from the drain pipe on the floor.



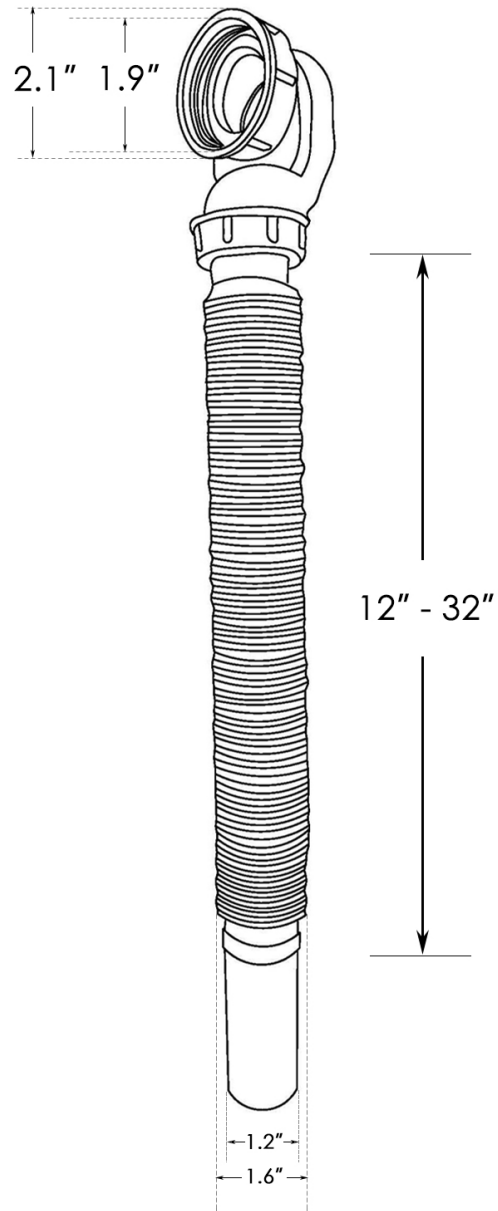
Figure 1: Drain pipe on the floor

- ❑ Dry fit the drain assembly to the bath and apply 100% silicone sealant to the connection. Usually it needs 24 hours to dry. Please follow your plumber's advice accordingly on this part.
- ❑ The PVC drain assembly is extendable so it can reach the drain pipe even if the pipe is not in a perfect position. However, please note that it is more vulnerable compared to a fixed/solid drain assembly. Thus, when you are doing the necessary extension, do it with care.



Pop Up Drain

Figure 2: Pop up drain



Plastic Drain Pipe

Figure 3: PVC drain assembly (Option one)

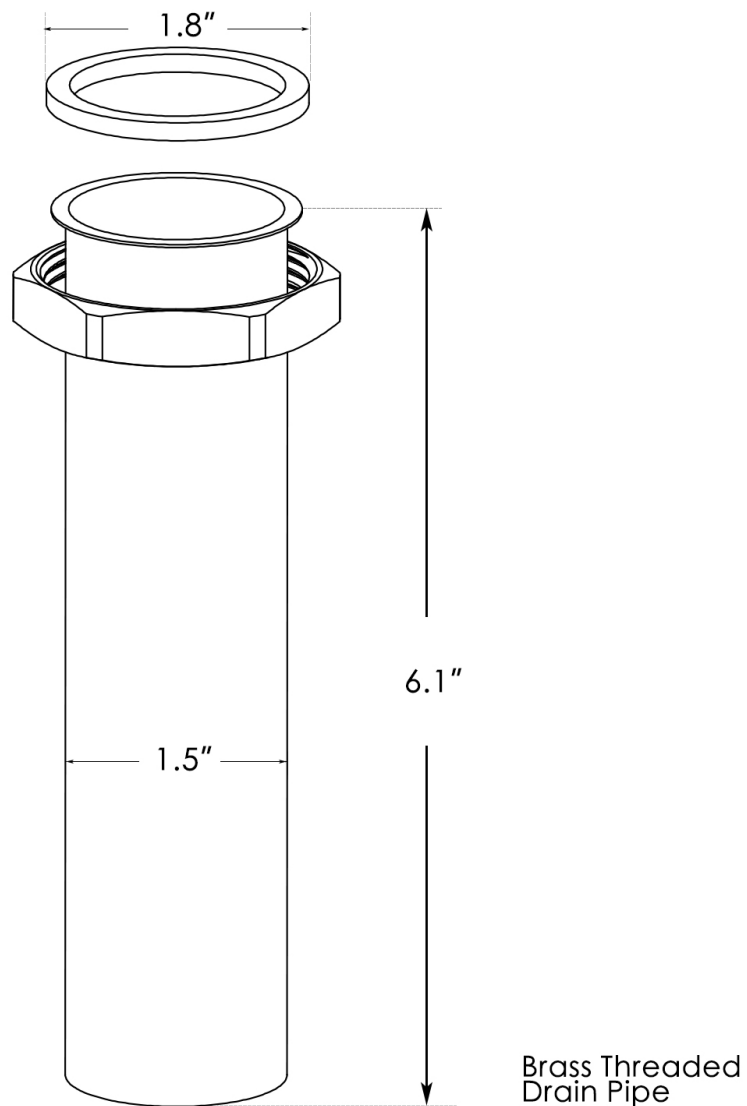


Figure 4: Brass drain assembly (Option two)

- ❑ Plug the other end of the drain assembly into the drain pipe on the floor. It is optional to apply sealant to this part. You can follow your plumbers' advice accordingly.
- ❑ Carefully turn the bath to the correct side and position the bath over the drain on the floor.
- ❑ Close the bath drain. Fill the bath to the overflow, and check for leaks.
- ❑ If everything is ok, apply a thin, continuous layer of clear or color-matched 100% silicone sealant to the seam between the bath and the finished floor.

Care and Cleaning

For best results, keep the following in mind when caring for your FerdY product:

- ❑ Always test your cleaning solution on an inconspicuous area before applying to the entire surface.

- Wipe surfaces clean and rinse completely with water immediately after applying cleaner.
- Rinse and dry any overspray that lands on nearby surfaces.
- Do not allow cleaners to soak on surfaces.
- Use a soft, dampened sponge or cloth. Never use an abrasive material such as a brush or scrubbing pad to clean surfaces.

Removing Minor Surface Damage

Your solid surface acrylic bath is strong and durable, and will provide you with years of satisfaction. If you observe stains or minor scratches in the acrylic surface, follow these steps to quickly repair your bath.

IMPORTANT! This repair procedure is not appropriate for deep scratches, gouges, or chips. For damage of that nature please contact a local solid surface repair professional.

NOTE: We recommend wet sanding to extend the life of the sandpaper, although dry sanding will produce the same quality repair.

NOTE: Use 600 grit sandpaper to remove scratches and stains.

- Apply flat, even pressure with the sandpaper and move the paper in a circular pattern.
- Inspect your progress frequently to ensure a quality repair.
- Clean or replace the sandpaper as needed during the repair.
- When the damage is repaired, polish the area with clean 1000 grit sandpaper. Use a steady circular motion to polish the repaired surface and surrounding area to restore the bath to its original finish.
- When you are finished, rinse the bath surface with clean water to remove any sanding dust and debris. Use a clean cloth to dry the bath surface and then use a microfiber cloth AKA glass cleaning cloth to polish the surface.