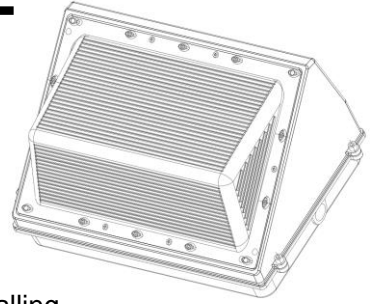


INSTRUCTION MANUAL

LED WALL PACK LIGHT-02

(photocell version)



SAFETY INFORMATION

IMPORTANT: Read all safety precautions and installation instructions carefully before installing

- ◆ Do not handle any energized fixture or attempt to energize any fixture with wet hand or while standing on a wet or damp surface or in water.
- ◆ The fixture is designed for using 120VAC, 60Hz .Do not use DC power.
- ◆ Do not look straight at the lights while it is lite-up.
- ◆ This product can be used in garages, outdoor wall

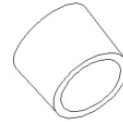
WARNING:IF NOT FOLLOW THESE INSTRUCTION MAY LEAD TO A POTENTIALLY FATAL ELECTRICAL SHOCK OR PROPERTY DAMAGE

PRE-INSTALLATION

HARDWARE INCLUDED



AA:wire connector*3PCS

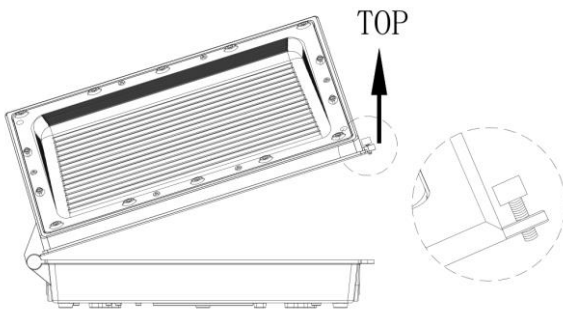


BB: cover cap:1PC

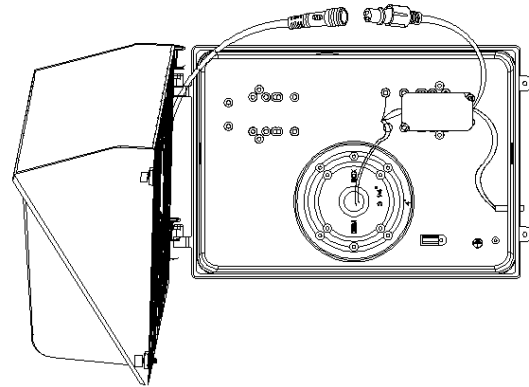
INSTALLATION

Junction box Mounting

1.Loosen screws and remove the front lens set carefully from the back plate.

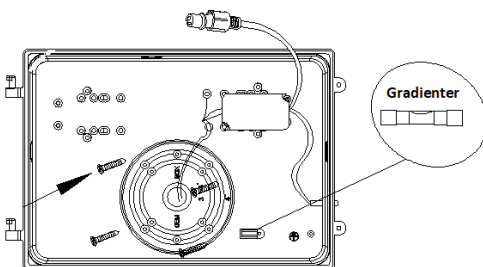


2. Unscrew the terminal wire counterclockwise, remove the radiator.



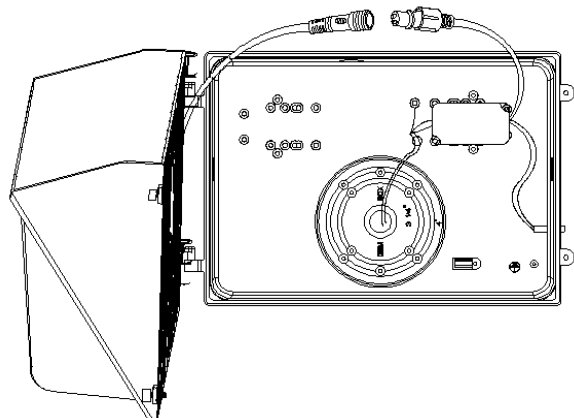
3. Fix the base to the wall by screws. (**Measure the balance of the light fixture- gradienter.**)

4. Finish wiring

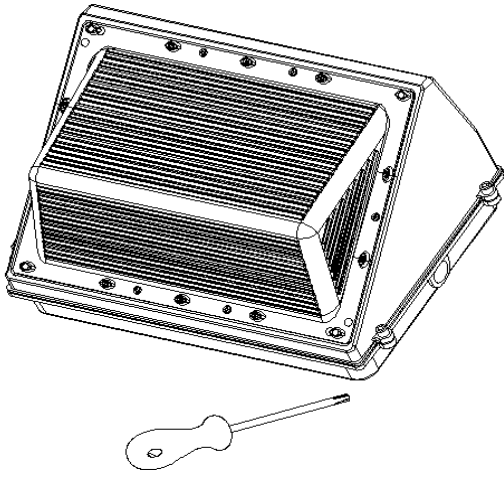


Black ————○——— Line
White ————○——— Neutral
Green ————○——— Ground

5. Fasten the radiator and tighten the terminal wire clockwise.

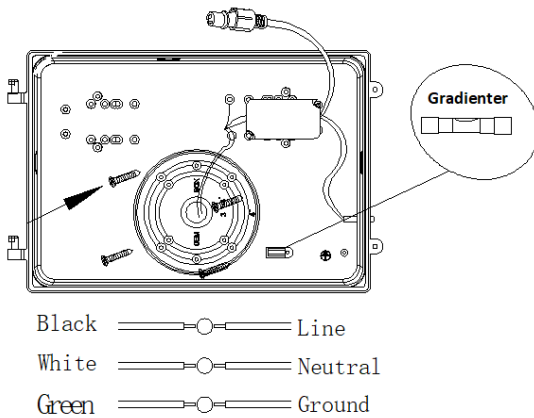


6. Close the radiator, and fix with screws.

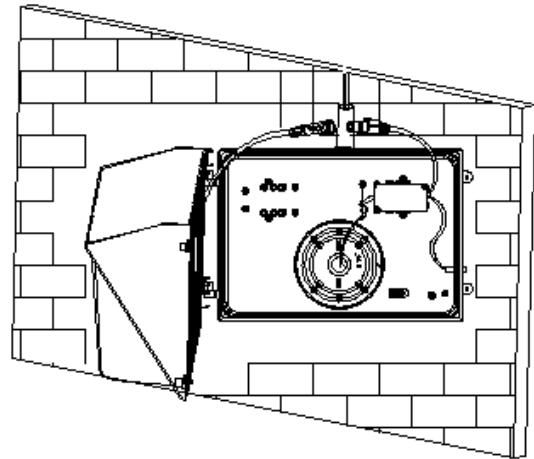


Conduit Mounting

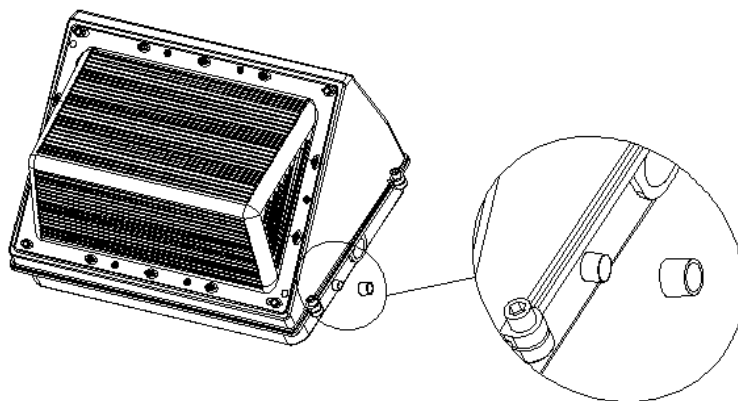
1. loosen screws and remove the front lens carefully from the back plate. (**Measure the balance of the light fixture- Gradienter.**)
2. remove 1/2" plug from where you intend to feed conduit.
3. Drilling out the holes to secure it on the wall with choosing proper screws.
4. Finish wiring.



5. tighten the terminal wire clockwise.
6. Replace the lens set on the hinge, close the lens set and tighten the screws to fasten the lens set to the back plate.



Twist-on Cover cap(BB) to disable dusk-to-dawn functionality.



Guarantee

If your product does not arrive in good condition or does not work great 100% Satisfaction Guarantee within 3 years, please let us know we will give you replacement or refund. Customer service: Lightdot.cs@hotmail.com