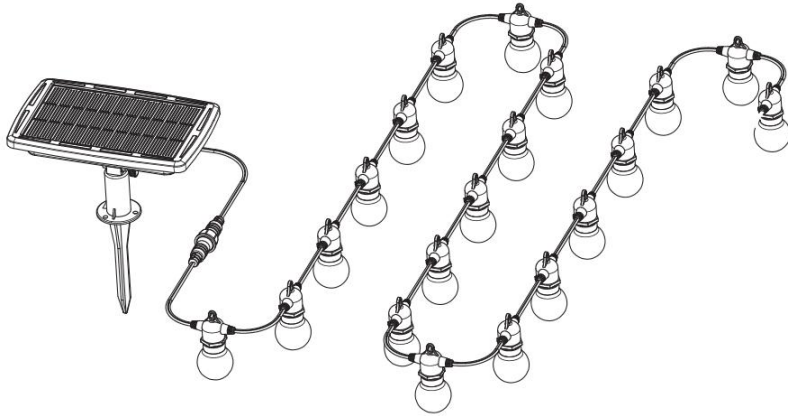
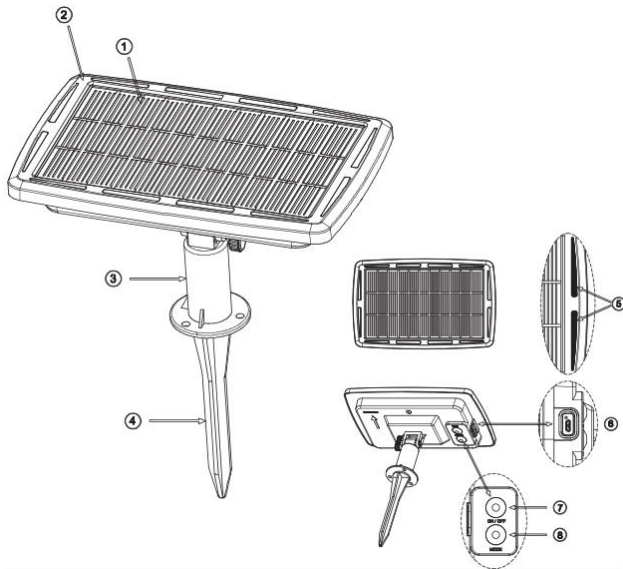


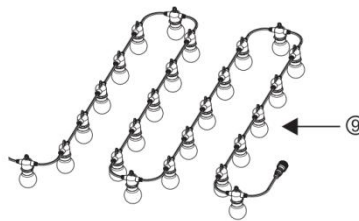
# Installation instructions for LED solar string light



Note: Please read this user manual carefully before use and installation.



- 1.solar panel
- 2.control box
- 3.brace
- 4.ground spike
- 5.indicators
- 6.usb port
- 7.on/off switch
- 8.mode switch
- 9.led bulbs



## SPECIFICATION:

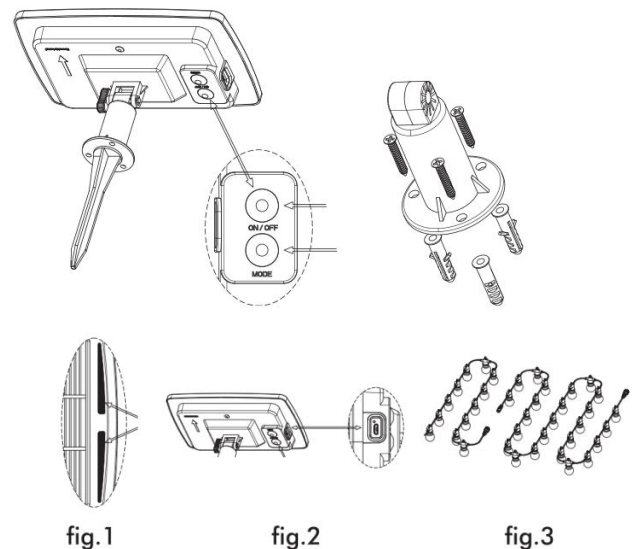
- 1.Solar panel:3w/5v(18% efficiency)
- 2.Li-ion battery:1800mAh/3.7v X 2pcs
- 3.Charge cycles: 500
- 4.Charging time:8 hours(solar panel) , 4 hours(usb charger 5V 1A)
- 5.The discharge time: 5-6 hours.
- 6.Lighting mode:quick flash , steady light , slow flash , pulsating light. 4 modes circulate.
- 7.Light on / off: auto

## INSTALLATION:

- 1.Connect the ground spike and string lights with the control box.
- 2.Settle the string lights and secure the control box to where the solar panel can be shined by sunlight(on the ground with the spike or on the wall with the screws)
- 3.Press the on/off button and select the light mode.

## ADVICE:

- 1.Please re-charge the product before the first use via solar panel or a 5V usb charger. When it's fully charged the indicators on the left will turn green.(fig.1)
2. A usb charger can be used to charge the product on rainy or cloudy days.(fig.2)
- 3.If necessary,the string can be extended by just connecting it with another one (remove the end cap first). (fig.3)



## Guarantee

If your product does not arrive in good condition or does not work great 100% Satisfaction Guarantee within 3 years, please let us know we will give you replacement or refund. Customer service: [support@lightdot.com](mailto:support@lightdot.com)