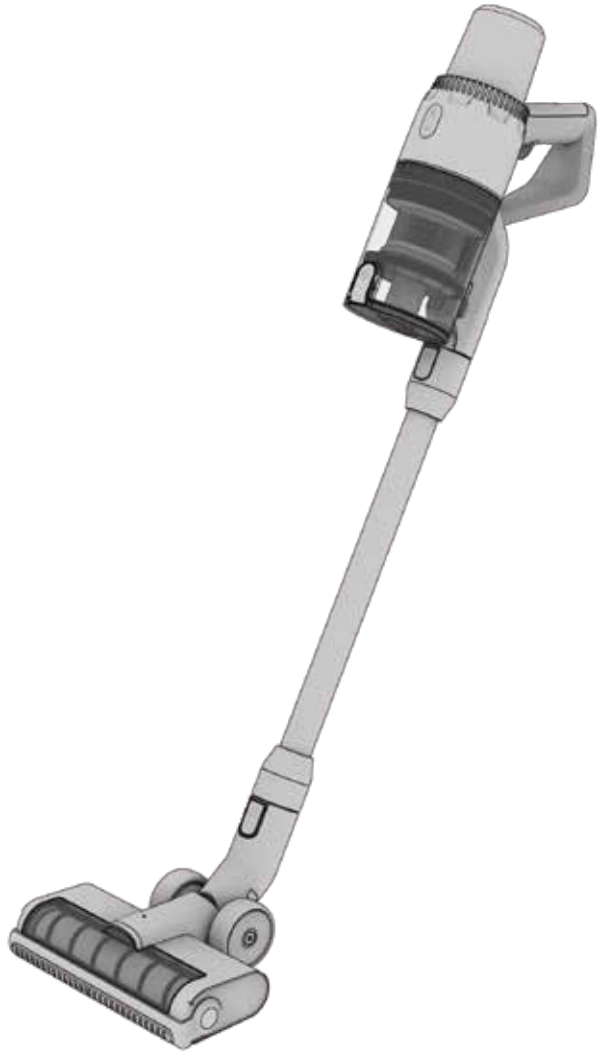


# JASHEN

## Cordless vacuum

**Owner manual**  
**V16 (JS-AV02A02)**  
**Intelligent Vacuum Cleaner**

---



 [www.jashen-tech.com](http://www.jashen-tech.com)  
 [support@jashen-tech.com](mailto:support@jashen-tech.com)

# IMPORTANT SAFETY INSTRUCTIONS

FOR INDOOR USE ONLY

Safety Instructions.....	3
Getting To Know Your Jashen vacuum cleaner.....	5
Assembling your vacuum.....	7
Charging your vacuum.....	10
Using your vacuum.....	11
Maintaining your vacuum.....	12
Emptying the Dust Cup	
Cleaning the Filters	
Maintaining the Brush Roller/Soft Roller	
Checking for Blockages	
Troubleshooting guide.....	14
Specification.....	15

## WELCOME!

Congratulations on your purchase. Use this instruction manual to learn about your new vacuum's great features. From assembly to use to maintenance, you will find it all in here.

## PLEASE READ CAREFULLY AND KEEP FOR FUTURE REFERENCE

If you have any questions, please contact our Email with: [support@jashen-tech.com](mailto:support@jashen-tech.com)

# IMPORTANT SAFETY INSTRUCTIONS

FOR INDOOR USE ONLY

## WARNING

When using an electrical appliance, basic precautions should always be followed, including the following:

**READ ALL INSTRUCTIONS BEFORE USING (THIS APPLIANCE),** Failure to follow the warnings and instructions may result in electric shock, fire and/or serious injury.

## TO REDUCE THE RISK OF FIRE, ELECTRIC SHOCK, OR INJURY:

- **DO NOT** use to vacuum any liquids.
- **DO NOT** immerse in water when cleaning.
- If handheld vacuum/wand is damaged, discontinue use.

## GENERAL USE

- To avoid fire, explosion, or injury, inspect battery pack and chargers for any damage before use. **DO NOT** use with damaged cord or plug. If the appliance has been dropped, damaged, left outdoors, dropped into water, or is not working as it should, return it to a service center.
- **DO NOT** use outdoors or on wet surfaces. Use only on dry surfaces.
- **DO NOT** handle charger, including charger plug and charger terminals with wet hands.
- **DO NOT** leave vacuum cleaner unattended.
- Always turn off this appliance before connecting or disconnecting floor nozzle.
- **DO NOT** incinerate appliance, even if it is severely damaged, as the power pack may explode in a fire.
- Keep the vacuum cleaner moving over the carpet surface at all times to avoid damaging the carpet fibres.
- **DO NOT** place vacuum cleaner on unstable surfaces such as chairs or tables.
- Keep your work area well lit.
- **DO NOT** put any objects into openings. **DO NOT** use with any opening blocked; keep free of dust, lint, hair, and anything that may reduce airflow.
- **DO NOT** allow to be used as a toy. Close attention is necessary when used by or near children, pets or plants.

- **DO NOT** use if airflow is restricted; if the air paths or the floor nozzle become blocked, turn off the vacuum cleaner and remove the battery. Clear all obstructions before returning the battery to vacuum and powering on again. Keep floor nozzle away from hair, face, fingers, uncovered feet, or loose clothing.
- Store the appliance indoors. **DO NOT** use or store it below 39.2°F (4°C). Ensure the appliance is at room temperature before operating.
- **DO NOT** carry the appliance with your finger on the power button.

## GENERAL CLEANING

- **DO NOT** vacuum up hard or sharp objects such as glass, nails, screws, or coins that could damage the vacuum cleaner.
- **DO NOT** vacuum up drywall dust, fireplace ash, or embers. **DO NOT** use as an attachment to power tools for dust collection.
- **DO NOT** vacuum up smoking or burning objects such as hot coals, cigarette butts, or matches.
- **DO NOT** vacuum up flammable or combustible materials, such as lighter fluid, gasoline, or kerosene, or use vacuum in areas where they may be present.
- **DO NOT** vacuum up toxic solutions (e.g., chlorine bleach, ammonia, or drain cleaner). **DO NOT** use in an enclosed space where vapors are present from paint, paint thinner, moth-proofing substances, flammable dust, or other explosive or toxic materials.
- **DO NOT** vacuum up any liquids.
- **DO NOT** immerse vacuum cleaner in water or other liquids.
- Use extra care when cleaning on stairs.

# IMPORTANT SAFETY INSTRUCTIONS

## FOR INDOOR USE ONLY

### DUST CUP/FILTERS/ACCESSORIES

- **DO NOT** use without filter, dust cup, and all filters in place. Make sure all accessories are in place after routine maintenance.
- Disconnect the battery pack from the appliance before making any adjustments, changing accessories, or storing the appliance. Such preventive safety measures reduce the risk of starting the appliance accidentally.
- Make sure that all filters are thoroughly dry and all accessories are free of blockages after routine cleaning.
- Use only Jashen® brand filters and accessories. Using other brands will void the warranty.

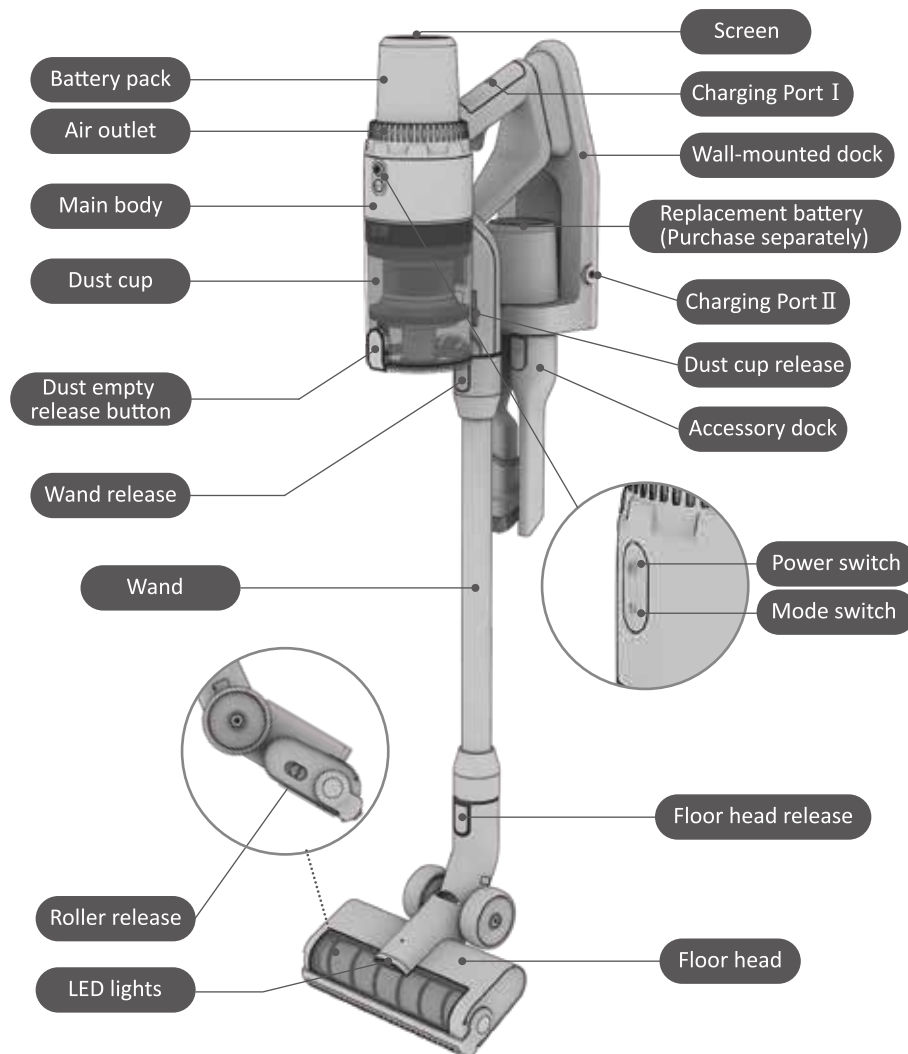
### BATTERY PACK

- **DO NOT** charge appliance with the power on.
- **DO NOT** charge power pack at temperatures below 50°F (10°C) or above 100°F (38°C). Charging improperly or at temperatures outside of the specified range may damage the Battery and increase the risk of fire.
- **DO NOT** expose battery or appliance to fire or temperature above 266°F (130°C) as it may cause an explosion. Battery should not be stored at temperatures below 37.4°F (3°C) or above 104°F (40°C) to maintain long-term battery life.
- Use Battery Charging Dock on flat, stable surfaces only.
- Use appliance only with specifically designated batteries and adapter. Use of any other battery packs or adapter may create a risk of injury and fire.
- Must use the original adapter to charge, otherwise it may damage the machine.
- When Battery is not in use, keep it away from all metal objects, such as paper clips, coins, keys, nails, or screws. Shorting the battery terminals together increases the risk of fire or burns. Battery should not be exposed to or submerged in any water, salt water, or other liquids.

- Under abusive conditions, liquid may be ejected from the battery pack. Avoid contact with liquid, as it may cause irritation or burns. If contact occurs, flush with water. If liquid contacts eyes, seek medical help.
- **DO NOT** modify or attempt to repair the appliance or the battery yourself, appliance should only be serviced by a qualified repair person using only identical replacement parts.

# GETTING TO KNOW YOUR JASHEN VACUUM CLEANER

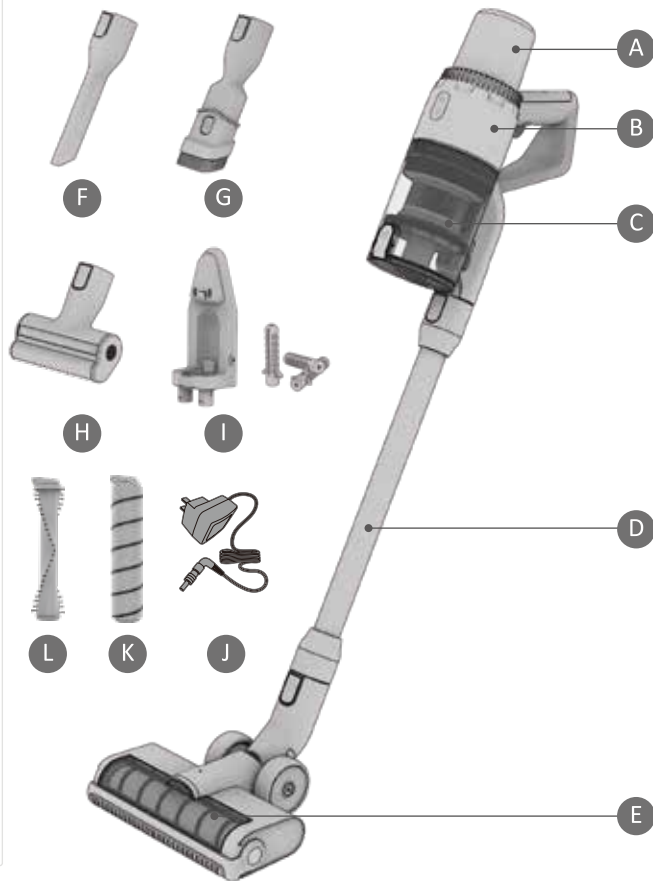
## Function Overview



# GETTING TO KNOW YOUR JASHEN CORDLESS VACUUM

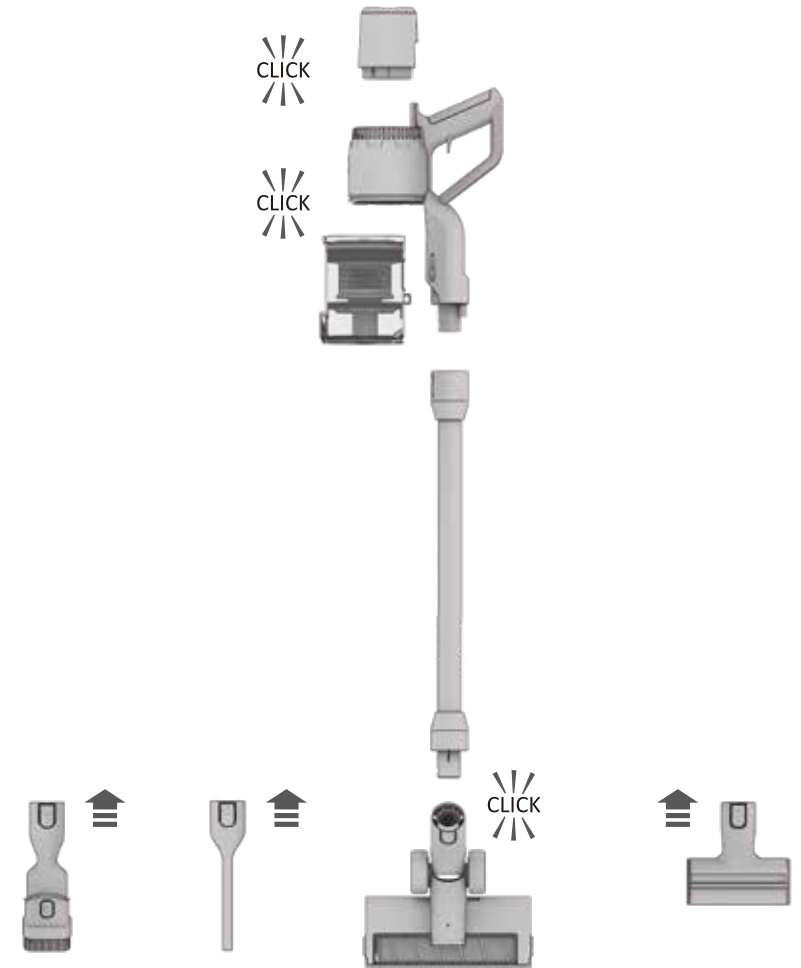
**⚠ NOTE:** Your Battery does not come fully charged. Prior to first use, fully charge. During first use, discharge fully to condition your battery.

- A: Battery pack with digital display screen
- B: Main body
- C: Dust Cup
- D: Wand
- E: Direct-drive LED multi-use floor head
- F: Crevice tool
- G: Dusting Brush
- H: Upholstery Tool
- I: Wall-mounted dock with screw
- J: Adapter
- K: Hard Floor Brushroll
- L: Carpet Brushroll



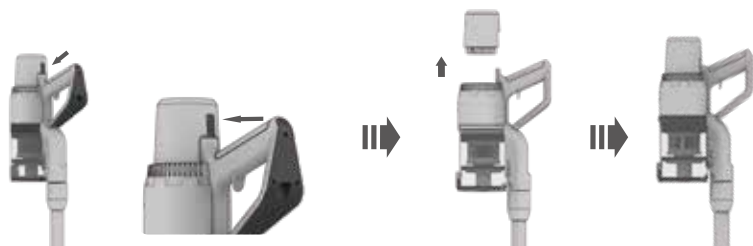
# ASSEMBLING YOUR VACUUM

## Assembling the main body

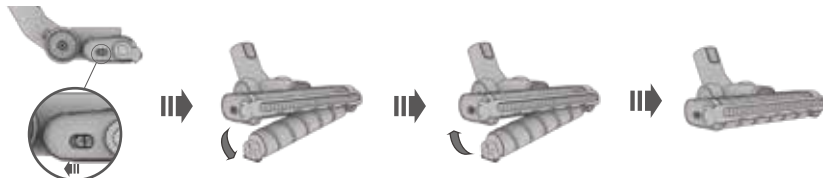


# ASSEMBLING YOUR VACUUM

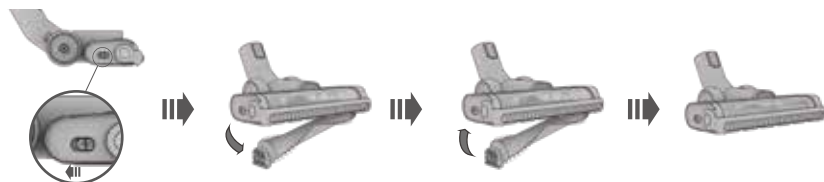
## Assembling the battery



## Assembling the soft roller (For hard floor)

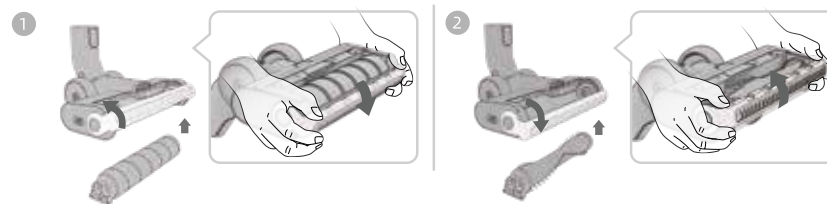


## Assembling the brush roller (For carpet floor)



# ASSEMBLING YOUR VACUUM

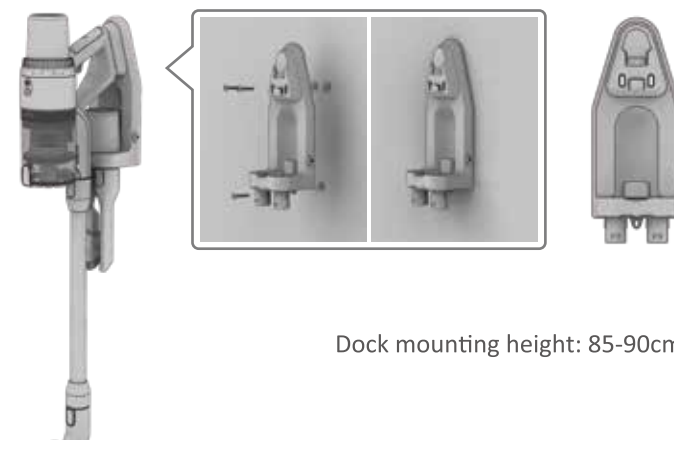
## Mode switch for Hard floor / Carpet floor



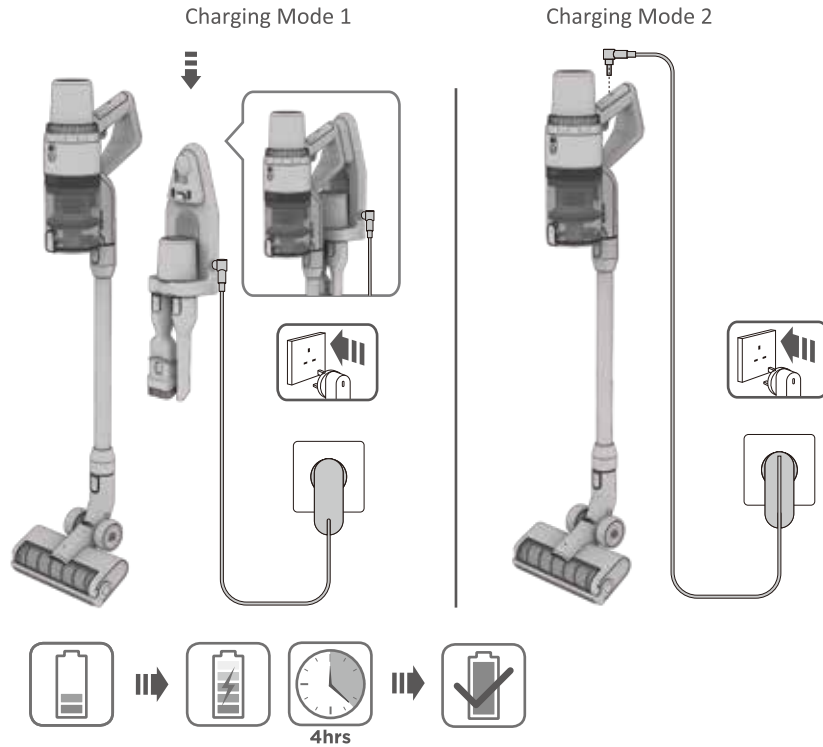
Hard floor mode: Move the bumper as illustrated with soft roller installed. With big opening in the front, sucks up large debris and fine dust from hard floors.

Carpet floor mode: Move the bumper as illustrated with brush roll installed. Closed space creates more suction and direct-drive floor head clean deep into carpet to remove ground-in dirt.

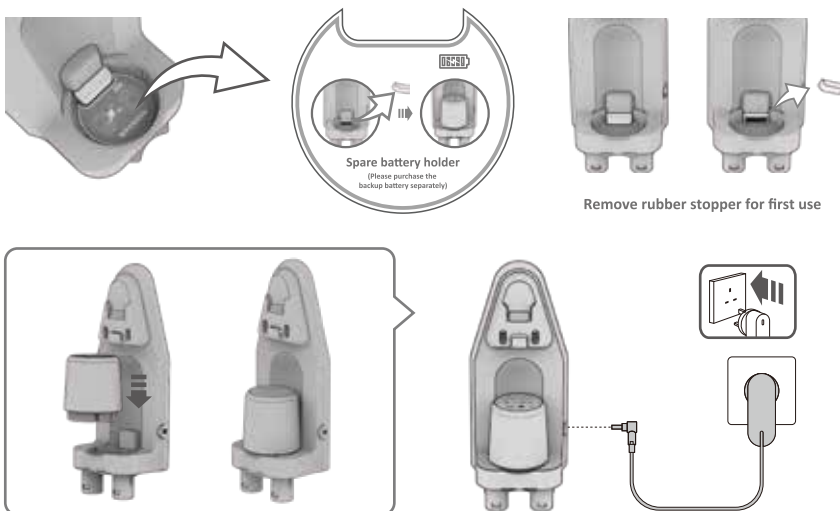
## Install the wall-mounted dock



## Charging and runtime



## Installation for wall-mounted dock



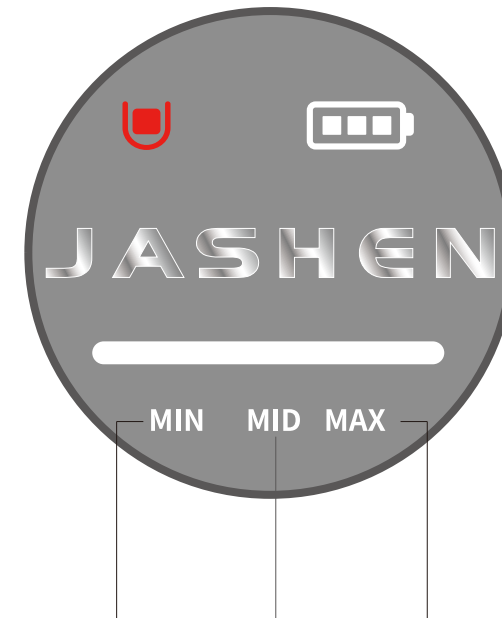
## USING YOUR VACUUM



Filter cleaning alert: Clean filter when this sign light up, ignore this alert may cause suction lose and fast drainage of battery.



Battery indicator: Shows the remaining capacity of battery.



**MIN POWER:** For small amount of dust cleaning.  
**MID POWER:** For everyday cleaning.  
**MAX POWER:** Maximum power for heavy-duty cleaning (this power setting will drain the batteries faster than other settings).

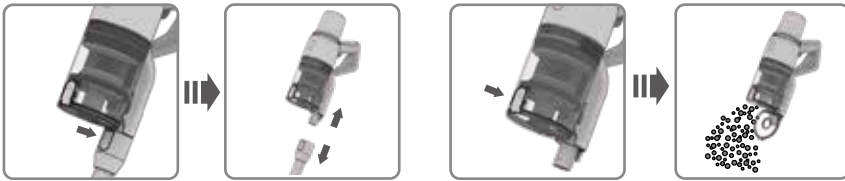
# MAINTAINING YOUR VACUUM

**⚠ WARNING:** Hand wash filters only with water to prevent damage from cleaning chemicals. Allow ALL filters to air-dry completely before replacing them in the vacuum to prevent liquid from being drawn into electric parts.

**CAUTION:** Turn off power and remove power pack before servicing.

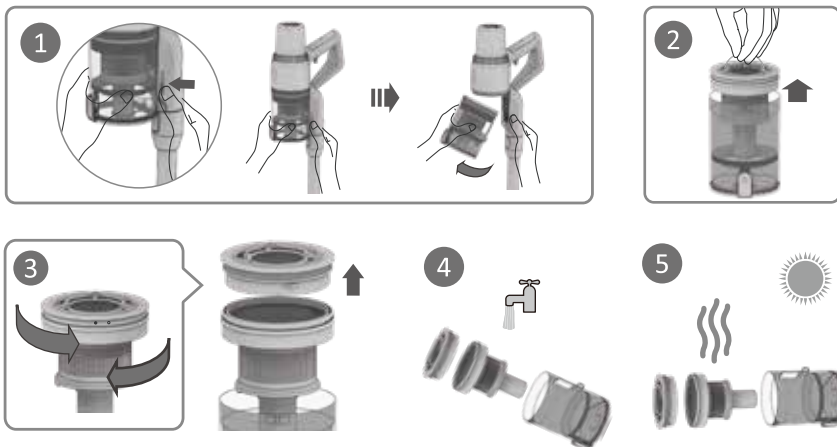
**IMPORTANT:** Clean the dust screen inside the dust cup as required.

**NOTE:** Empty dust cup when debris reaches the MAX fill line.



## EMPTYING THE DUST CUP

- To empty dust cup, first remove the handheld vacuum from the wand by pressing the Wand Release button and pulling up on the handheld vacuum. Position dust cup over a bin, then open the bottom of the dust cup by pressing the Dust Cup release button on the side.



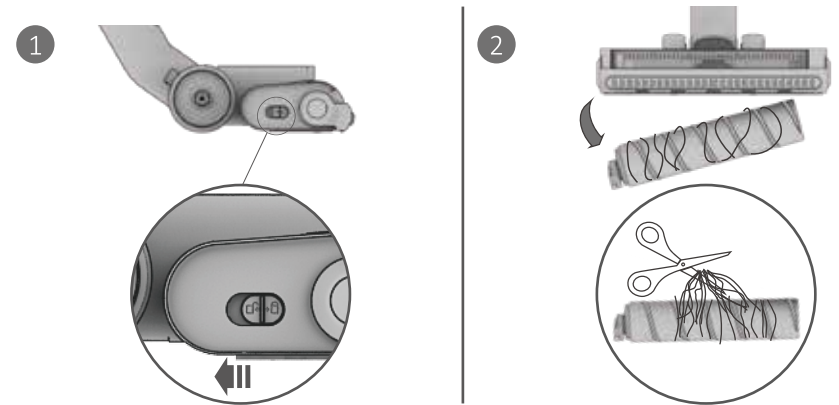
## CLEANING THE DUST CUP AND FILTERS

- To clean the dust cup, remove the dust cup from handheld vacuum and rinse with water. Flush the dirt off as needed. Once dust cup is completely dry, return it to handheld vacuum.
- To clean the filter, remove the filter from dust cup as illustration. Rinse with water. Once completely dry, reinsert the filter to dust cup.

# MAINTAINING YOUR VACCUM

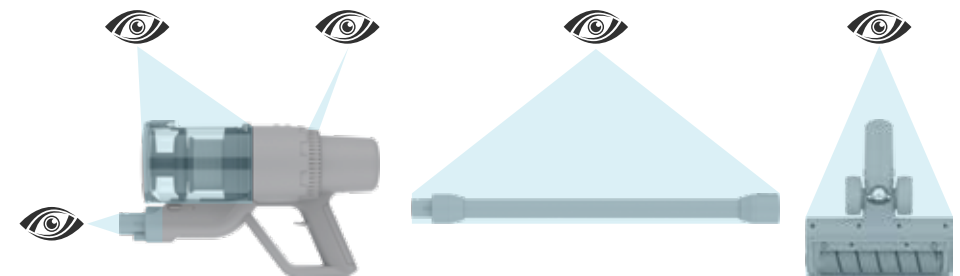
**⚠ WARNING:** When cleaning brush roller, be sure to not cut anything other than hair, string, fibres, or other debris.

**TIP:** Ensure the floor head is completely sealed and closed before using.



## MAINTAINING THE BRUSH ROLLER / SOFT ROLLER

- Release the brush roller/soft roller by sliding the release button, remove any string, hair, or debris that may be wrapped around the brush roller/soft roller by running scissors along the guide on the roller.
- Reinsert the brush roller/soft roller to the floor head, until the release button click into place.
- Wash the Soft Roller as needed, using only water. Air-dry completely for at least 24 hours before returning it to the brush roller garage.



## CHECKING FOR BLOCKAGES: Handheld, Wand, and Floor Head

- Turn off vacuum and remove the battery.
- Remove the wand from the handheld vacuum and check all intake openings.
- Remove the floor head from the wand and check the wand for blockages.



# TROUBLESHOOTING GUIDE

**⚠ WARNING:** To reduce the risk of shock and unintended operation, turn off power and remove power pack before servicing.

Problem	Possible cause	Remedies
The appliance doesn't work	No power AUTO protection for overheated The suction mouth is blocked	Charge the battery according to instructions Turn off appliance, Restart after cooling Check and remove blockages
Hepa cleaning indicator blinking	Dustcup and filters are need cleaning	Empty dust cup and clean filters
Brush Roller/Soft Roller does not spin	Brushroll light flashes, indicate floor head blockage Roller auto protection for overheated Connection issue between the handheld vacuum, wand, and nozzle	Turn off appliance and remove blockage of floor head Turn off appliance ,Restart after cooling Disconnecting and rub the junction point with a soft cloth, reattaching the pieces
Weak suction power	The pre-filter is not installed The appliance is blocked(such as tube, suction mouth or some other parts) The brush roller is wrapped by hairs or fibers	Install the pre-filter Clear blockages Clean the brush roller
Abnormal motor sounds	The appliance is blocked(such as tube, suction mouth or some other parts)	Clear blockages
Battery won't charge	The adaptor is not correctly inserted Poor contact of the main body or battery Wrong charger being used	Reinsert the adaptor correctly Check if the main body and battery are correctly placed Use the original Jashen I type adaptor
Charging too slow	Temperatures outside of the specified range	Charge the battery when the temperature above 50°F (10°C) and below 100°F (38°C)

In any other case or if the solution explained above did not solve the problem, please contact us at [support@jashen-tech.com](mailto:support@jashen-tech.com)

# SPECIFICATION

Model	JS-AV02A02
Battery	25.2V 2500mAh
Rated Power	350W
Dustbin Capacity	0.5L
Charging Time	4 hrs
Charging Output	30V
Running Time	15-40 mins



**WARNING:** The above data is from the JASHEN laboratory, the actual situation may vary according to the use environment.

## Disposal

- The battery contains materials that are harmful to the environment and must be removed from the appliance before it is discarded.
- When removing the battery, the appliance must be powered off.
- Waste batteries should be handled properly. Do not put them into fire, water or soil.
- If the battery leakage touches the skin or clothing, flush with water immediately to avoid skin injury and seek medical help.



# JASHEN

**Visit JASHEN Website :**

 [www.jashen-tech.com](http://www.jashen-tech.com)

**Customer Service Email :**

 [support@jashen-tech.com](mailto:support@jashen-tech.com)

**Call our Customer Service :**

 **1-877-402-9868** (Toll free for North America)

Monday-Friday from 9:00 A.M - 5:00 P.M CST

Illustrations may differ from actual product. We are constantly striving to improve our products; therefore the specifications contained herein are subject to change without notice.

Jashen is a registered trademark of Shenzhen Jashen Technology co.,Ltd