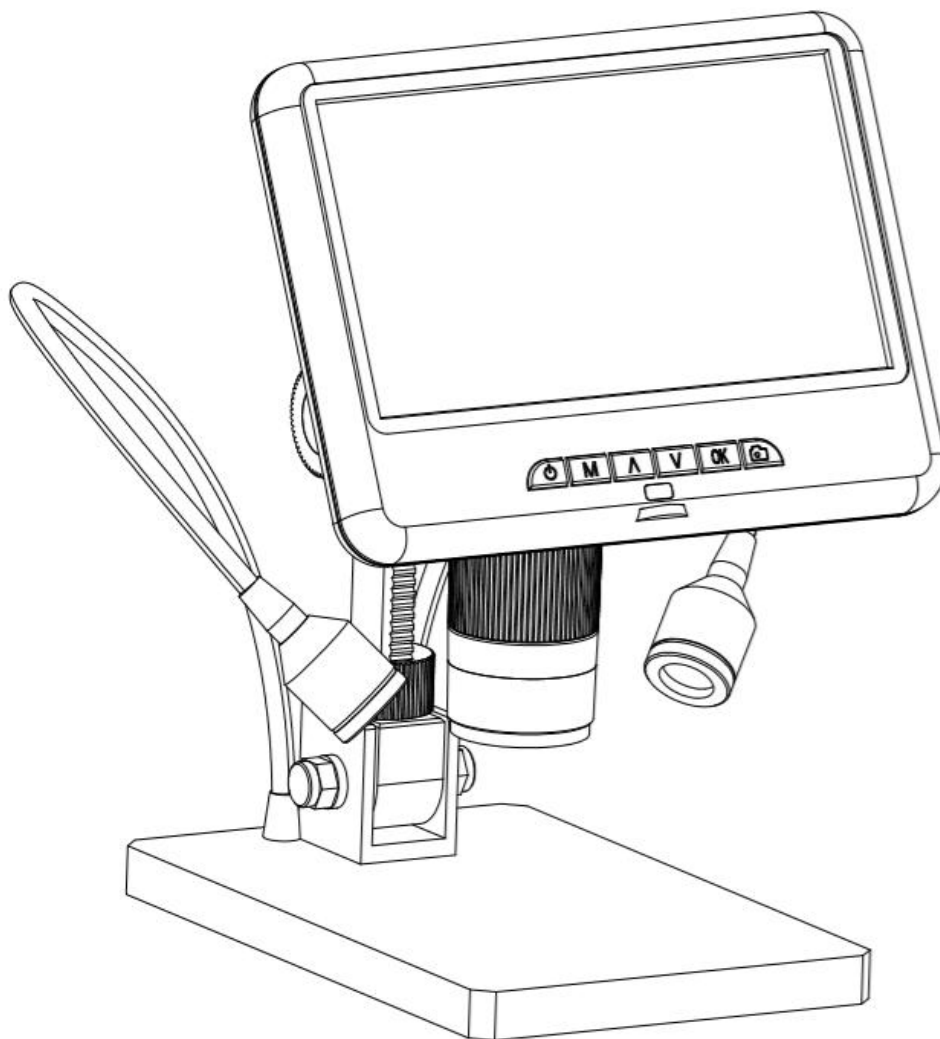


Digital Microscope AD207 Users Manual



LIST OF CONTENTS

Safety and Maintenance.....	2
Basic Parameters.....	2
What's in the box.....	3
Assembly.....	4
Buttons.....	4
Quick start.....	6
Adjusting the Magnification and Focus.....	7
Using a Micro SD Card to Save Images.....	7
Reviewing and Managing Images.....	7
Settings.....	8
Warranty Card.....	10

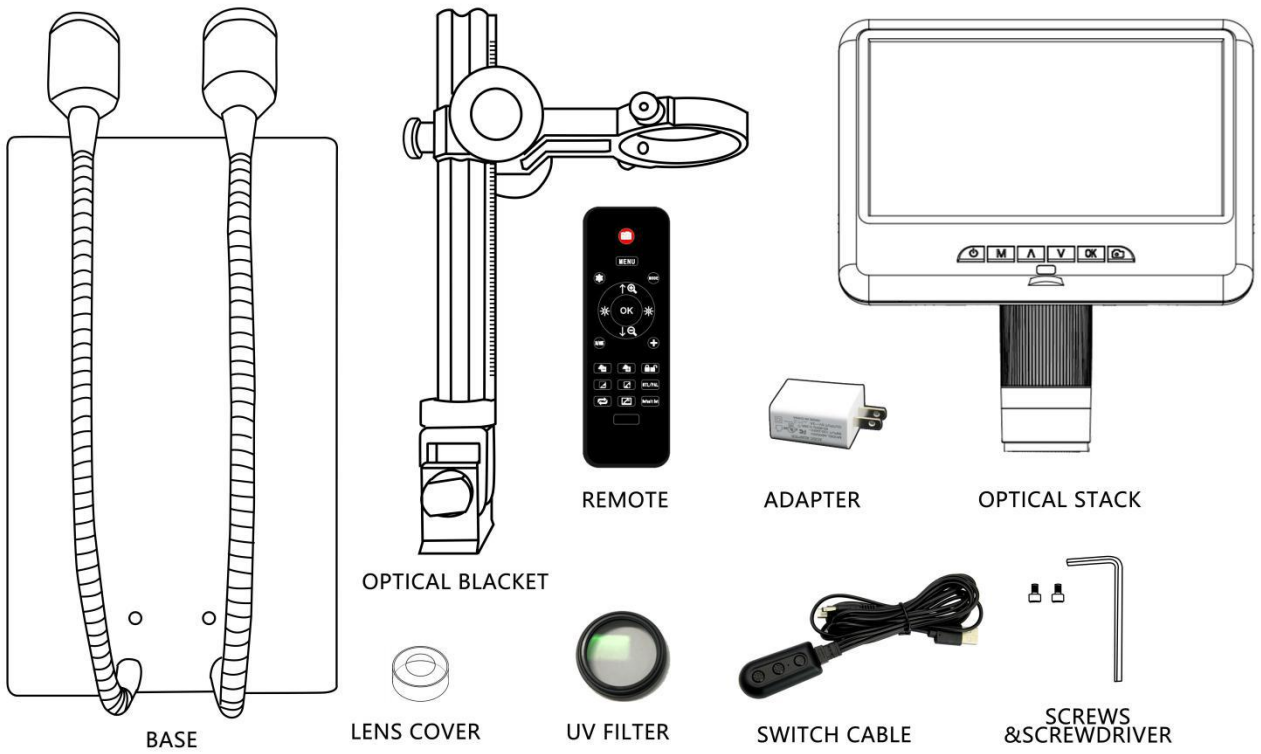
Safety and Maintenance

1. This microscope is safe and low-maintenance, as long as common sense is employed.
2. The assembly includes small parts, particularly the thumbscrews used to hold the main device in place. Do NOT allow unsupervised access by infants or toddlers.
3. The microscope is not intended for field use. It is not waterproof, and should not be exposed to extreme temperatures. Users can refer to the preservation management methods of general electronic equipment, such as laptops.
4. The surface of the lens at the bottom of the main device should be cleaned whenever you start to notice a degradation in image quality. Use a microfiber cleaning cloth with few drops of lens-cleaning fluid on lens cleaning tissues.
5. The rest of the microscope can be cleaned with a damp cloth.
6. The display on the device is very fragile. Please use it with care. Do not drop, press hard or touch the display with sharp objects. The display is not waterproof, please clean it with dry and soft material. Do not press the display when adjusting the angle of the display.

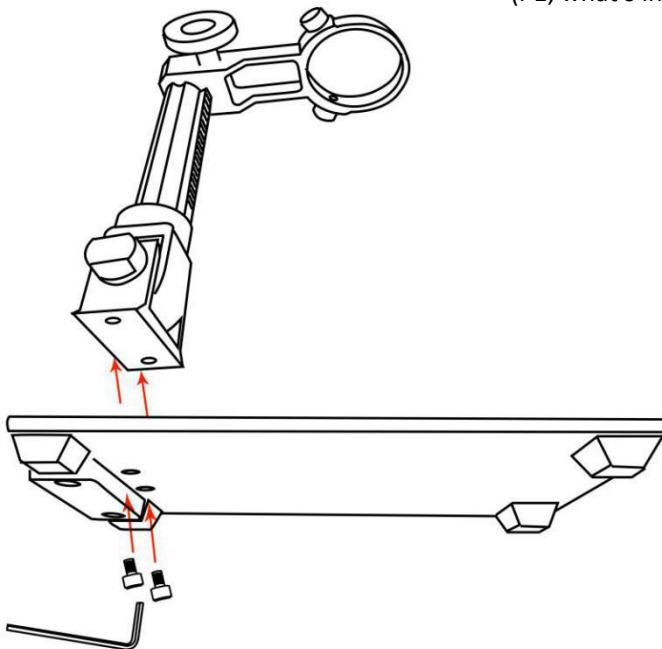
Basic Parameters

Image sensor	2 Mega Pixels HD Sensor
Video output	FHD1920X1080 30FPS; HD1280X720 30FPS
Video format	MOV
Magnification Ratio	Up to 100X
Photo resolution	1920X1080
Photo format	JPG
Minimum focus distance	6cm - 18cm
Frame Rate	Max 30 f/s
Storage	Micro-SD card, up to 32G
PC support	No
Power source	5V DC
Stand size	20cm*12cm*19cm
Screen size	7 inch
Package Included	Microscope×1 Metal stand×1 IR remote×1 Power adapter×1 Switch cable×1 Lens cover ×1 UV filter×1 Instructions×1
Packing data	1.55KG/32*22*10CM

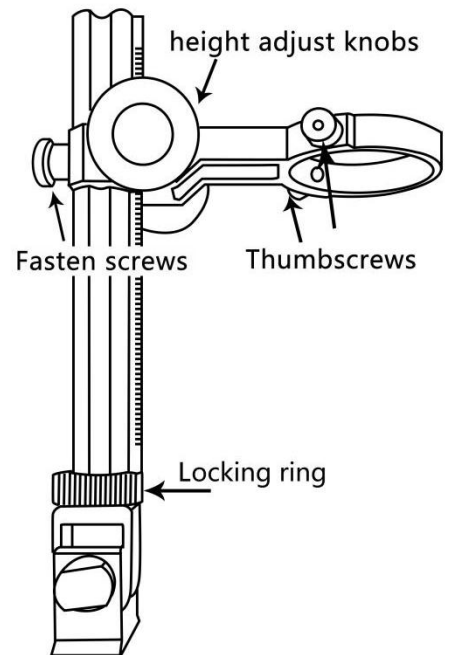
What's in the box



(P1, what's in the box)



(P2, Assembly1)



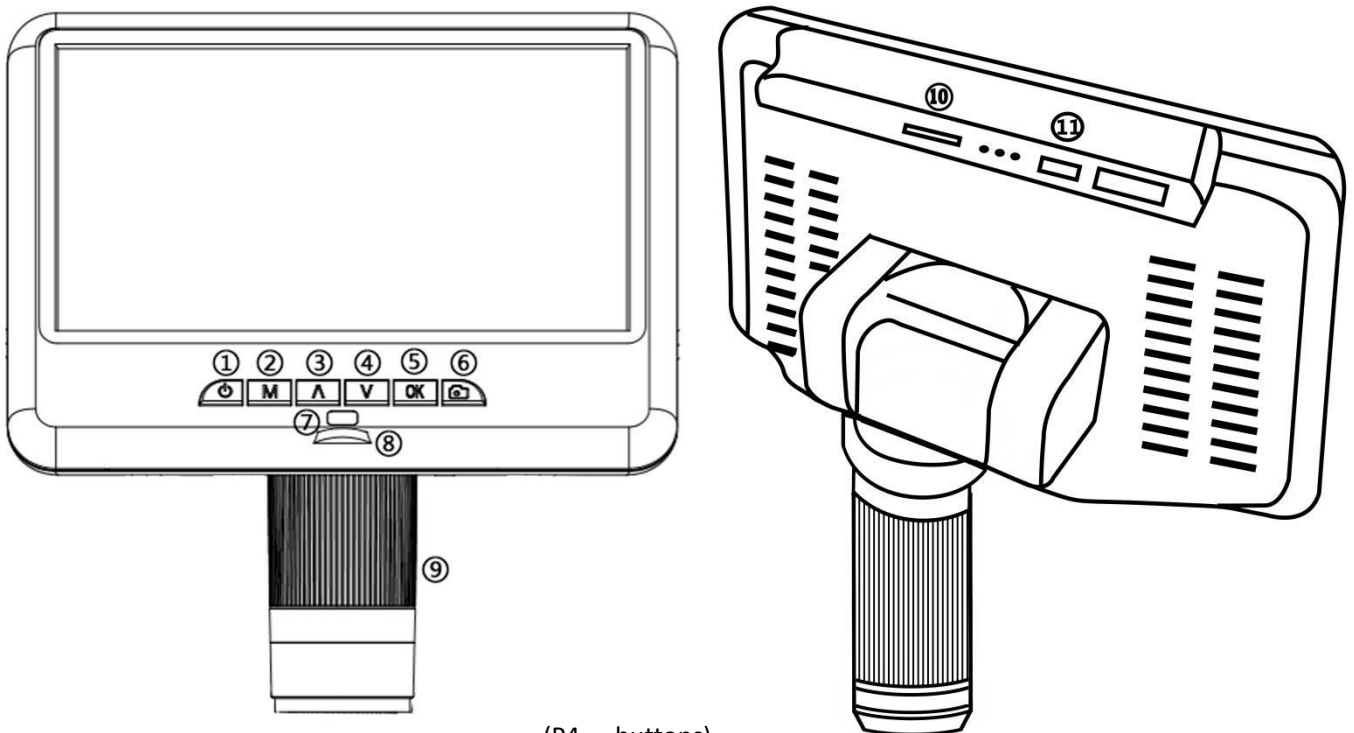
(P3, Assembly2)

Assembly

1. Screw the optical bracket on to the base (see the left picture above, P2).
2. Once you have done so, if the bracket is not aligned over the base, unscrew the locking ring, adjust the bracket's direction, and then turn the locking ring clockwise until it is tight. (By doing this, it is still possible for you to hold the base and turn the bracket if sufficient force is applied, but it will not spin freely.)
3. Loosen the small thumbscrews on the optical bracket.
4. Slide the optical stack in to the ring of the optical bracket.
5. Tighten the thumbscrews to hold the optical stack in place.

If done correctly, you should be able to not just turn the focus controller of the optical stack freely, but also freely adjust the monitor, the angle between the base and the optical bracket, while the rest of microscope remains in place. If you have any question or problem for assembly, please contact us as soon as possible to ensure that you won't damage the device during assembly.

Buttons



(P4, buttons)

- ① Power on/off
- ② Mode/menu
- ③ Up
- ④ Down
- ⑤ OK/Start video record
- ⑥ Picture capture
- ⑦ Infrared sensor (when you are using

- the remote, please point the remote to this so the device would response)
- ⑧ Light controller
- ⑨ Focus controller
- ⑩ Memory card slot
- ⑪ USB port



(P5, remote buttons)

- *Frozen: Keep the image on the screen. It works at standby mode.
- *Zoom in&out: digital zooming up to 4 times.
- *Brightness up&down: exposure compensation from +2.0 to -2.0.
- *Line Settings: ‘+’ on the remote is for net line setting.
- *Sharpness up&down: there are three levels of sharpness: Soft/Normal/Strong. Those two buttons are both used to switch the levels, but in different orders.
- *Contrast up&down: same principle as Sharpness.
- *Image Rotate: refer to pictures in below:

Normal

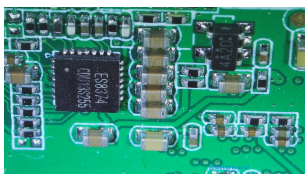


Image Rotate

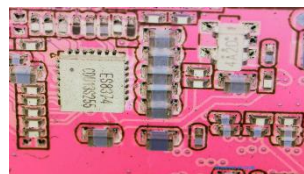


- *Inverse: refer to pictures in below:

Normal

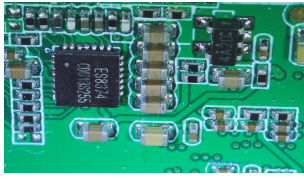


Inverse

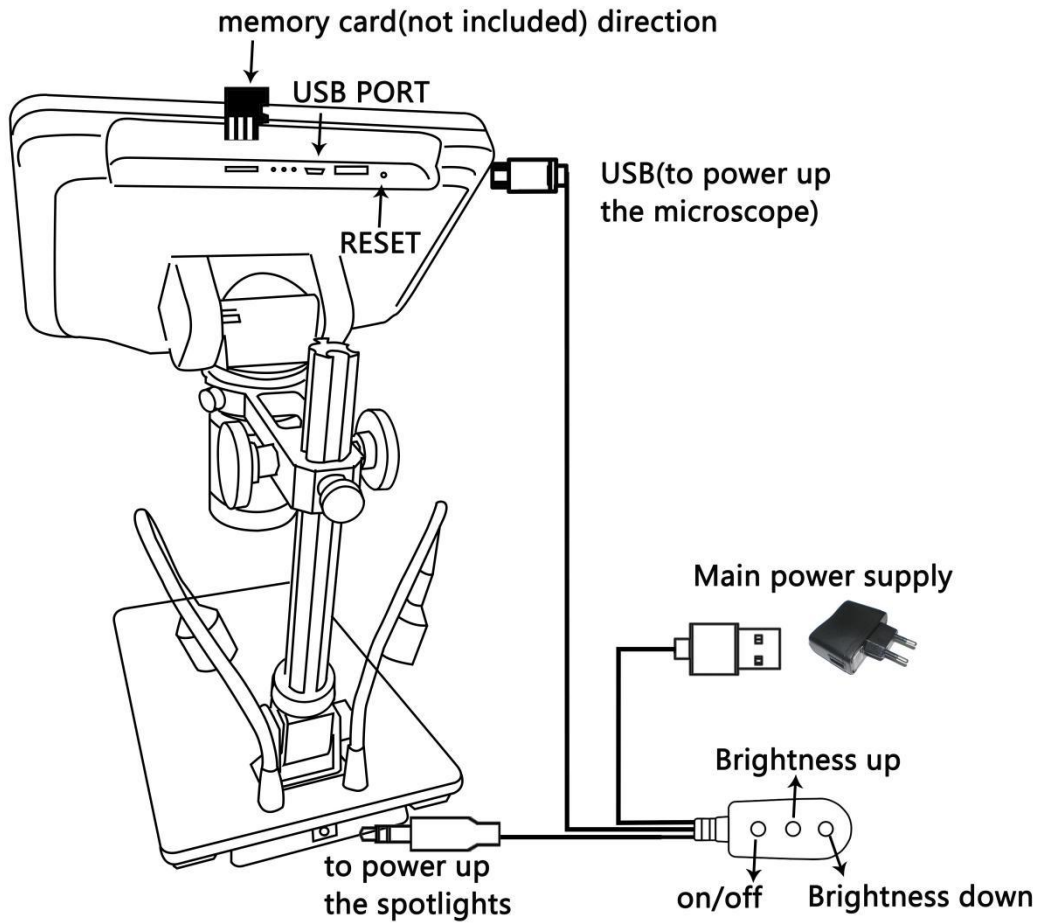
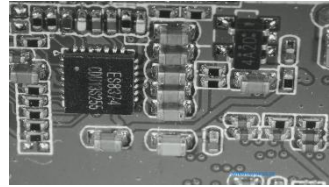


*Black & White: refer to pictures in below:

Normal



Black & White



(P6 connect)

Quick start

Connect

To use the microscope stand alone, you need to connect the optical stack to the power supply via the switch cable. See the picture(P6) above.

Switch on

Then press and hold the Power button (① from the P4 “Buttons”) underneath the display until the display turns on. (It may turn on automatically while connecting cables at the first time, and it’s totally fine.)

*Troubleshooting

If the display freezes, locate the “reset ” hole on the back of the monitor. Use a narrow object such as an unfolded paperclip to depress the button located inside. This resets all settings to their factory values and restarts the display. It does not erase saved images or video.

Adjusting the Magnification and Focus

①Use the large knobs on the optical bracket to raise or lower the optical stack to the desired height. The lower the height, the greater the magnification is. But be careful not to let the bottom of the stack contact the object being imaged. (Note that you may need to reposition the spotlights as you move the stack up or down.) Turn the Focus controller(⑨ from the P4 “Buttons”) to focus the image.

②To increase the digital magnification, press and hold the Up button (③ from the P4 “Buttons”) until the desired digital magnification(up to an additional 4x beyond the optical magnification: Normal-2X-4X) is reached. Use the Down (number ④ from the picture “Buttons”) button to decrease the digital magnification.

Using a Micro SD Card to Save Images

*If SD card is not inserted, you can not record or capture.

By using a Micro SD card (not provided), you can save images and videos to review later or export to a computer or other devices .

Insert the Micro SD card in to the TF slot on top back of the monitor. (be careful with the direction. The side which has metal exposed, should face down. See the picture 6)

Push it in until you hear a click. (If you don't push it in far enough, it will be ejected.)

*If you insert the card while the microscope's working, the device would switch off automatically. Press the Power button and hold it until the screen lights up again.

After turning on, the microscope is in standby mode. The green font ‘STBY’ will show up on the screen(on the left top). In this mode, you can record videos, capture photos and complete settings.

To record videos

Press the OK button(⑤) briefly to begin recording. The elapsed time(red color) in the recording will appear at the top left. To stop recording, hit the OK button again. The OK button on the remote has the same function.

To Capture pictures

Press the Picture Capture button(⑥)(Marked with a camera) briefly to capture an image. The picture capture button on the remote has the same function.

Reviewing and Managing Images.

To review videos and photos on the microscope's own display, briefly press the Mode (M) button on display, then it shows up two folders: “Video” and “Photo” . Use the “up” and “down” button to choose folders, then press the “OK” button to review all videos or photos, and press the “OK” button once to review a single photo or play a single video. To pause the video, press the "OK" button again. When reviewing an photo or video, you can easily manage and delete it. In Briefly press the “Photo” button and the option menus will show up on the screen. Use the up and down buttons to select whether



to delete the currently selected file or not.

When reviewing an photo or video, how to exit?

- 1: Use "Mode" (M button). Briefly press the “M” button once, you will be back to all video or photo pages;
- 2: Briefly press the “M” button twice, you will be back to the video and photo folder;
- 3: Briefly press the “M” button third times, you will be back to the standby mode.



Settings

In standby mode, press the M button and hold it for a while until the Menu shows up on the display (Or press MENU button on the remote). Please refer to the following picture.

 	1/2
Video Resolution	FHD 30fps >
Sound Record	Off >
Exposure	0 >
White Balance	Auto >
Color	Natural >
Contrast	0
Saturation	0

(P7, video menu)

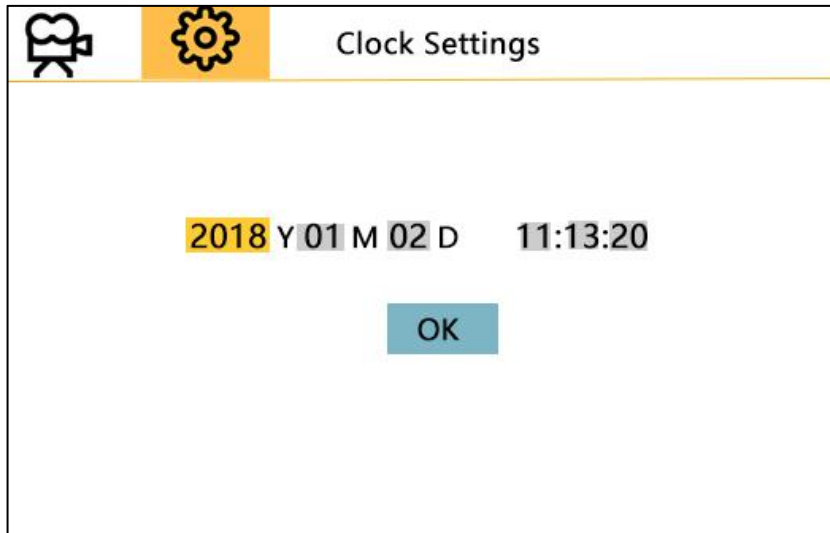
Then, press MENU button (or M on the monitor) again, you get into the Setup menu, like this:

 	1/2
Clock Settings	>
Date Format	YYYY MM DD>
Watermark	Date>
Language	English >
Frequency	50 Hz >
Format SD-Card	>
Reset Setup	>

(P8, setup menu)

Date/Time:

Press “OK” into Clock Settings(Date/time settings). Use “Up” and “Down” to select the correct number for year/month/day. Once you finish setting a number, press “OK” on the monitor to reach the next number. By analogy, after the settings are completed, continue to press the "OK" button to exit the settings.



(P9, Date/time setting)

Save settings:

After you set everything right, you should turn off the device by pressing ON/OFF button **on the monitor** and hold it until the device switching off.

If you turn off the device by pressing the button on the switch cable, or just simply cut off the power supply, the setting would not be saved.

Warranty Card

Warranty Card		
User's name:	Address:	
Phone number:	Post code:	email:
Model name:	Purchase date:	
Fault feedback:		
Date:	Fault:	
Notice:		
Our warranty doesn't cover:		
1	If users can not provide the purchase proof or the Warranty.	
2	If users use it in an improper environment, such as incompatible power supply, high temperature environment etc.	
3	If the fault caused by accident, oversight, misoperation or natural disasters etc.	
4	If the fault caused by people who are not belong to authorized organizations of our company during repacking, repair, dismantle, Or if users repack, repair or dismantle the device not following our advice.	
5	Out of warranty period.	