

# Components list

Thank you for choosing our products. Please read the assembly steps and user manual carefully before use.

If you have any problems with the use and assembly, please feel free to contact us.

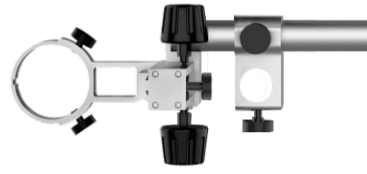
We will reply within 24H (there may be a delay on holidays). We appreciate the opportunity to serve you, your satisfaction is our utmost priority!



①Microscope Monitor



②Base



③Beam



④Column



⑤Screw x2



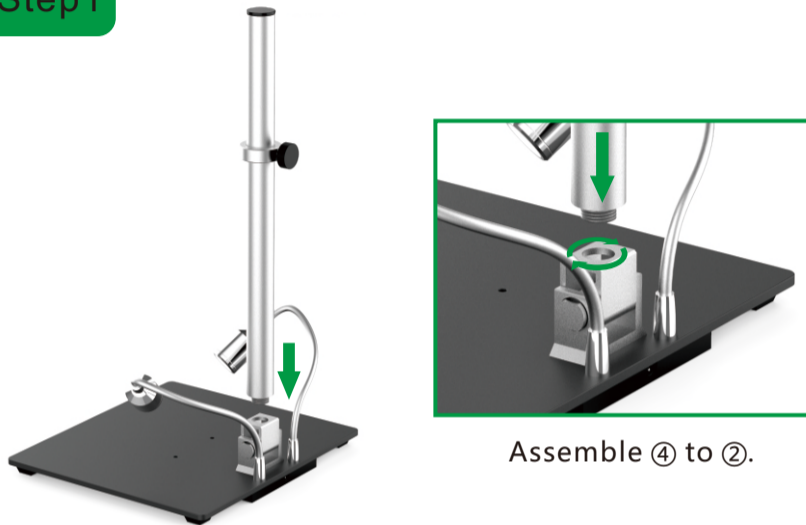
⑥Spring x2



⑦Metal clip x2

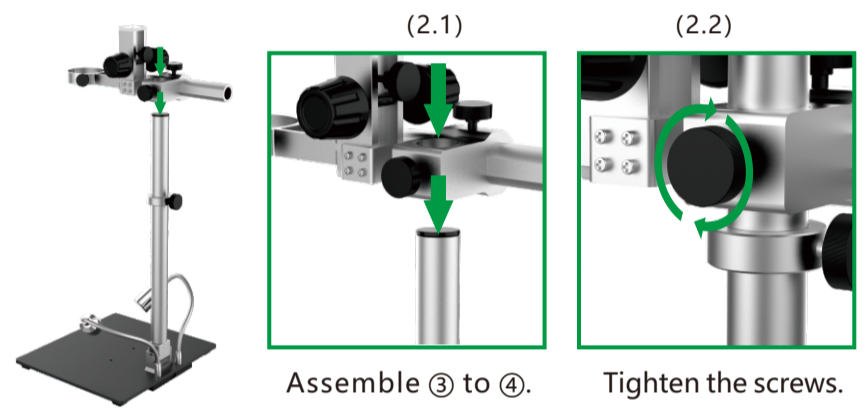
## Assembly steps

### Step1



Assemble ④ to ②.

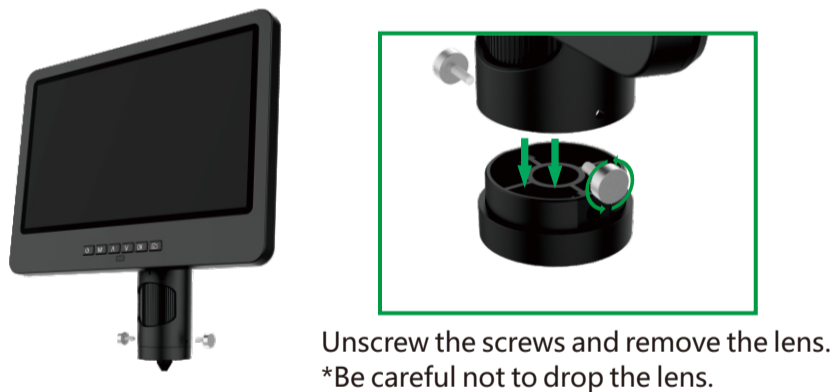
### Step2



Assemble ③ to ④.

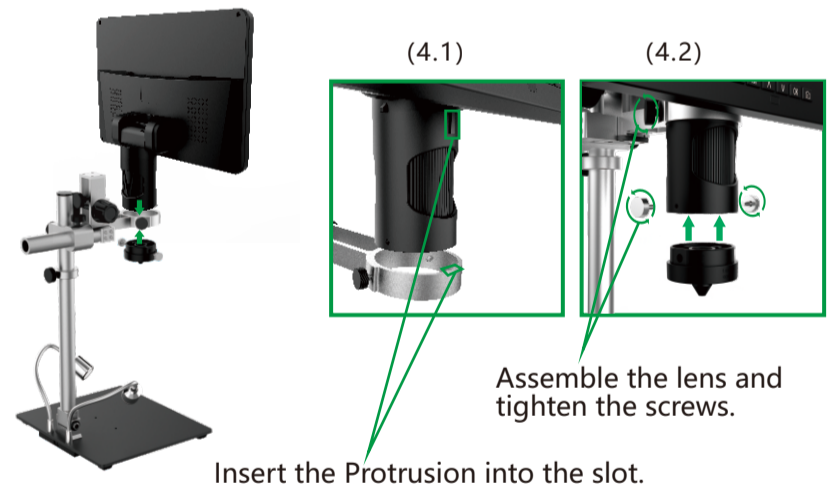
Tighten the screws.

### Step3



Unscrew the screws and remove the lens.  
\*Be careful not to drop the lens.

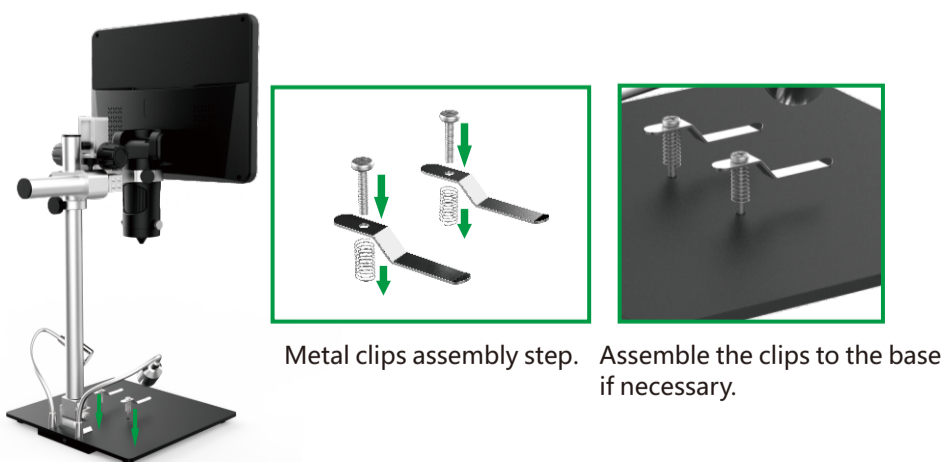
### Step4



Insert the Protrusion into the slot.

Assemble the lens and tighten the screws.

### Step5



Metal clips assembly step. Assemble the clips to the base if necessary.

### Step6



When observing with lens D, slot in the DC power supply.